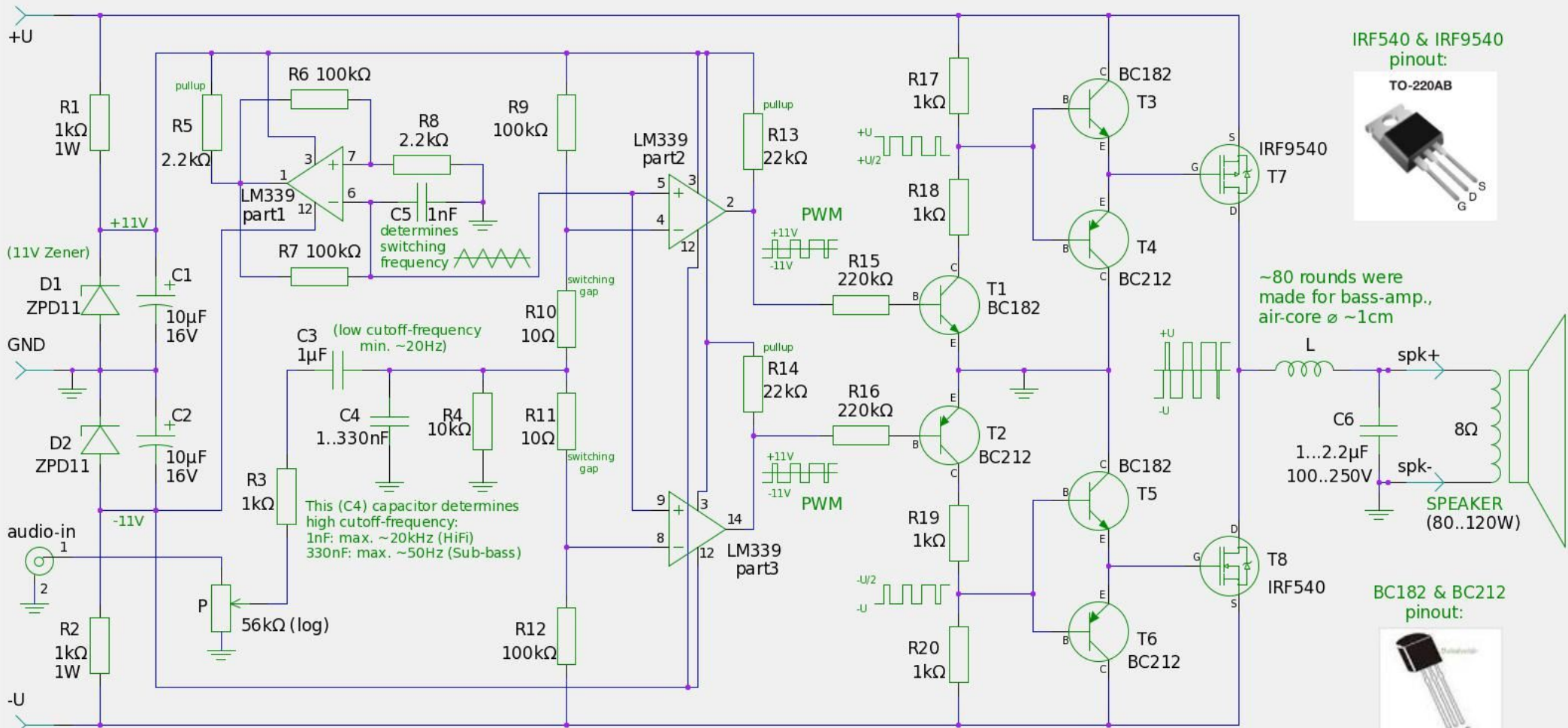
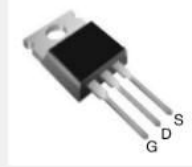


+20..30V (tested on 27V)



-20..30V (tested on -27V)

IRF540 & IRF9540
pinout:
TO-220AB

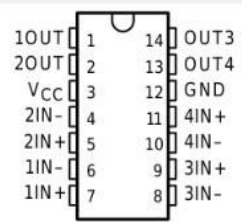


~80 rounds were made for bass-amp.,
air-core \varnothing ~1cm

BC182 & BC212
pinout:



LM339
pinout:



Hermit's D-class (PWM switching-mode) amplifier

TITLE

(Designed, built, tested in 2004, schematic released in 2015.)

FILE: Hermit-Dclass-amp.sch

REVISION: {tool: gEDA gschem} Hungary 2015

PAGE 1 OF 1

DRAWN BY: Hermit (Horváth Mihály) hermit@t-email.hu