

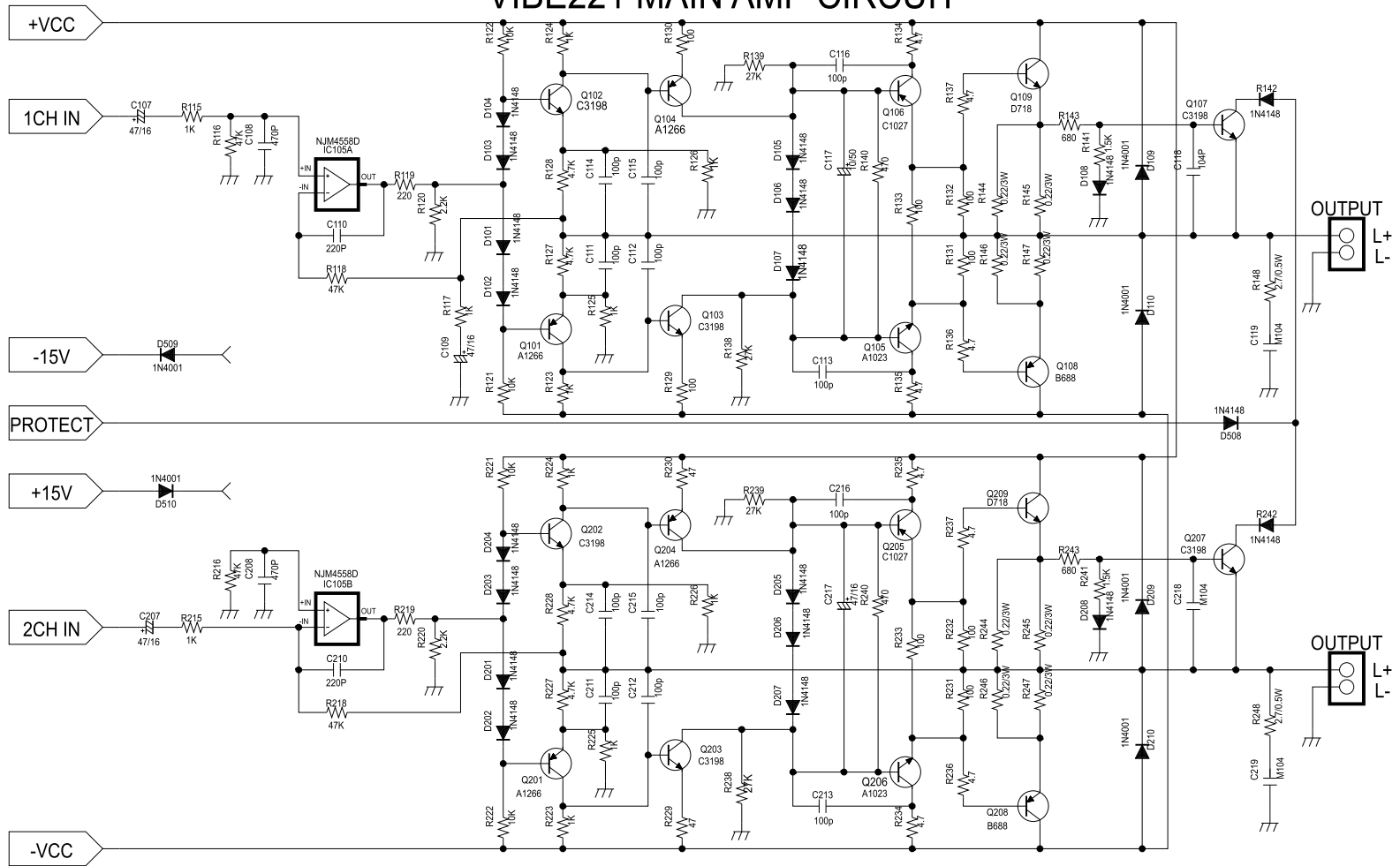
VIBE-211/221 PREAMP CIRCUIT

ISU	SYMBOL NO.	SPECIFICATION	DATE
▲			
▲			
▲			
▲			
▲			

	DRAFTED	CHECKED	APPROVED

TITLE	SCHEMATIC	DATE	2001 / 02 / 20
HAN MEE ELECTRONICS CO., LTD		MODEL NO : VIBE211/221	

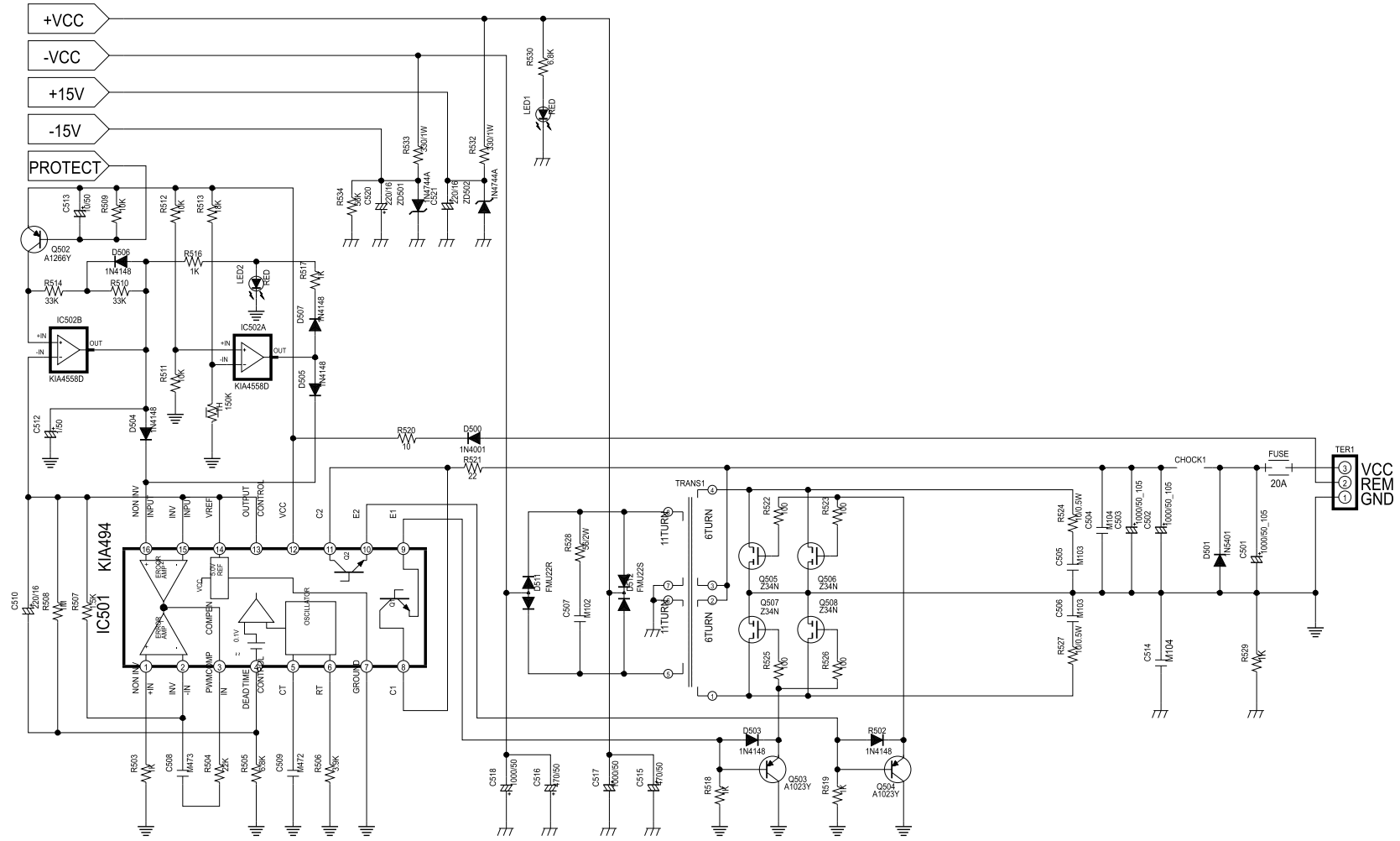
VIBE221 MAIN AMP CIRCUIT



ISU	SYMBOL NO.	SPECIFICATION	DATE	DRAFTED	CHECKED	APPROVED
△						
△						
△						
△						

TITLE	SCHEMATIC	DATE	2001 / 02 / 20
HAN MEE ELECTRONICS CO., LTD		MODEL NO : VIBE221	

VIBE221 POWER CONTROL CIRCUIT



ISU	SYMBOL NO.	SPECIFICATION	DATE
▲			
▲			
▲			
▲			

DRAFTED	CHECKED	APPROVED

TITLE	SCHEMATIC	DATE	2001 / 02 / 20
HAN MEE ELECTRONICS CO., LTD		MODEL NO : VIBE221	