

MAIN PCB NOTES

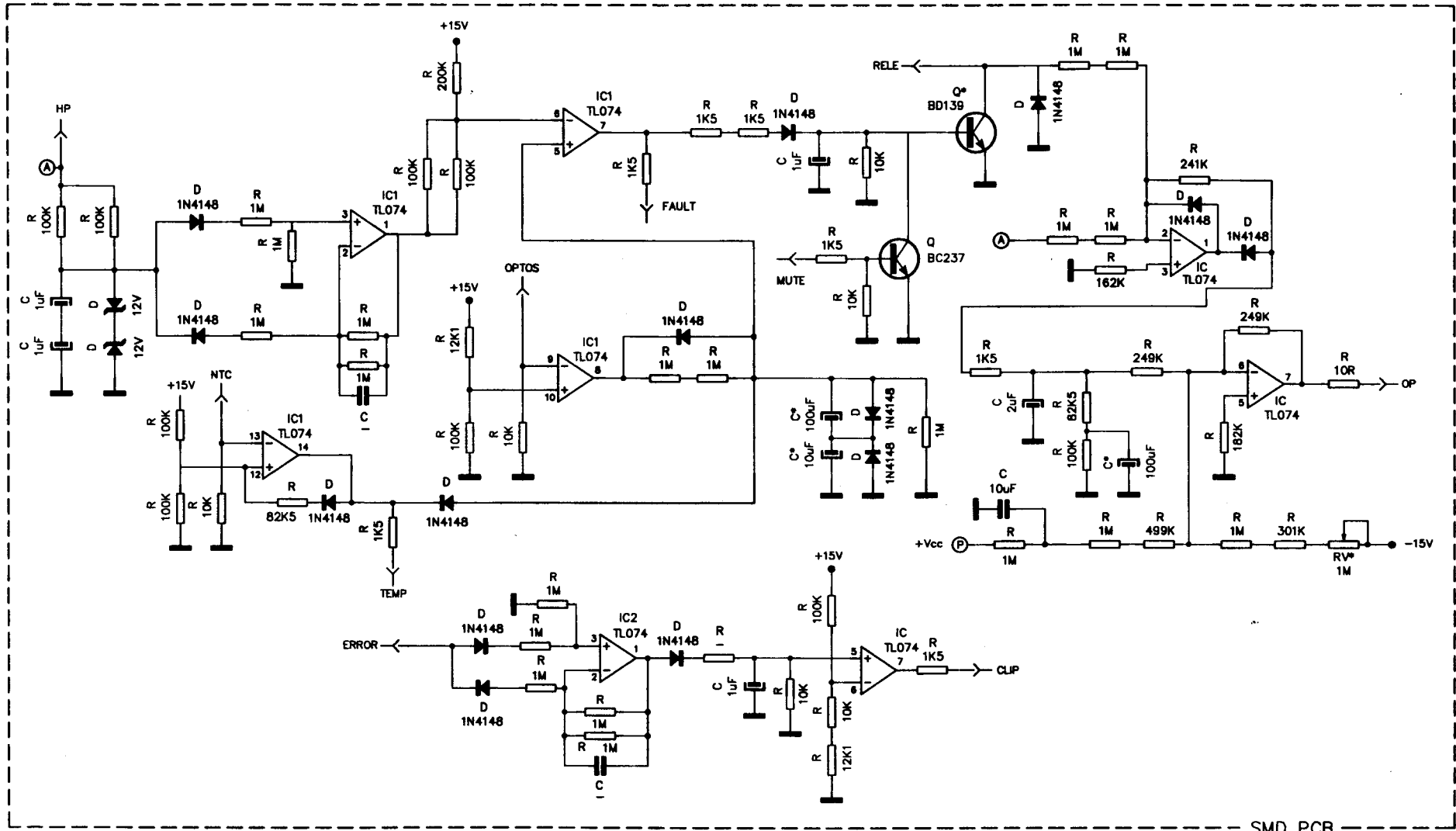
1. All resistors 1/4W, 1% unless noted.
2. All capacitors 50V unless noted.
3. All diodes 1N4148 unless noted.
4. CH-B identical to CH-A.

5. * Ref according to model:

Model	F1,2	C28,31	C26,27,29,30	Q15,20	Q16,21	Q17,22
BU-1000	10A	10uF 100V	-	R45,50	R46,51	R47,52
BU-1400	15A	10uF 100V	-	*	*	*
BU-1600	15A	10uF 100V	-	*	*	*
BU-2000	20A	-	10uF 100V	*	*	*

* mounted component

DRAWN	DATE	RAM BU SERIES
DESIGN	7/98	
REPLACE	11/97	
REPLACED BY	12/97	
REF.		MAIN & INPUT PCB
SIZE	DWG NO.	
A4	SCHBU.DWG	
SHEET 1 of 3		



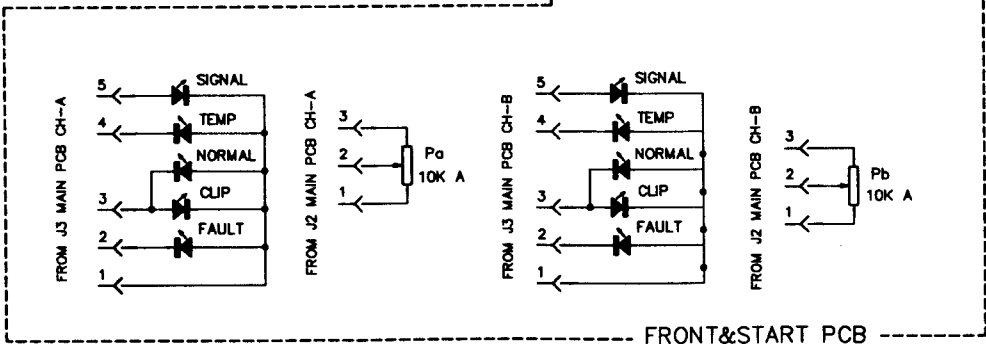
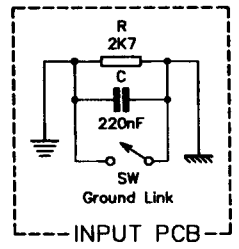
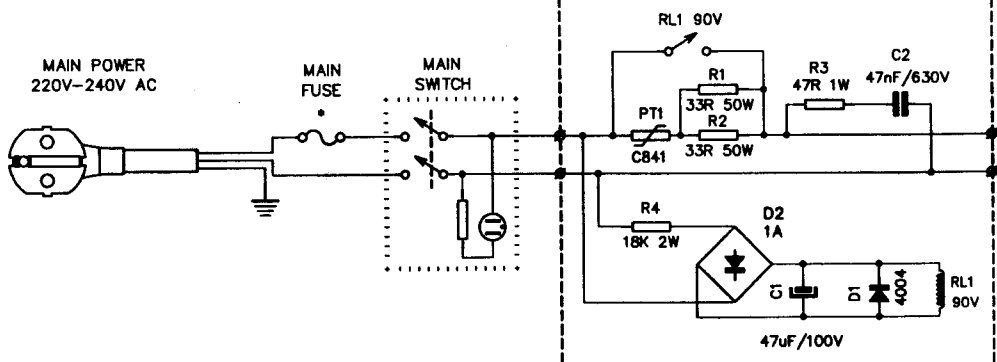
SMD PCB NOTES

1. * Ref are non SMD components.
2. MAIN to SMD PCB connectors signal names:

J4	J5	J6	J7
HP	TEMP	+15V	ERROR
FAULT	NTC	-15V	GND
MUTE	OPTO	OP	GND
RELE		+VCC	CLIP

DRAWN	DATE	
DESIGN	7/98	
REPLACE	11/97	REF.
REPLACED BY	12/97	SMD PCB
	SIZE	DWG NO.
	A4	SCHBU.DWG
		SHEET 2 OF 3

REVISIONS				
ZONE	REV	DESCRIPTION	DATE	APPROVED



POWER SUPPLY NOTES

1. * Ref according to model:

Model	MAIN FU	MAIN TR	BRIDGE 1	C1,C2	C3,C4
BU-1000	10A	2x65V 0.7KVA	-	10000uF 100V	-
BU-1400	10A	2x68V 1.5KVA	-	10000uF 100V	-
BU-1600	16A	4x68V 1.8KVA	35A	15000uF 120V	10000uF 100V
BU-2000	16A	4x78V 2.2KVA	35A	15000uF 120V	15000uF 120V

2. For 110/120V AC Main Power:

Model	MAIN FUSE	R1,R2	R4	C1
BU-1000	20A	-	-	-
BU-1400	20A	-	-	-
BU-1600	30A	15R/50W	5K6/0.5W	2x100uF/100V
BU-2000	30A	15R/50W	5K6/0.5W	2x100uF/100V

DRAWN	DATE	RAM BU SERIES
DESIGN	REF.	
REPLACE	SIZE	
REPLACED BY	DWG NO.	
	7/98	TRANSF., FR&ST PCB
	11/97	
	12/97	SCHBU.DWG
		SHEET 3 of 3