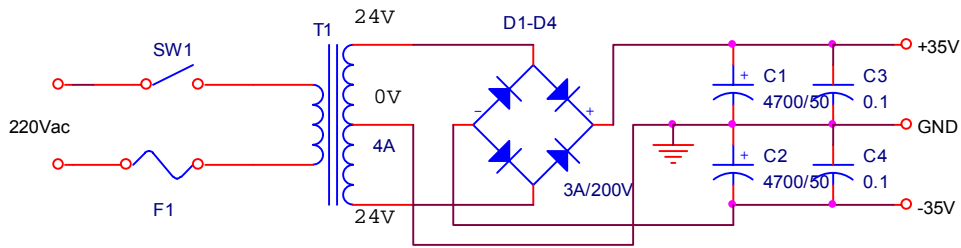
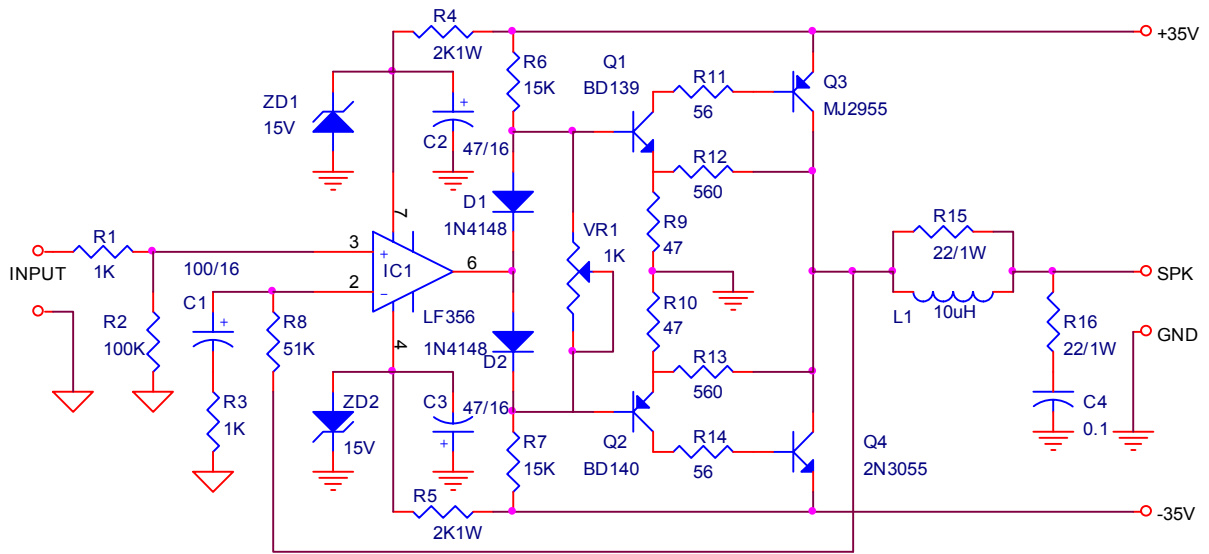
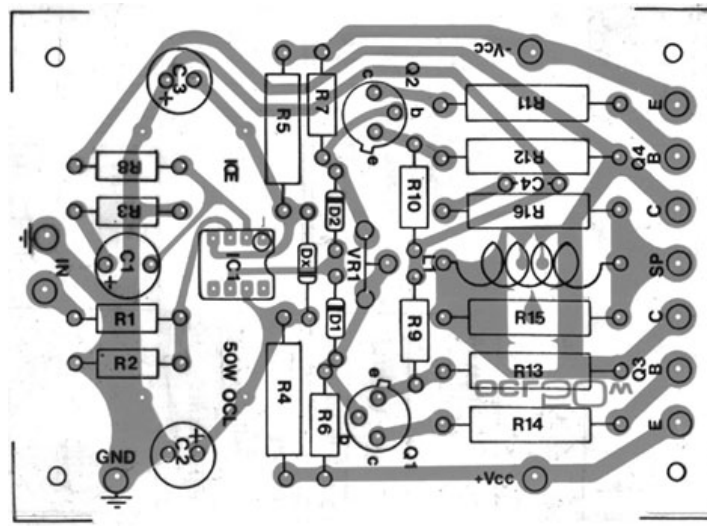


www.ice.co.th
50W OCL



POWER SUPPLY



PCB & Component Layout
ice@ice.co.th