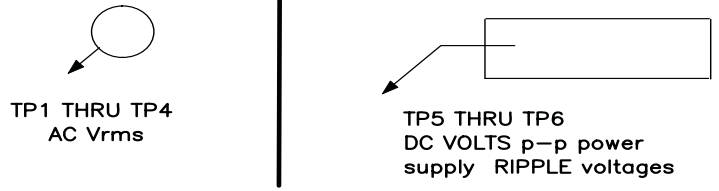


NOTE: SET BIAS VOLTAGE FROM COLD START ACROSS R12, R16, R20 & R27 15 -20 mV DC AVERAGE , NO SIGNAL, NO LOAD.

CAUTION:
THIS SCHEMATIC IS PROVIDED FOR USE BY QUALIFIED PERSONNEL. TO AVOID RISK OF ELECTRIC SHOCK, REFER SERVICING TO QUALIFIED SERVICE PERSONNEL. DO NOT PERFORM ANY SERVICING BEYOND THAT EXPLAINED IN THE OPERATING INSTRUCTIONS.

- NOTES:
- 1) CAUTION! SHOCK HAZARD!! THIS UNIT CONTAINS HAZARDOUS VOLTAGE. DISCONNECT POWER AND BE SURE POWER SUPPLY IS DISCHARGED BEFORE TOUCHING INTERNAL PARTS.
 - 2) UNLESS NOTED, RESISTOR VALUES IN OHMS, 1/4W-5% TOL. CAPACITOR VALUES IN MICROFARADS, 50V-10% TOL.
 - 3) VOLTAGES ARE MEASURED WITH 1 MEGOHM OSCILLOSCOPE AND 10 MEGOHM DIGITAL VOLTMETER.

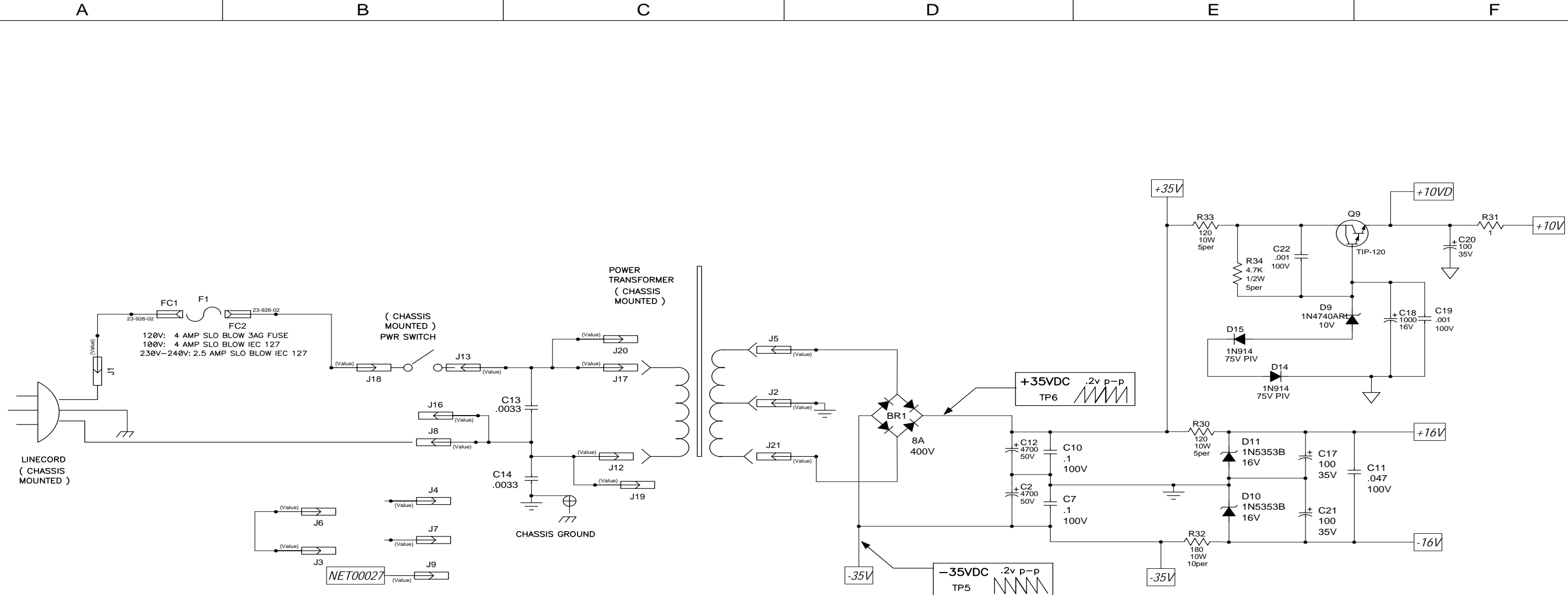


REV	Date	DESCRIPTION	Ecr(s)/Ecn(s)	Chgd By	Appvd by	Date
0	2/24/04	CONTROL ISSUE	-	-	-	-
A	1/20/04	INITIAL ISSUE	-	-	-	-

THE INFORMATION CONTAINED ON THIS DRAWING IS PROPRIETARY TO ST. LOUIS MUSIC, INC.

Signatures:	Date:	 1901 Congressional Drive, St. Louis, MO 63146
Drawn: DJR	5/28/03	
Checked:	-	First Used On:
Released:	-	-

Plot Date: Tue Feb 24, 2004	Drawing Size: C	Drawing Title: SCHEMATIC -BASS AMP
Plot Time: 07:14:52	Drawing Type: Schematic	Drawing Number: 07S473
Tolerance:	Class Code: NONE	Sheet 1 of 2



CAUTION:
 THIS SCHEMATIC IS PROVIDED FOR USE BY QUALIFIED PERSONNEL...
 TO AVOID RISK OF ELECTRIC SHOCK, REFER SERVICING TO QUALIFIED
 SERVICE PERSONNEL. DO NOT PERFORM ANY SERVICING BEYOND
 THAT EXPLAINED IN THE OPERATING INSTRUCTIONS.

- NOTES:**
- 1) CAUTION: SHOCK HAZARD!!
 THIS UNIT CONTAINS HAZARDOUS VOLTAGE. DISCONNECT POWER
 AND BE SURE POWER SUPPLY IS DISCHARGED BEFORE
 TOUCHING INTERNAL PARTS.
 - 2) UNLESS NOTED, RESISTOR VALUES IN OHMS, 1/4W-5% TOL.
 CAPACITOR VALUES IN MICROFARADS, 50V-10% TOL.
 - 3) VOLTAGES ARE MEASURED WITH 1 MEGOHM OSCILLOSCOPE
 AND 10 MEGOHM DIGITAL VOLTMETER.

-	-	-	-	-	-	-
0	2/24/04	CONTROL ISSUE	-	-	-	-
A	1/20/04	INITIAL ISSUE	-	-	-	-
REV	Date	DESCRIPTION	Ecr(s)/Ecn(s)	Chgd By	Appvd by	Date
THE INFORMATION CONTAINED ON THIS DRAWING IS PROPRIETARY TO ST. LOUIS MUSIC, INC.						
Signatures:			Date:		 1901 Congressional Drive, St. Louis, MO 63146	
Drawn: DJR		5/28/03				
Checked: -			-		First Used On: -	
Released: -			-		-	
Plot Date: Tue Feb 24, 2004		Drawing Size: C		Drawing Title:		
Plot Time: 07:14:54		Drawing Type: Schematic		SCHEMATIC -BASS AMP		
Tolerance:		Class Code: NONE		Drawing Number:		
		Sheet 2 of 2		07S473		