

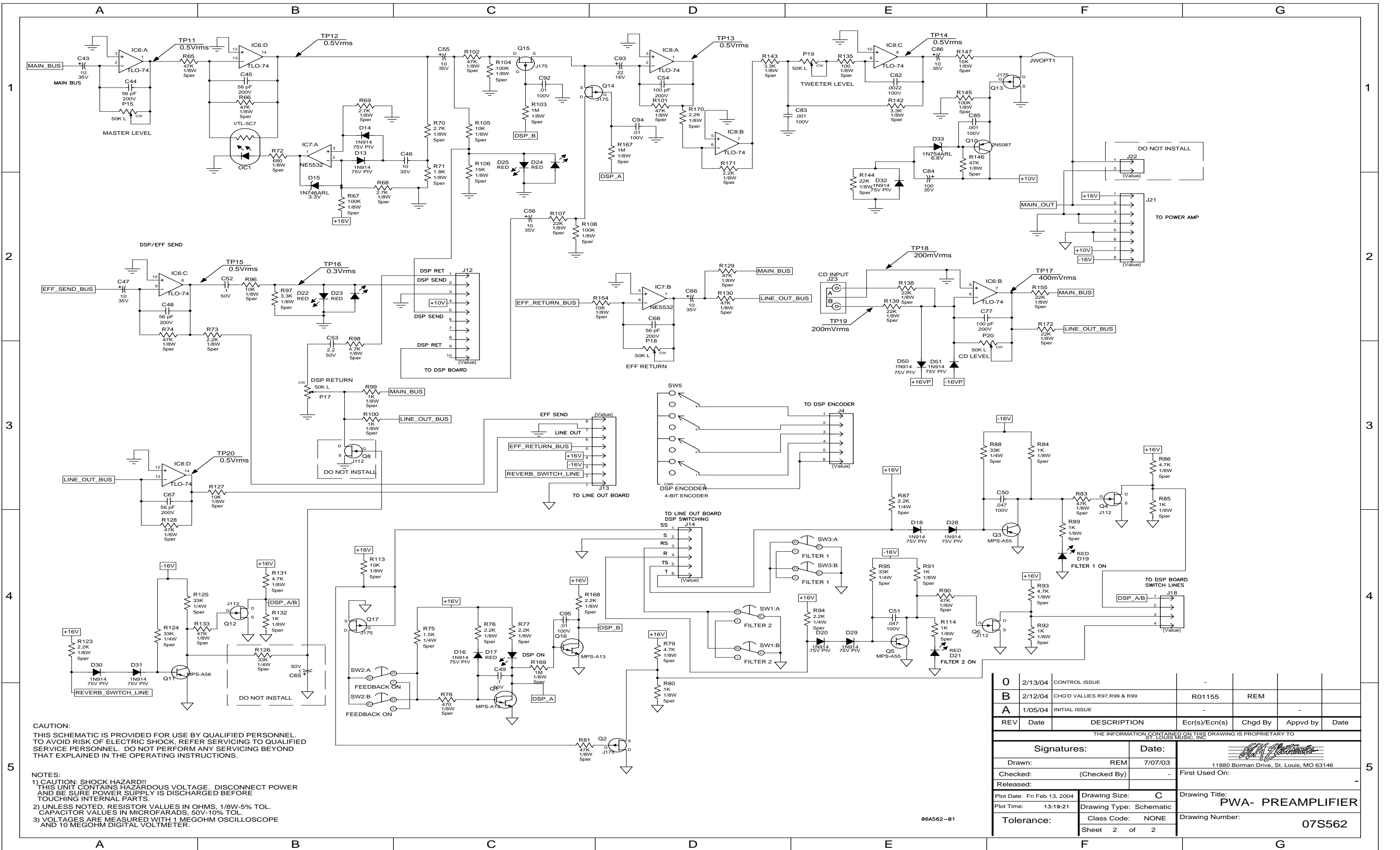
TEST POINT CONDITIONS:
 GAIN1, GAIN2, DSP/EFF SEND, EFFECTS RETURN,
 CD LEVEL & LEVEL @ "10"
 ALL OTHER CONTROLS @ "5" EXCEPT DSP LEVEL @ "0".
 1KHZ SINEWAVE INPUT.

CAUTION:
 THIS SCHEMATIC IS PROVIDED FOR USE BY QUALIFIED PERSONNEL.
 TO AVOID RISK OF ELECTRIC SHOCK, REFER SERVICING TO QUALIFIED
 SERVICE PERSONNEL. DO NOT PERFORM ANY SERVICING BEYOND
 THAT EXPLAINED IN THE OPERATING INSTRUCTIONS.

NOTES:
 1) CAUTION: SHOCK HAZARD!!
 THIS UNIT CONTAINS HAZARDOUS VOLTAGE. DISCONNECT POWER
 AND BE SURE POWER SUPPLY IS DISCHARGED BEFORE
 TOUCHING INTERNAL PARTS.
 2) UNLESS NOTED, RESISTOR VALUES IN OHMS, 1/8W-5% TOL.
 CAPACITOR VALUES IN MICROFARADS, 50V-10% TOL.
 3) VOLTAGES ARE MEASURED WITH 1 MEGOHM OSCILLOSCOPE
 AND 10 MEGOHM DIGITAL VOLTMETER.

Power Table			
RefDes	+16VP	JUMP	-16VP
IC1	8		4
IC10	8		4
IC2	8		4
IC3	4		11
IC4	4		11
IC5	4		11
IC6	4		11
IC7	8		4
IC8	4		11
PWB1			
SW5		6,7	

0	2/13/04	CONTROL ISSUE				
B	2/12/04	CHG'D VALUES R97,R99 & R99	R01155	REM		
A	1/05/04	INITIAL ISSUE				
REV	Date	DESCRIPTION	Ecr(s)/Ecn(s)	Chgd By	Appvd by	Date
THE INFORMATION CONTAINED ON THIS DRAWING IS PROPRIETARY TO ST. LOUIS MUSIC, INC.						
Signatures:			Date:			
Drawn: REM			7/07/03			
Checked: (Checked By)					First Used On:	
Released:						
Plot Date: Fri Feb 13, 2004		Drawing Size: C		Drawing Title:		
Plot Time: 13:19:19		Drawing Type: Schematic		PWA- PREAMPLIFIER		
Tolerance:		Class Code: NONE		Drawing Number:		
		Sheet 1 of 2		07S562		



CAUTION:
 THIS SCHEMATIC IS PROVIDED FOR USE BY QUALIFIED PERSONNEL.
 TO AVOID RISK OF ELECTRIC SHOCK, REFER SERVICING TO QUALIFIED
 SERVICE PERSONNEL. DO NOT PERFORM ANY SERVICING BEYOND
 THAT EXPLAINED IN THE OPERATING INSTRUCTIONS.

NOTES:
 1) CAUTION: SHOCK HAZARD!!
 THIS UNIT CONTAINS HAZARDOUS VOLTAGE. DISCONNECT POWER
 AND BE SURE POWER SUPPLY IS DISCHARGED BEFORE
 TOUCHING INTERNAL PARTS.
 2) UNLESS NOTED, RESISTOR VALUES IN OHMS, 1/8W-5% TOL.
 CAPACITOR VALUES IN MICROFARADS, 50V-10% TOL.
 3) VOLTAGES ARE MEASURED WITH 1 MEGOHM OSCILLOSCOPE
 AND 10 MEGOHM DIGITAL VOLTMETER.

0	2/13/04	CONTROL ISSUE				
B	2/12/04	CHG'D VALUES R97,R99 & R99	R01155	REM		
A	1/05/04	INITIAL ISSUE				
REV	Date	DESCRIPTION	Ecr(s)/Ecn(s)	Chgd By	Appvd by	Date
THE INFORMATION CONTAINED ON THIS DRAWING IS PROPRIETARY TO ST. LOUIS MUSIC, INC.						
Signatures:			Date:		 11880 Borman Drive, St. Louis, MO 63146	
Drawn: REM			7/07/03			
Checked: (Checked By)					First Used On:	
Released:						
Plot Date: Fri Feb 13, 2004		Drawing Size: C		Drawing Title: PWA- PREAMPLIFIER		
Plot Time: 13:19:21		Drawing Type: Schematic		Drawing Number: 07S562		
Tolerance:			Class Code: NONE		Sheet 2 of 2	