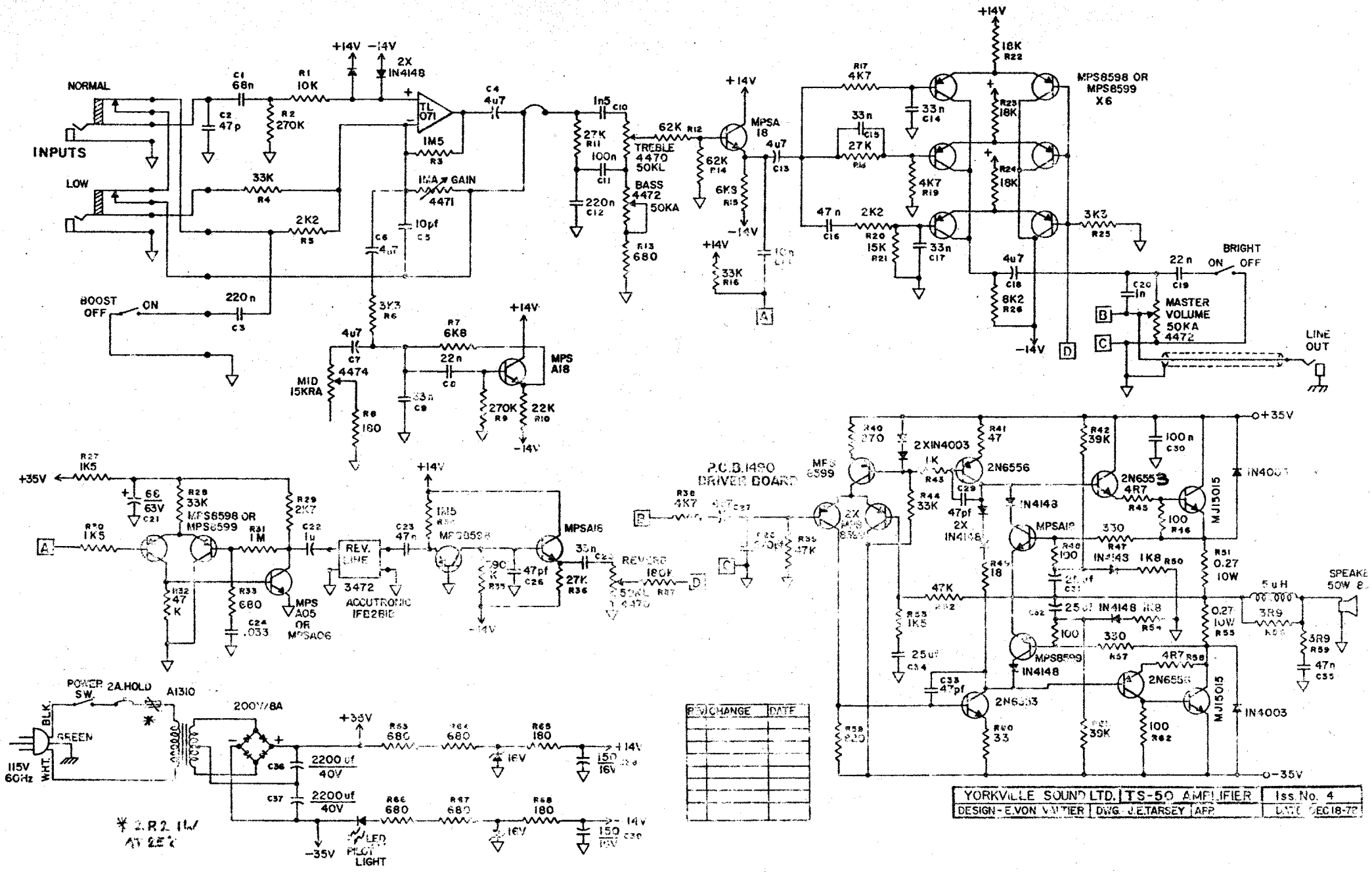


NOTE-  
 Q19, Q23, Q1-Q6 = MPSA18  
 Q20, Q7-Q11 = MPSA8599  
 Q12 = MPSU6C  
 Q14 = MJE340  
 Q26 = MPSU10  
 Q21 = MJE350  
 Q15-Q18  
 Q22-Q25 = MJ15015 OR 2N5773  
 IC1 = TL071CP  
 IC2 = UA741TC  
 IC3 = CA3080

\* 1. ADJUST FOR 10 mV ACROSS RESISTOR.  
 2. RESISTOR MADE OF NICHROME WIRE.  
 ALL RESISTORS ± 5% 1/2 W UNLESS OTHERWISE STATED.

YORKVILLE SOUND LTD.  
 TS-200  
 POWER AMP.  
 DWG-JET. DATE-NOV 2/78  
 Iss. NO.



REV.	CHANGE	DATE