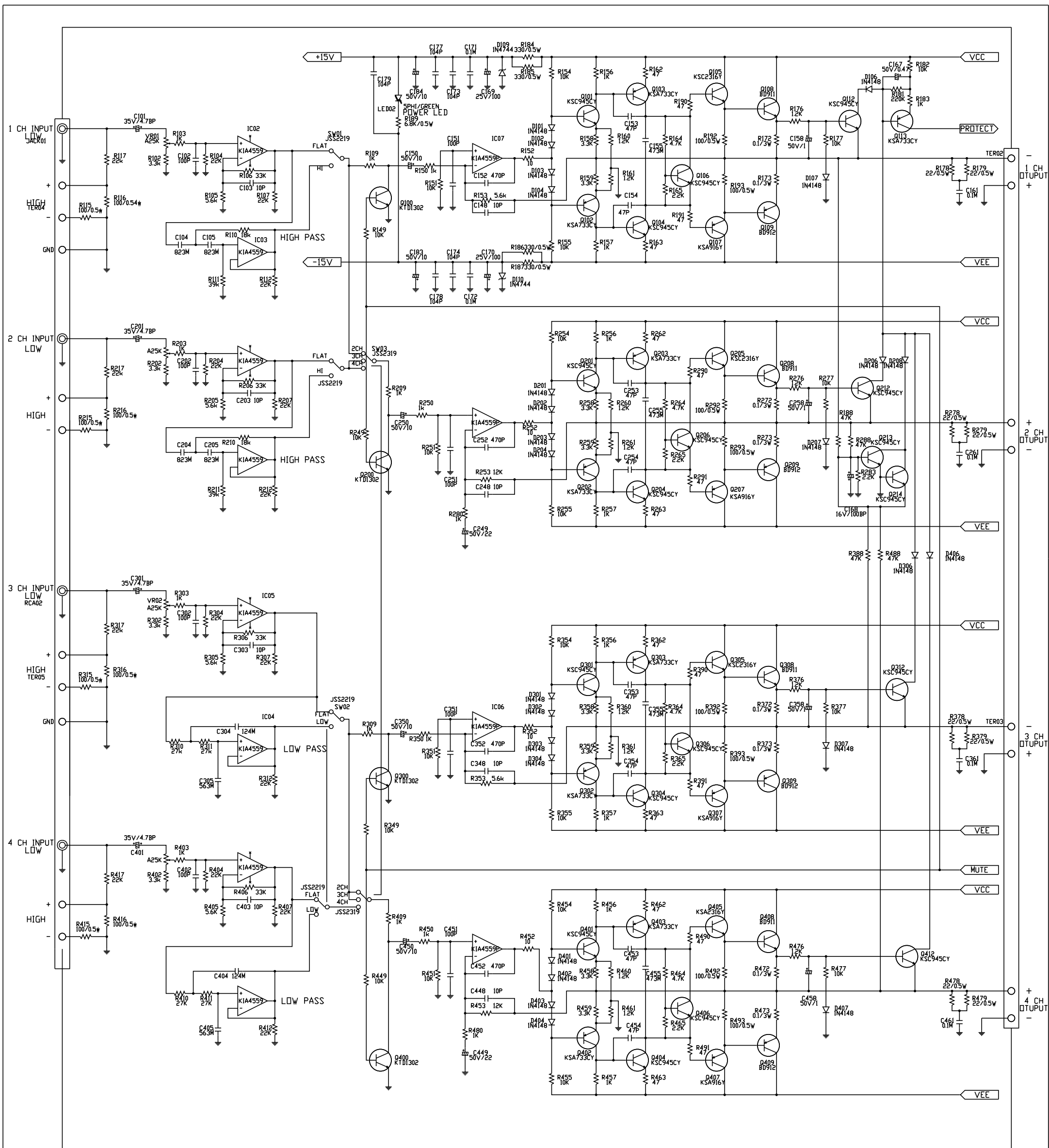


red ATTACK
4800

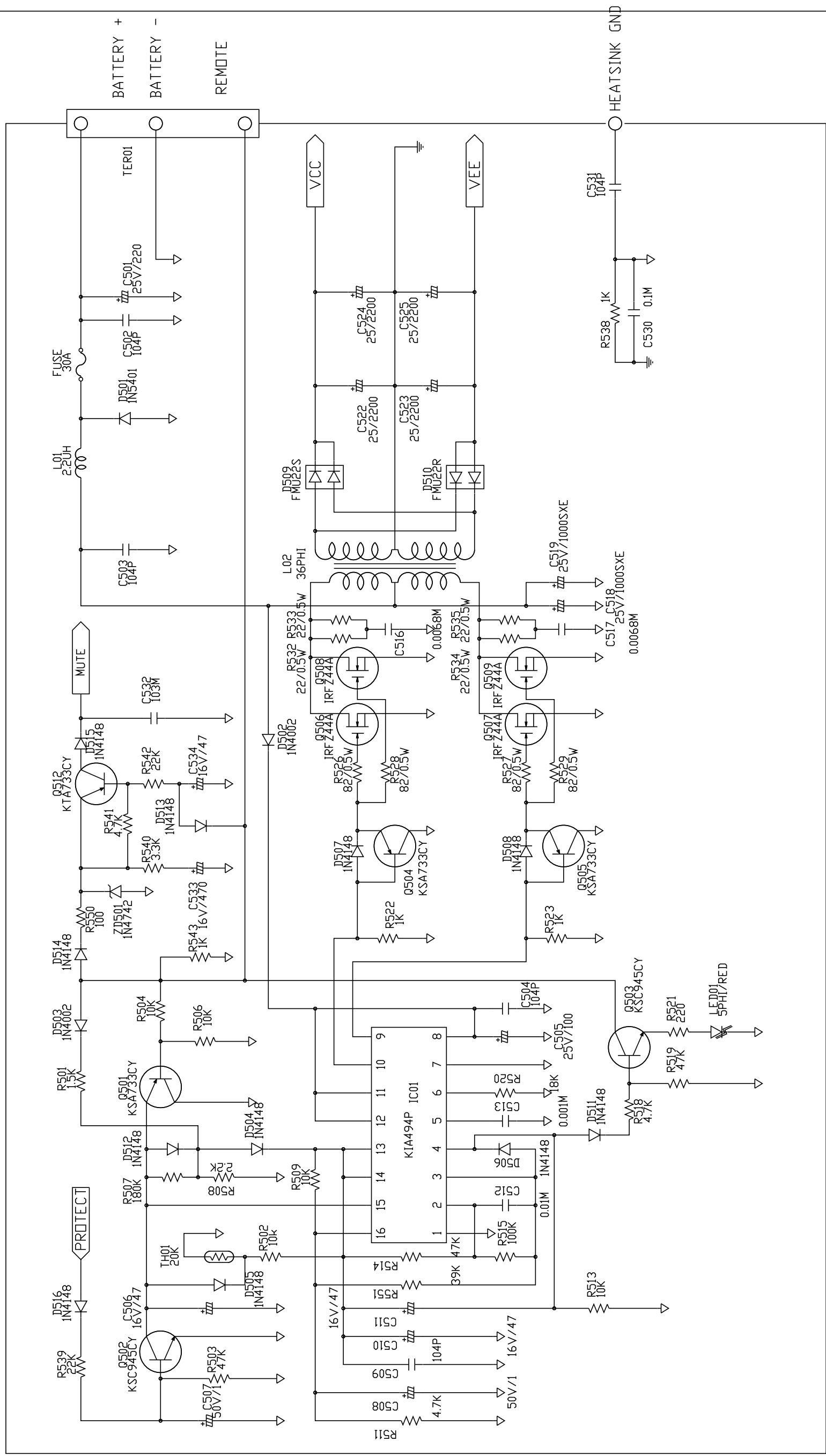
macAudio

4 OH AMPLIFIER

4800



COMP.	MAC AUDIO		
MODEL	RED ATTACK 4800		
REV.	A	DWG NO	
DATE	00.07.14.	SHEET	0F



COMP.	MAC AUDIO		
MODEL	RED ATTACK 4800		
REV.	A	DWG BY	DF
DATE	00.07.14.	SHEET	0F

RED ATTACK 4800 PART LIST

DESCRIPTION	SPECIFICATION	Q'TY	DRAWING NO.	REMARK
PCB - MAIN	1.6x168.5x279.5 FR-1(VAX404S)	1	REDATTACK 4800 PCB	
POWER T.R	BD911	4	Q 108, 208, 308, 408	
	DB912	4	Q 109, 209, 309, 409	
I.C.	KIA 494 P	1	IC 01	
	KIA 4559 P	7	IC 02, 03, 04, 05, 06, 07	
FET	IRFZ 44A	4	Q 506, 507, 508, 509	
DIODE	FMU 22 S	1	D 509	
	FMU 22 R	1	D 510	
DIODE	1N 5401	1	D 501	
	1N 4002	2	D 502, 503	
-SWITCHING	1N 4148	36	D 101, 102, 103, 104, 106, 107, 201, 202	
			D 203, 204, 206, 207, 208, 301, 302, 303	
			D 304, 306, 307, 401, 402, 403, 404, 406	
			D 407, 504, 505, 506, 507, 508, 511, 512	
			D 513, 514, 515, 516	
-ZENNER	UZP 15 B 1[W]	2	D 109, 110	
	UZP 12 B 0.5[W]	1	D 2D 501	
TRANSISTOR	KSC 945 C-Y	20	Q 101, 104, 106, 112, 201, 204, 206, 212	
			Q 213, 214, 301, 304, 306, 312, 401, 404	
			Q 406, 412, 502, 503	
	KSA 733 C-Y	13	Q 102, 103, 113, 202, 203, 302, 303, 402	
			Q 403, 501, 504, 505, 512	
	KSC 2316 Y	4	Q 105, 205, 305, 405	
	KSA 916 Y	4	Q 107, 207, 307, 407	
	KTD 1302	4	Q 100, 200, 300, 400	
WIRE WOUND	3[W] 0.1 J	8	R 172, 173, 272, 273, 372, 373, 472, 473	20 M/M (GREEN)
LED	KLG - 114 L	1	LED 01	
	KLR - 114 L	1	LED 02	
R - METAL	1/2[W] 22 (S)	12	R 178, 179, 278, 279, 378, 379, 478, 479	
(J)			R 532, 533, 534, 535	
	1/2[W] 82 (S)	4	R 526, 527, 528, 529	
	1/2[W] 100 (S)	16	R 115, 116, 192, 193, 215, 216, 292, 293	
			R 315, 316, 392, 393, 415, 416, 492, 493	
	1/2[W] 330 (S)	4	R 184, 185, 186, 187	
	1/2[W] 6.8 K (S)	1	R 189	
R - CARBON	1/6[W] 10	4	R 152, 252, 352, 452	
(J)	1/6[W] 47	16	R 162, 163, 190, 191, 262, 263, 290, 291	
			R 362, 363, 390, 391, 462, 463, 490, 491	
	1/6[W] 100	1	R 550	
	1/6[W] 220	1	R 521	

RED ATTACK 4800 PART LIST

DESCRIPTION	SPECIFICATION	Q'TY	DRAWING NO.	REMARK
	1/6[W] 1K	25	R 103, 109, 156, 157, 183, 203, 209, 250	
			R 256, 257, 280, 303, 309, 356, 357, 403	
			R 409, 450, 456, 457, 480, 522, 523, 538	
			R 543	
	1/6[W] 1.2K	14	R 150, 160, 161, 176, 260, 261, 276, 350	
			R 360, 361, 376, 460, 461, 476	
	1/6[W] 1.5K	1	R 501	
	1/6[W] 2.2K	6	R 165, 265, 283, 365, 465, 508	
	1/6[W] 3.3K	13	R 102, 158, 159, 202, 258, 259, 302, 358	
			R 359, 402, 458, 459, 540	
	1/6[W] 4.7K	7	R 164, 264, 364, 464, 511, 518, 541	
	1/6[W] 5.6K	6	R 105, 205, 253, 305, 453, 405	
	1/6[W] 10K	26	R 149, 151, 154, 155, 177, 182, 249, 251	
			R 254, 255, 277, 349, 351, 354, 355, 377	
			R 449, 451, 454, 455, 477, 502, 504, 506	
			R 509, 513	
	1/6[W] 12K	2	R 153, 353	
	1/6[W] 18K	3	R 110, 210, 520	
	1/6[W] 22K	18	R 104, 107,112, 117, 204, 207, 212, 217	
			R 304, 307, 312, 317, 404, 407, 412, 417	
			R 539, 542	
	1/6W 27K	4	R 310, 311, 410, 411	
	1/6[W] 33K	4	R 106, 206, 306, 406,	
	1/6[W] 39K	3	R 111, 211, 551	
	1/6[W] 47K	7	R 188, 288, 388, 488, 503, 514, 519	
	1/6[W] 100K	1	R 515	
	1/6[W] 180K	1	R 507	
	1/6[W] 220K	1	R 181	
C-CAPACITOR	10 pF J CH	8	C 103, 148, 203, 248, 303, 348, 403, 448	
	47 pF J CH	8	C 153, 154, 253, 254, 353, 354, 453, 454	
	100 pF J SL	8	C 102, 151, 202, 251, 302, 351, 402, 451	
	470 pF BK	4	C 152, 252, 352, 452	
	0.1 uF ZF	10	C 173, 174, 177, 178, 179, 502, 503, 504	
			C 509, 531	
M-CAPACITOR	100[V] 102 J	1	C 513	
	100[V] 682 J	2	C 516, 517	
	100[V] 103 J	2	C 512, 532	
	100[V] 473 J	4	C 155, 255, 355, 455	
	100[V] 563 J	2	C 305, 405	
	100[V] 823 J	4	C 104,105, 204, 205	

RED ATTACK 4800 PART LIST

DESCRIPTION	SPECIFICATION	Q'TY	DRAWING NO.	REMARK
	100[V] 104 J	7	C 161, 171, 172, 261, 361, 461, 530	
	100[V] 124 J	2	C 304, 404	
E-CAPACITOR	50[V] R47 uF	1	C 167	
	50[V] 1 uF	6	C 158, 258, 358, 458, 507, 508	
	50[V] 10 uF	6	C 150, 183, 184, 250, 350, 450	
	50[V] 22 uF	2	C 249, 449	
	25[V] 100 uF	3	C 169, 170, 505	
	25[V] 220 uF	1	C 501	
	25[V] 2200 uF	4	C 522, 523, 524, 525	
	25[V] 1000 uF (SXE)	2	C 518, 519	
	16[V] 47 uF	4	C 506, 510, 511, 534	
	16[V] 470 uF	1	C 533	
	35[V] 4R7 uF (B,P)	4	C 101, 201, 301, 401	
	16[V] 100 uF (B,P)	1	C 168	
THERMISTOR	20 [.] WITH WIRE 140M/M	1	TH 01	
COIL-SPRING	12 TURN (R') 2.0PHI	1	L01	
COIL-TROID	1st : 1.0Φ X 6 X 6 (T)			
1st :PEW	2nd: 1.0Φ X 4 X 10 (T)	1	L 02	
2nd:UEW	CORE:36Φ JIN SUNG			
VOLUME	RV 16404 15SP A25K	2	VR 01, 02	
SLIDE SWITCH	JSS - 2219	2	SW 01, 02	
	JSS - 2319	1	SW 03	
RCA JACK	WJ9104A1	2	RCA 01, 02	
TERMINAL	WT-9311B	2	TER 02, 03	
	WT-9313B	1	TER 01	
FUSE HOLDER	WF - 9402 P	1	FUSE	
FUSE	30 [A]	2		
LUG TERMINAL	#20 BLK 80m/m 3.2Φ	1	GND	
CONNECTOR	GH-05 WIRE :300M/M	2	ACCESSORY	STRIP:7M/M
'-WAFER	GA-05 "L"TYPE WHITE	2	TER04,TER03	
VOLUME KNOB	K0	2		
LED SUPPORT	10 m/m	2		
CUTION	10 X 10 X 6T	5		
SILICON-RUBBER	AR 23X320 M/M	1		
RUBBER FOOT	11 PHI	2		
TR B.K.T	A -1 100 X 12 X 5T	2		
	B 80X 12 X 5T	1		
	E -1 30X 12 X 5T	1		
SCREW	T/T PH 3 X 8	18		
(BLACK)	T/T BH 3 X 15	11		

RED ATTACK 4800 PART LIST

DESCRIPTION	SPECIFICATION	Q'TY	DRAWING NO.	REMARK
	T/T WPH 3 X 6	6		
	T/S-2 BH 2 X 6	2		
	T/S-1 BH 4 X 16	4		
	SPRING WASHER 4Φ	4		
	PLANE WASHER 4Φ	4		
HEAT SINK	280 m/m	1	RED ATTACK 4800 HEATSINK	
BOTTOM	279 m/m	1	RED ATTACK 4800 BOTTOM	
FRONT PANEL		1	RED ATTACK 4800 FRONT	
REAR PANEL		1	RED ATTACK 4800 REAR	
POLY BAG	350 X 470 X 0,05T	1		
	80 X 110 X 0,05T	1		
SILICAGEL	3 [g]	1		
OPP TAPE				
TUBE	YELLOW 1 Φ	5		CM
LOCKING PAINT	THREE BOND 1 [Kg]	0,04		KG
MAXBOND	1603HFR 1 [Kg]	0,07		KG
GIFT BOX	RED ATTACK 4800	1		
MANUAL		1		
SERIAL NO.		1		
WARRANTY CARD		1		
CARTON BOX				
INNER BOX		1		