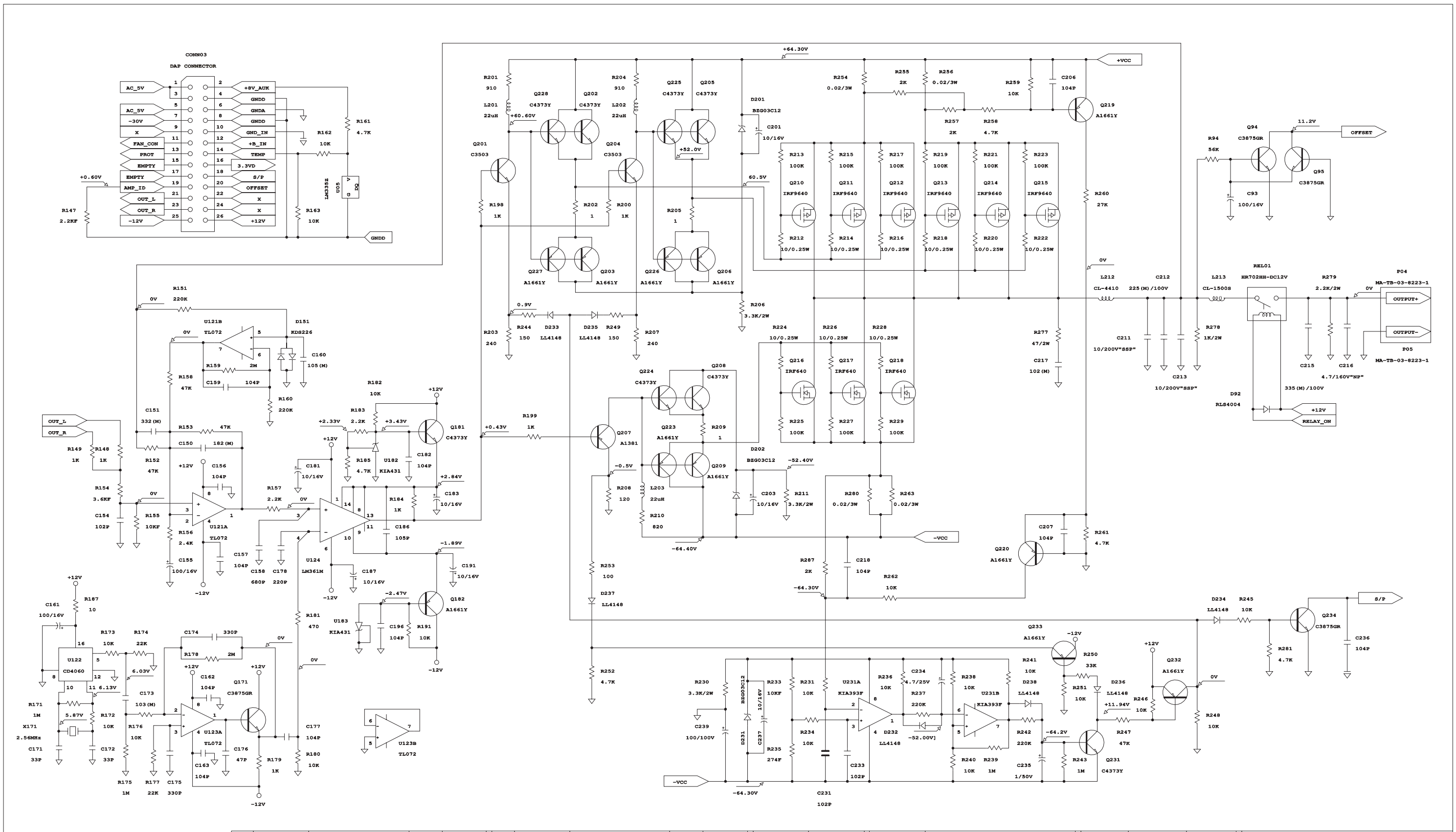


										BUYER	SDI	DWG		SIGN	DATE	<p style="text-align: center;">CHUNG LAM</p> <p style="text-align: center;">DIGITAL</p>
										BUYER MODEL	SX650.1	DESCRIPTION		DRAW	2003.05.12	
										ISSUE	A	SCALE	DWG. NO.	CHECKED	2003.05.12	
REV	ECN NO	DESCRIPTION	DATE	APPROVED	REV	ECN NO	DESCRIPTION	DATE	APPROVED	SHEET	1 OF 2	N/S	CLS-AP-2096	APPROVED	2003.05.12	



										BUYER	SDI	DWG DESCRIPTION		SIGN	DATE	CHUNG LAM	
										BUYER MODEL	sx650.1			DRAW	2003.05.12	DIGITAL	
										ISSUE	A	SCALE		CHECKED	2003.05.12		
										SHEET	2 OF 2	N/S		APPROVED	2003.05.12		
REV	ECN NO	DESCRIPTION	DATE	APPROVED	REV	ECN NO	DESCRIPTION	DATE	APPROVED	CLS-AP-2096							