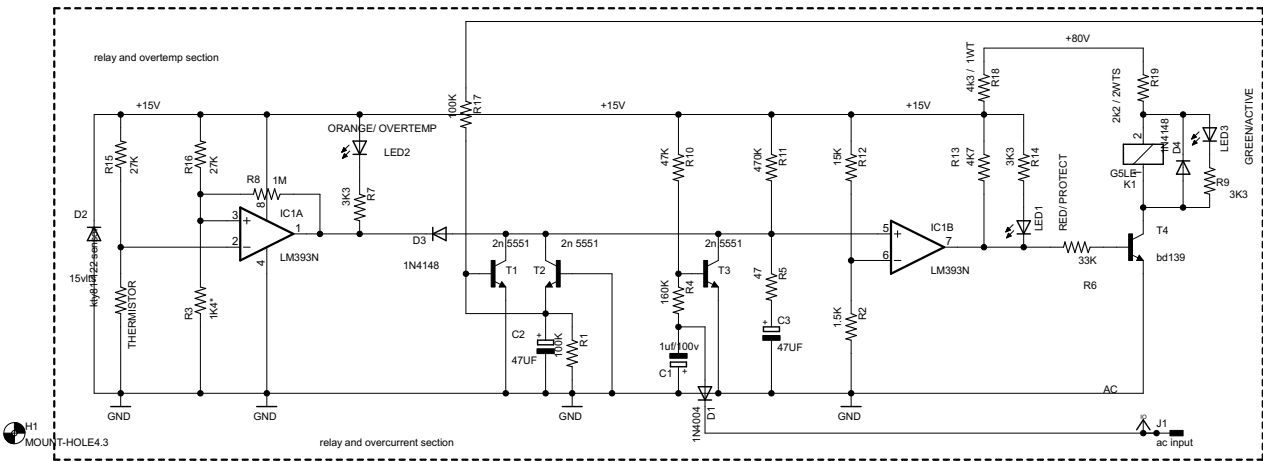
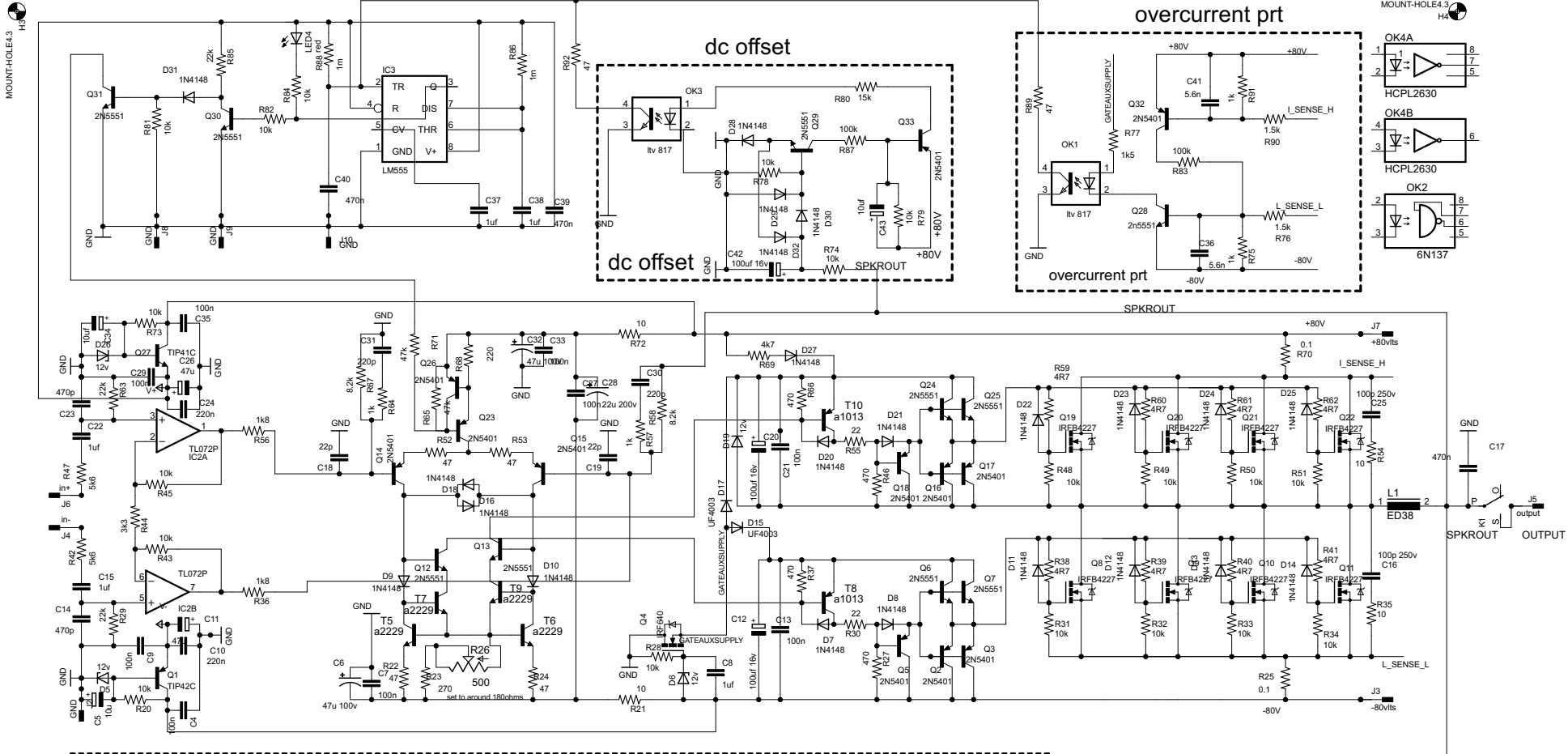


MOUNT-HOLE4.3 H3

MOUNT-HOLE4.3 H4



MOUNT-HOLE4.3 H1

MOUNT-HOLE4.3 H2

ac input