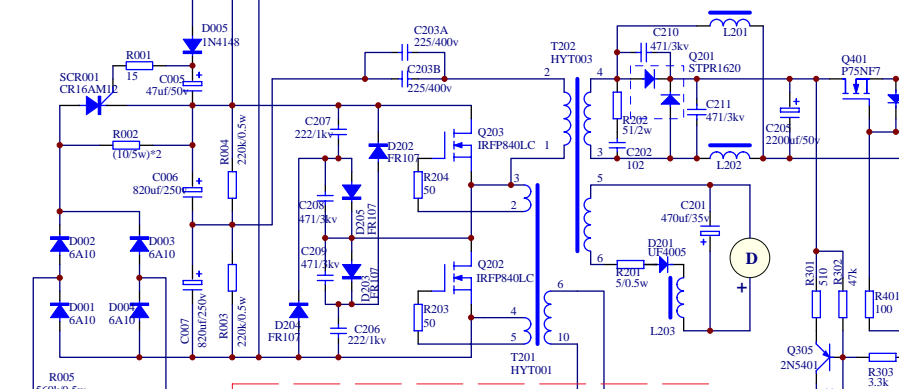


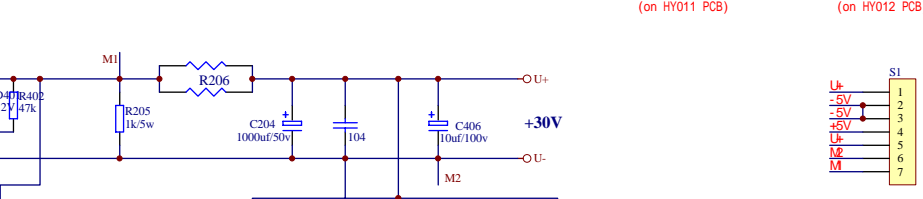
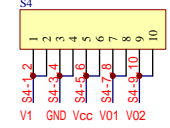
PCB Number: HY011

Copyright : www.mastechpowersupplies.com

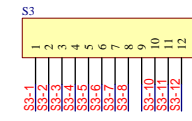
- S1 ← Connecting → Display PCB: HY026 (on HY011 PCB)
- S2 ← Connecting → S1 (on HY011 PCB) (on HY014 PCB)
- S3 ← Connecting → S3 (on HY011 PCB) (on HY013 PCB)
- S4 ← Connecting → S4 (on HY011 PCB) (on HY012 PCB)



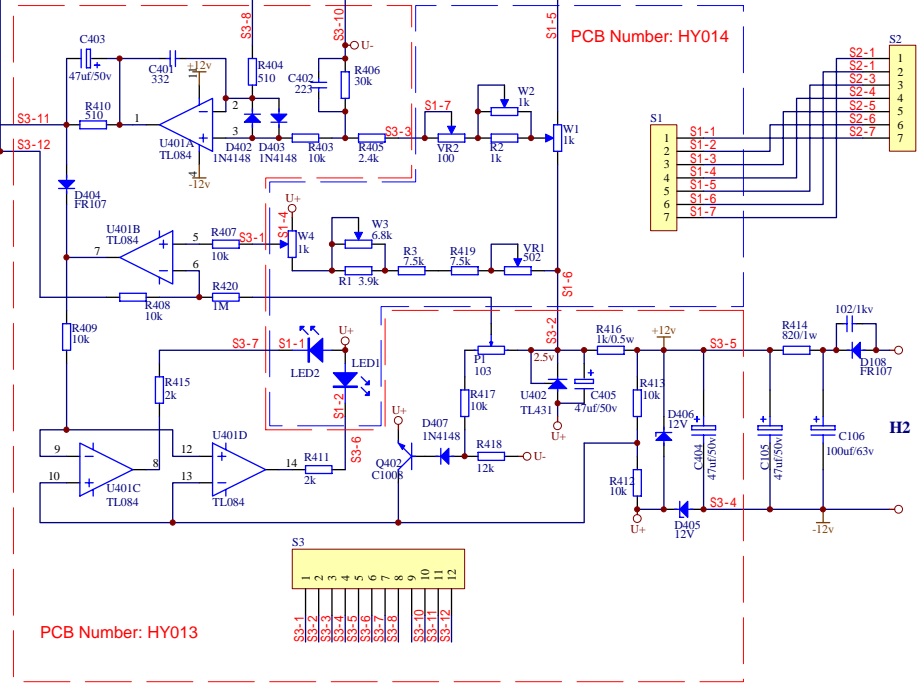
PCB Number: HY012



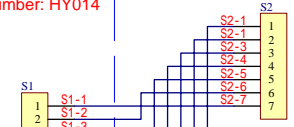
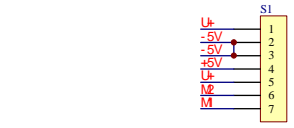
PCB Number: HY013



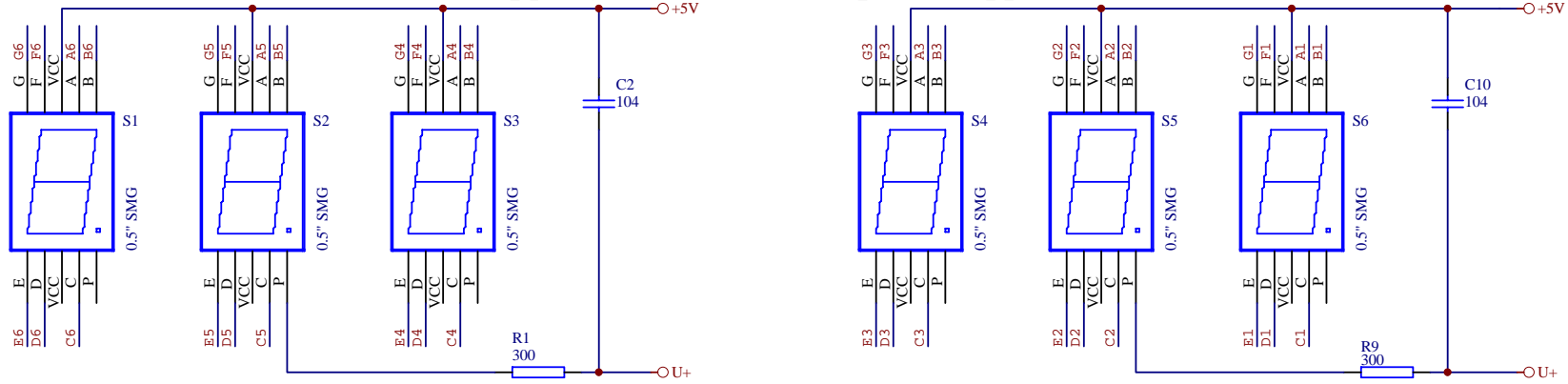
Copyright : www.mastechpowersupplies.com



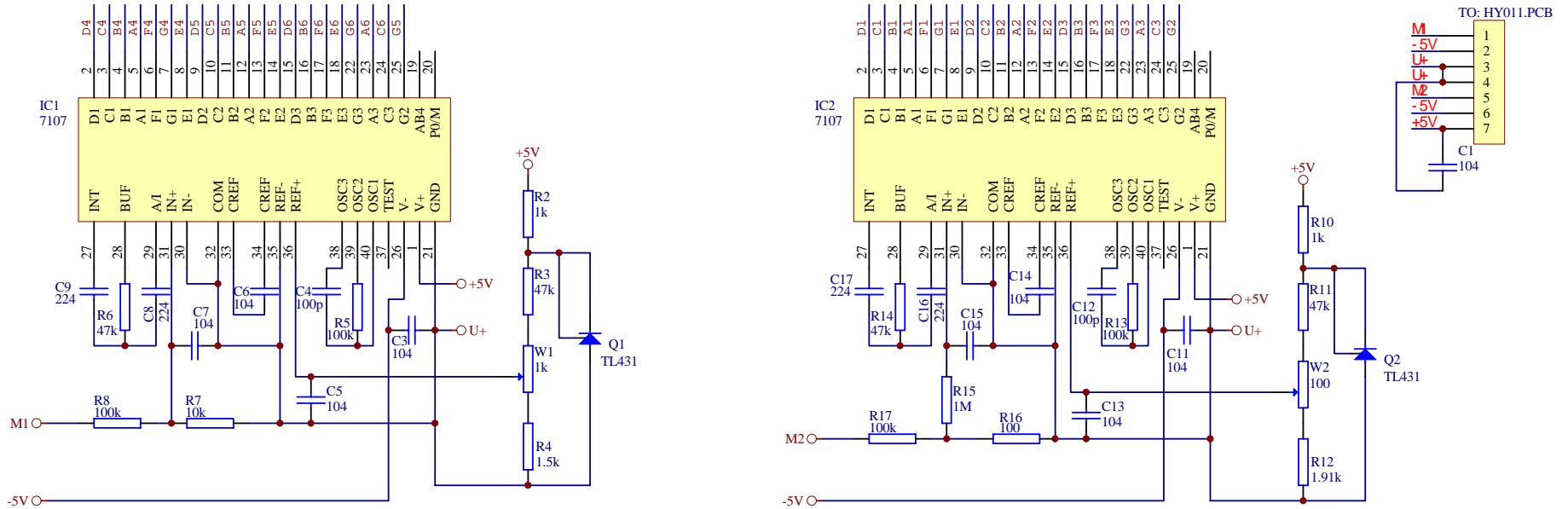
PCB Number: HY014



Copyright:www.mastechpowersupplies.com



Copyright:www.mastechpowersupplies.com



Copyright:www.mastechpowersupplies.com

Circuit Diagram for HY3030E (2)

PCB Number: HY026