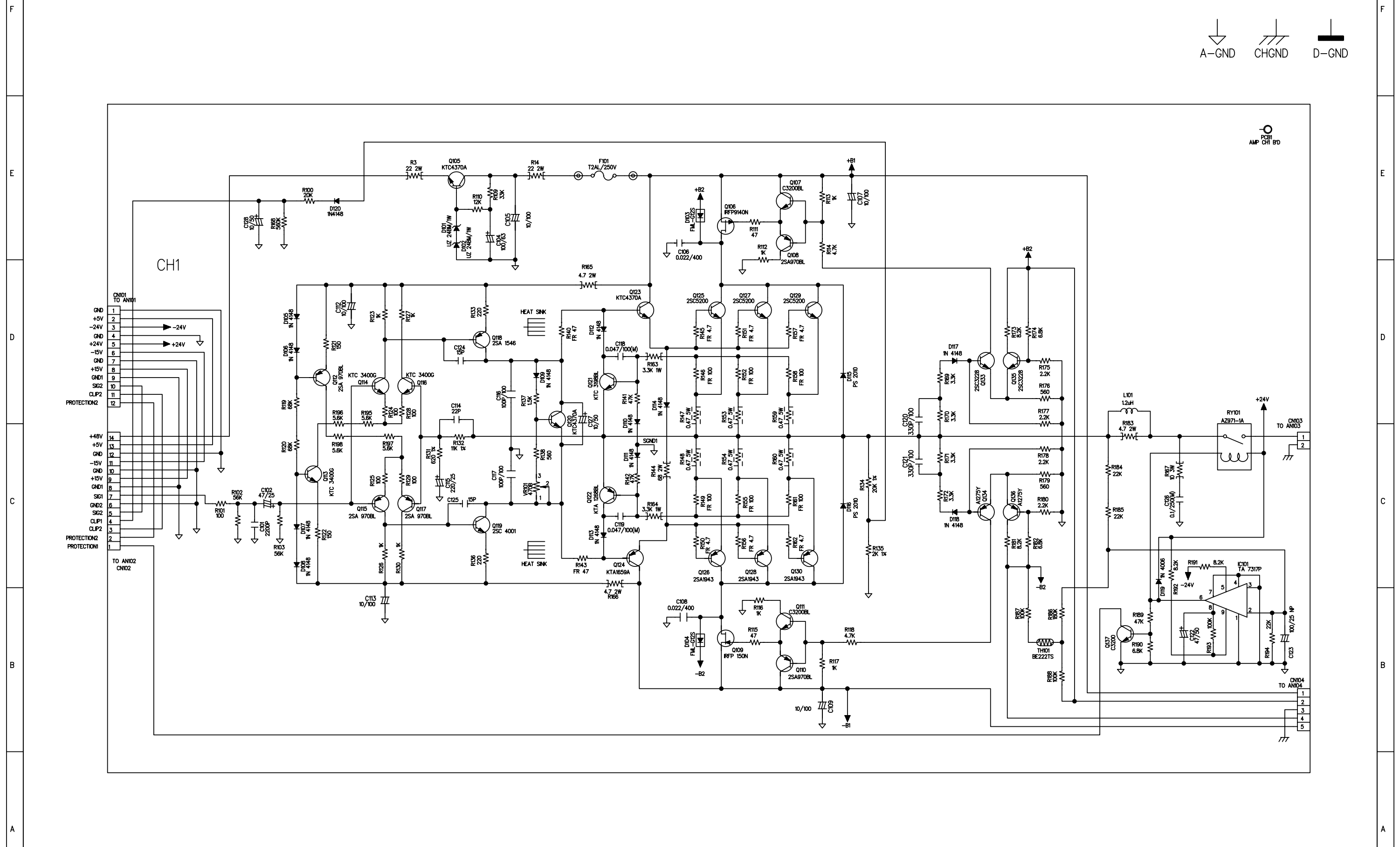


COMPANY	SAMSON	APPLICANT	REVISED NUMBER AND DATE			DRAWN	CHECKED	APPROVED	NOTE	SIZE	SHEET NO.	SCHEMATIC DIAGRAM MODEL: XM-910 AMP CH1 B'D
TYPE CODE		M.P	1. 2004.12.20	4.	7.			JK	A3	2/6		
APPROVED DATE	2005.04.01		2. 2005.04.01	5.	8.							
			3.	6.	9.							

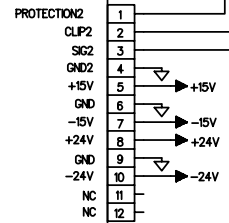
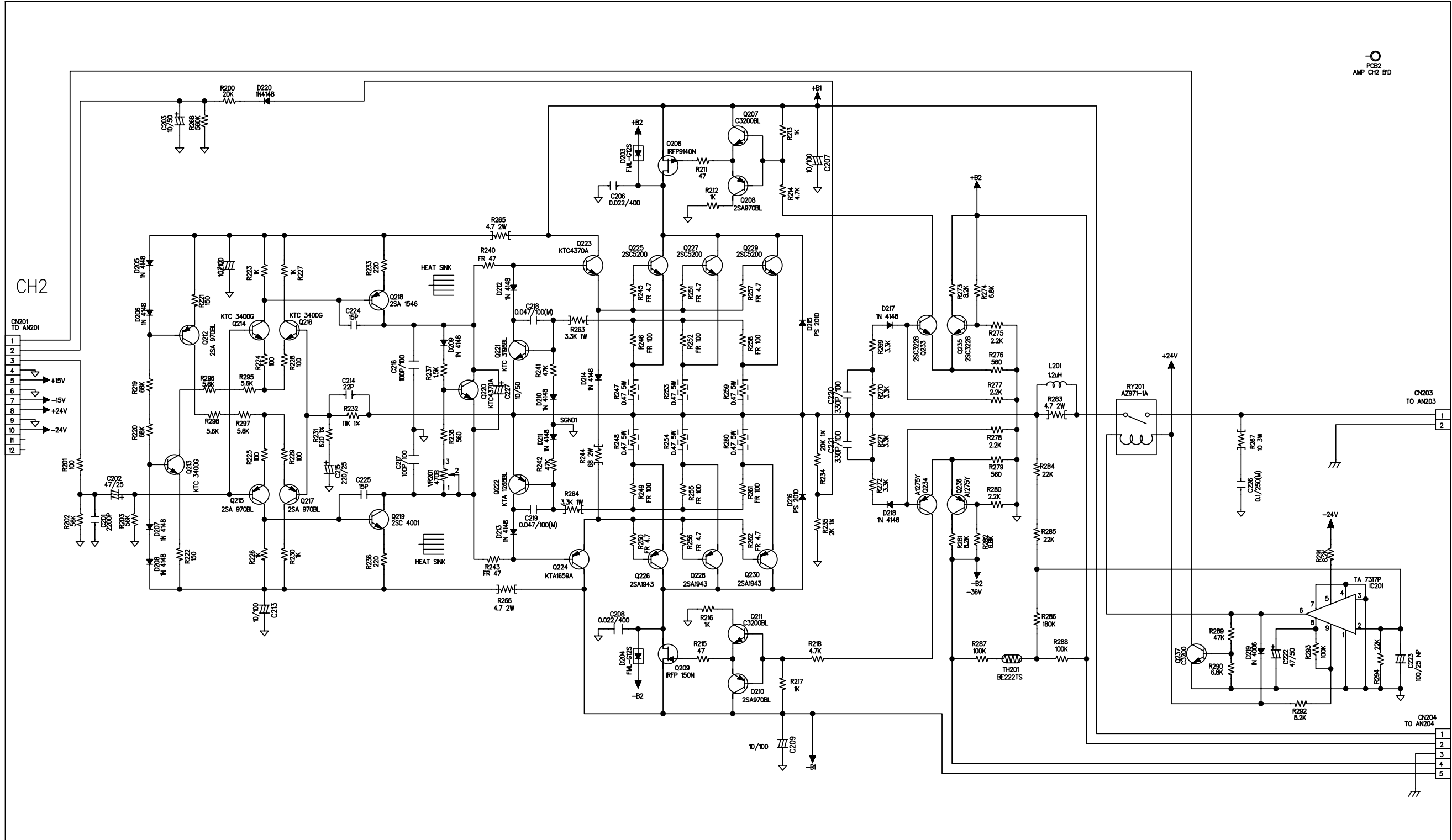
D101,D102 are changed from 1/4watt to 1watt



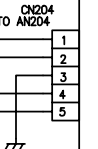
PCB1
AMP CH1 B'D



COMPANY	SAMSON	APPLICANT	REVISED NUMBER AND DATE			DRAWN	CHECKED	APPROVED	NOTE	SIZE	SHEET NO.	SCHEMATIC DIAGRAM MODEL : XM-910 AMP CH2 B'D
TYPE CODE		M.P	1. 2004.12.20	4.	7.			JK	A3	3/6		
APPROVED DATE			2. 2005.04.01	5.	8.							



PCB2
AMP Q12 B'D



F
E
D
C
B
A

F
E
D
C
B
A