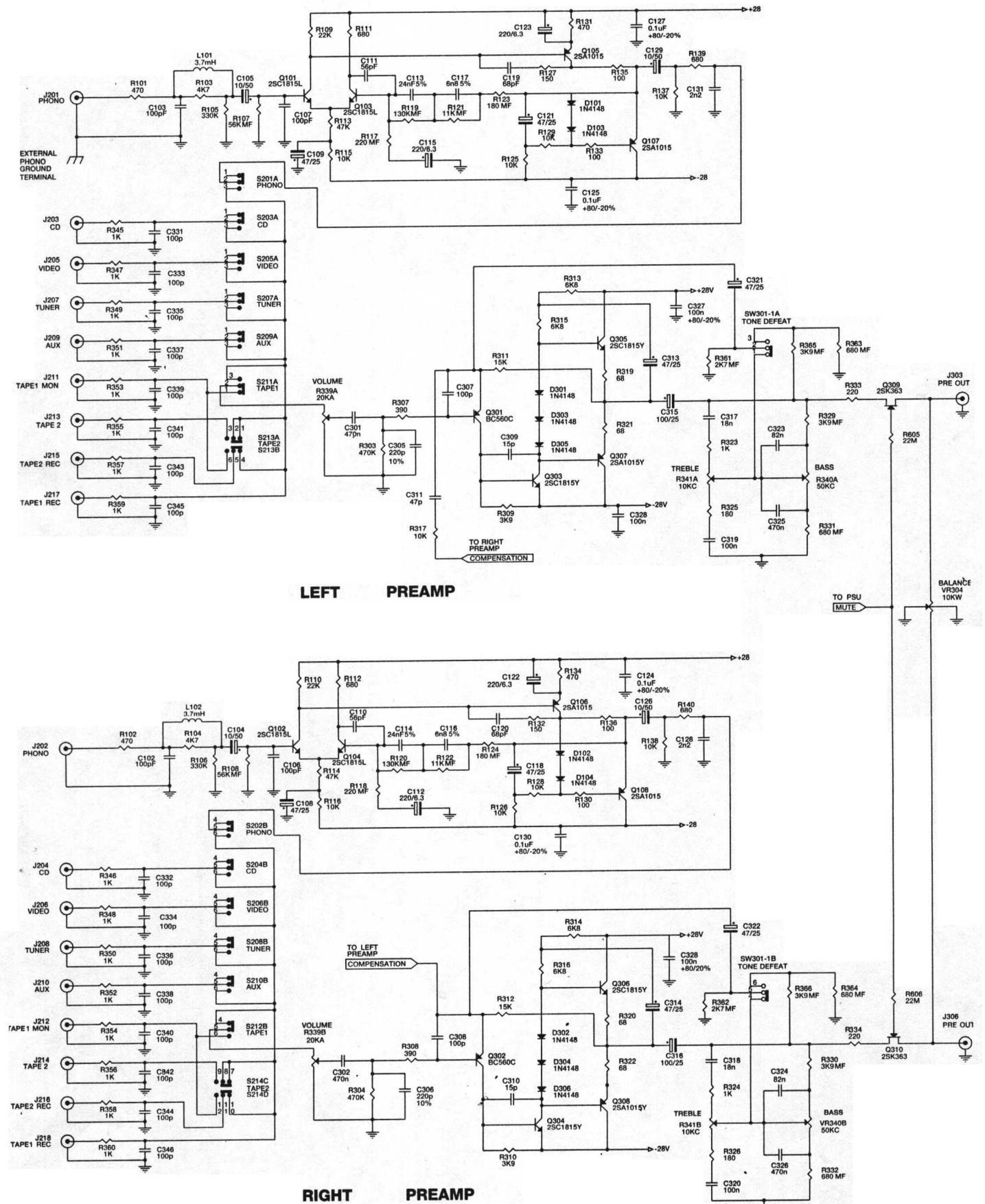


SCHEMATIC DIAGRAM

PREAMP



LEFT PREAMP

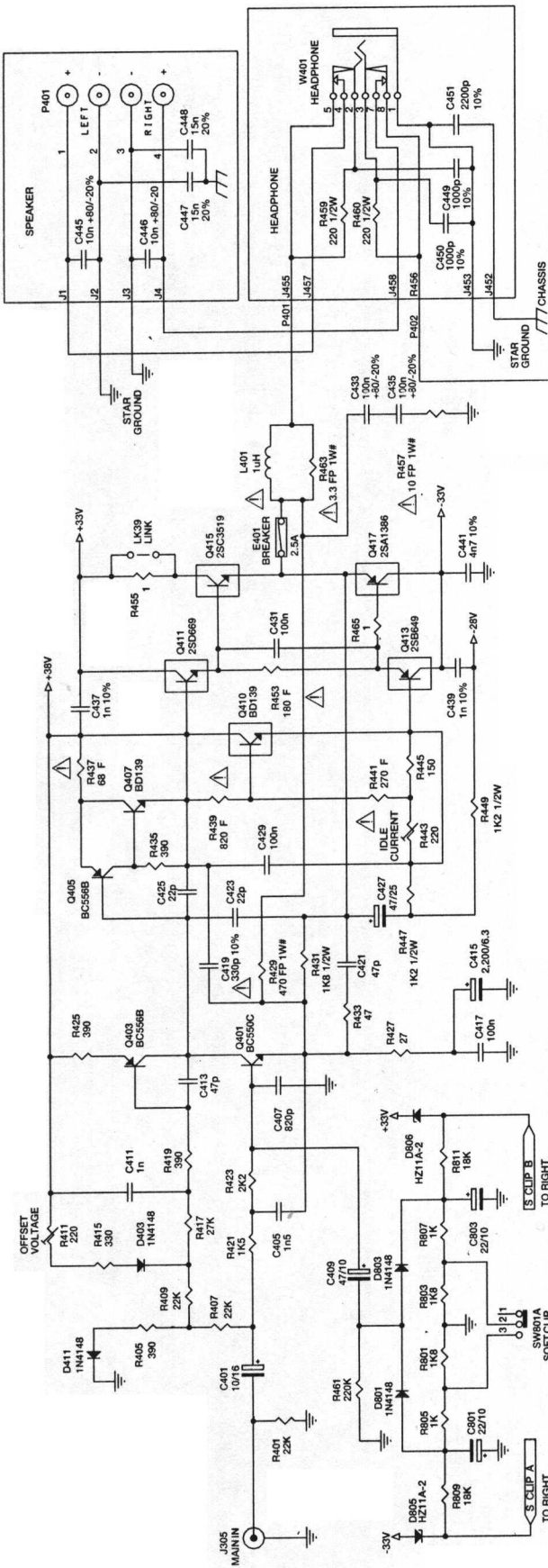
RIGHT PREAMP

NOTE: 1. RESISTORS, UNLESS OTHERWISE SPECIFIED ARE 1/4W.
 2. ALL CERAMIC CAPACITORS, UNLESS OTHERWISE SPECIFIED ARE 50V, 5%.

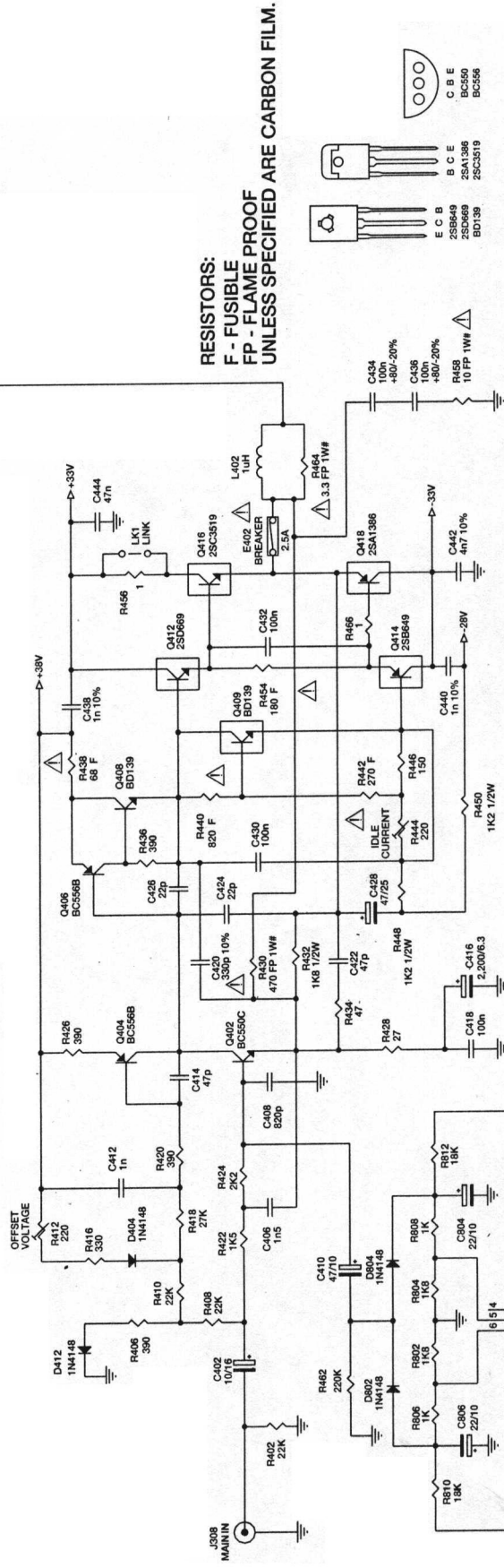
RESISTORS:
 MF - METAL FILM
 UNLESS SPECIFIED
 ARE CARBON FILM.



POWER AMPLIFIER

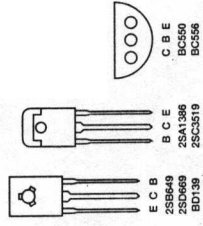


LEFT POWER AMP



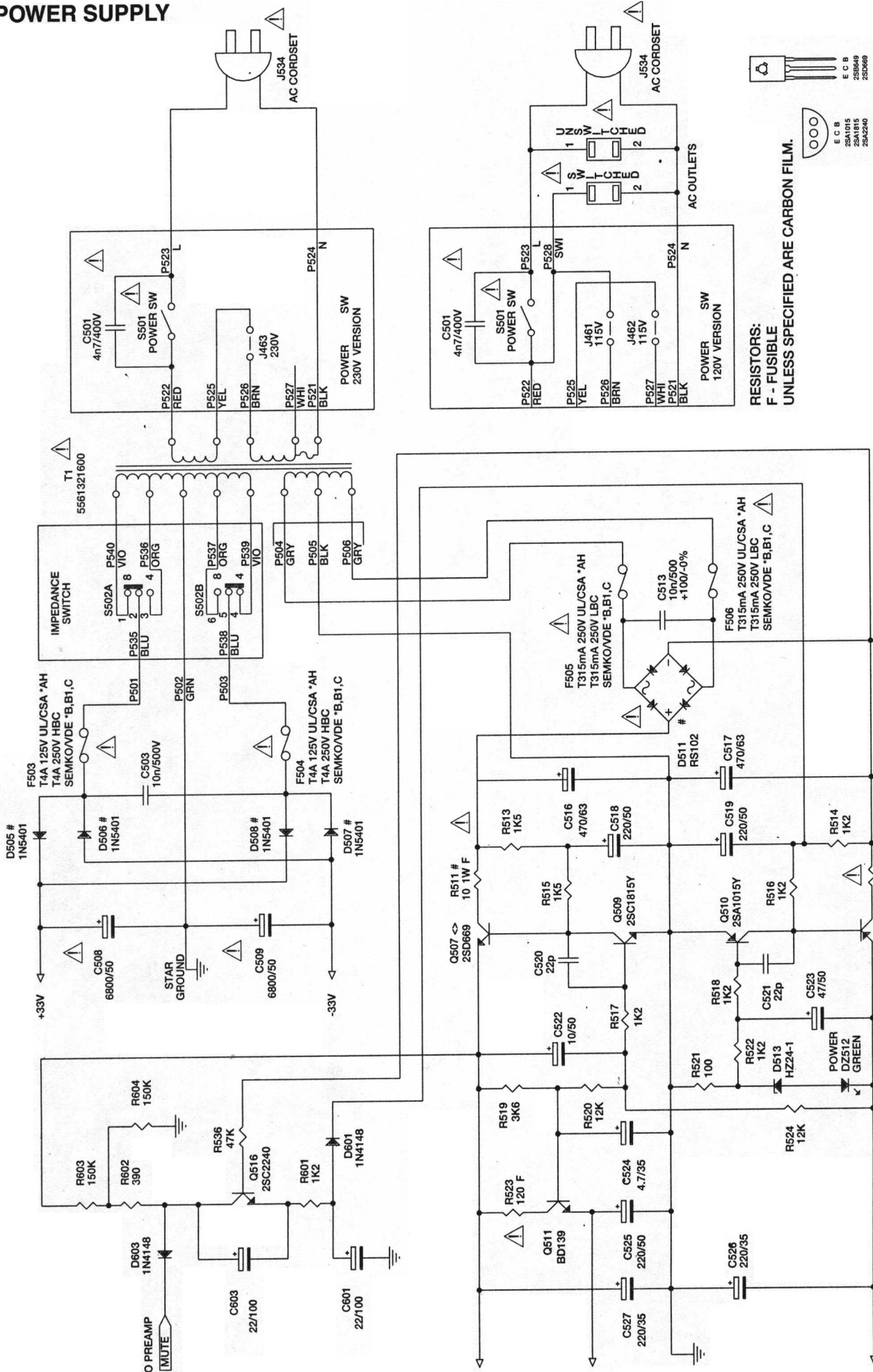
RIGHT POWER AMP

RESISTORS:
F - FUSIBLE
FP - FLAME PROOF
UNLESS SPECIFIED ARE CARBON FILM.

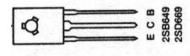


- NOTE: 1. RESISTORS, UNLESS OTHERWISE SPECIFIED ARE 1/4W.
2. ALL CERAMIC CAPACITORS, UNLESS OTHERWISE SPECIFIED ARE 50V, 5%.
3. BLOCKED TRANSISTORS ARE MOUNTED ON MAIN HEATSINK.
4. COMPONENTS MARKED WITH "△" ARE SAFETY CRITICAL PART
5. COMPONENTS MARKED WITH "# " ARE ELEVATED FROM PCB.

POWER SUPPLY



- NOTE: 1. RESISTORS, UNLESS OTHERWISE SPECIFIED ARE 1/4W.
 2. ALL CERAMIC CAPACITORS, UNLESS OTHERWISE SPECIFIED ARE 50V, 5%.
 3. COMPONENTS MARKED WITH "△" ARE SAFETY CRITICAL PARTS.
 4. COMPONENTS MARKED WITH " # " ARE ELEVATED FROM PCB.
 5. COMPONENTS MARKED WITH " <-> " ARE MOUNTED ON SMALL HEATSINK.



RESISTORS:
 F - FUSIBLE
 UNLESS SPECIFIED ARE CARBON FILM.



RESISTORS:
 E C B
 25A1015
 25A1815
 25B649
 25C260

POWER SUPPLY