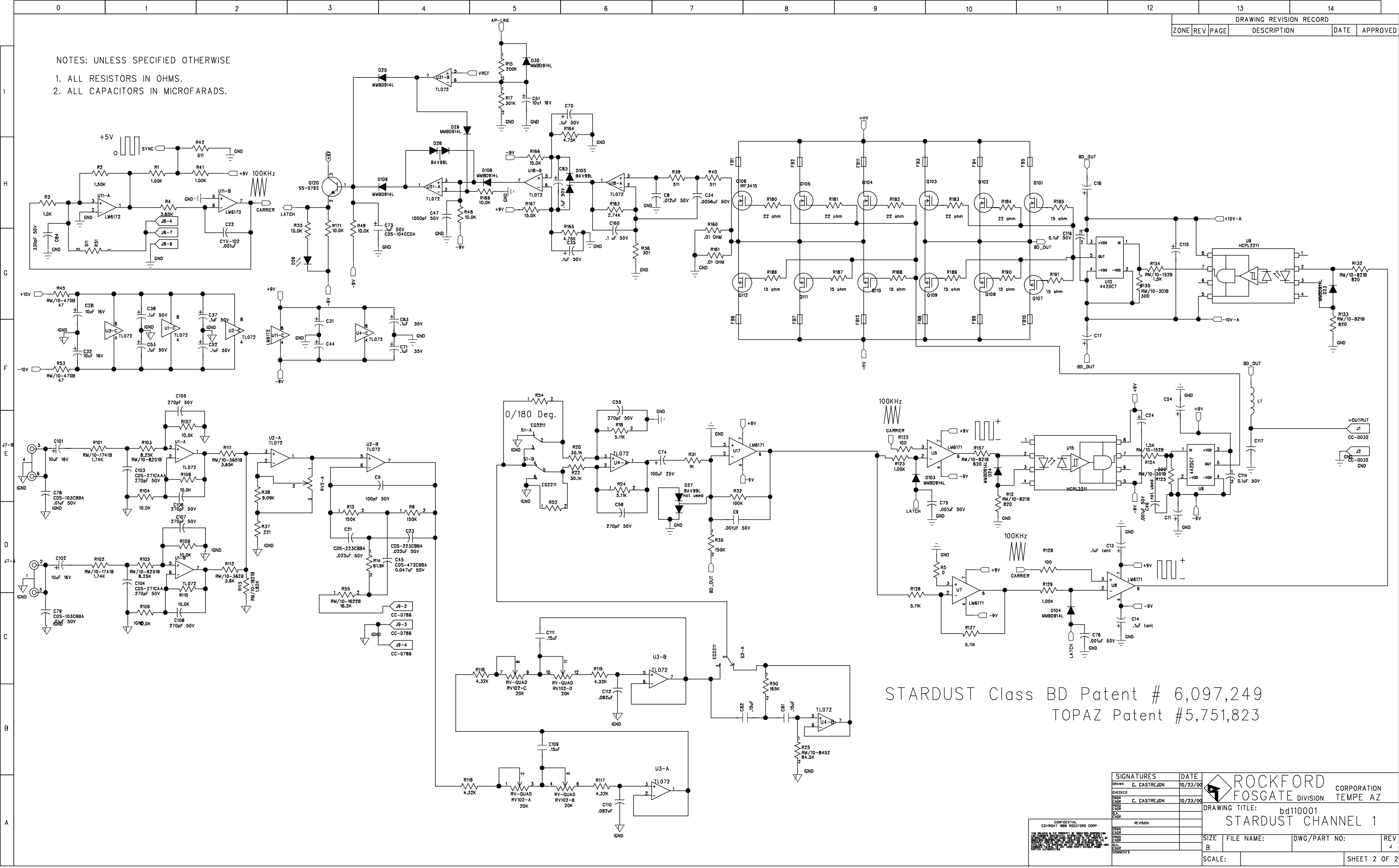


DRAWING REVISION RECORD					
ZONE	REV	PAGE	DESCRIPTION	DATE	APPROVED

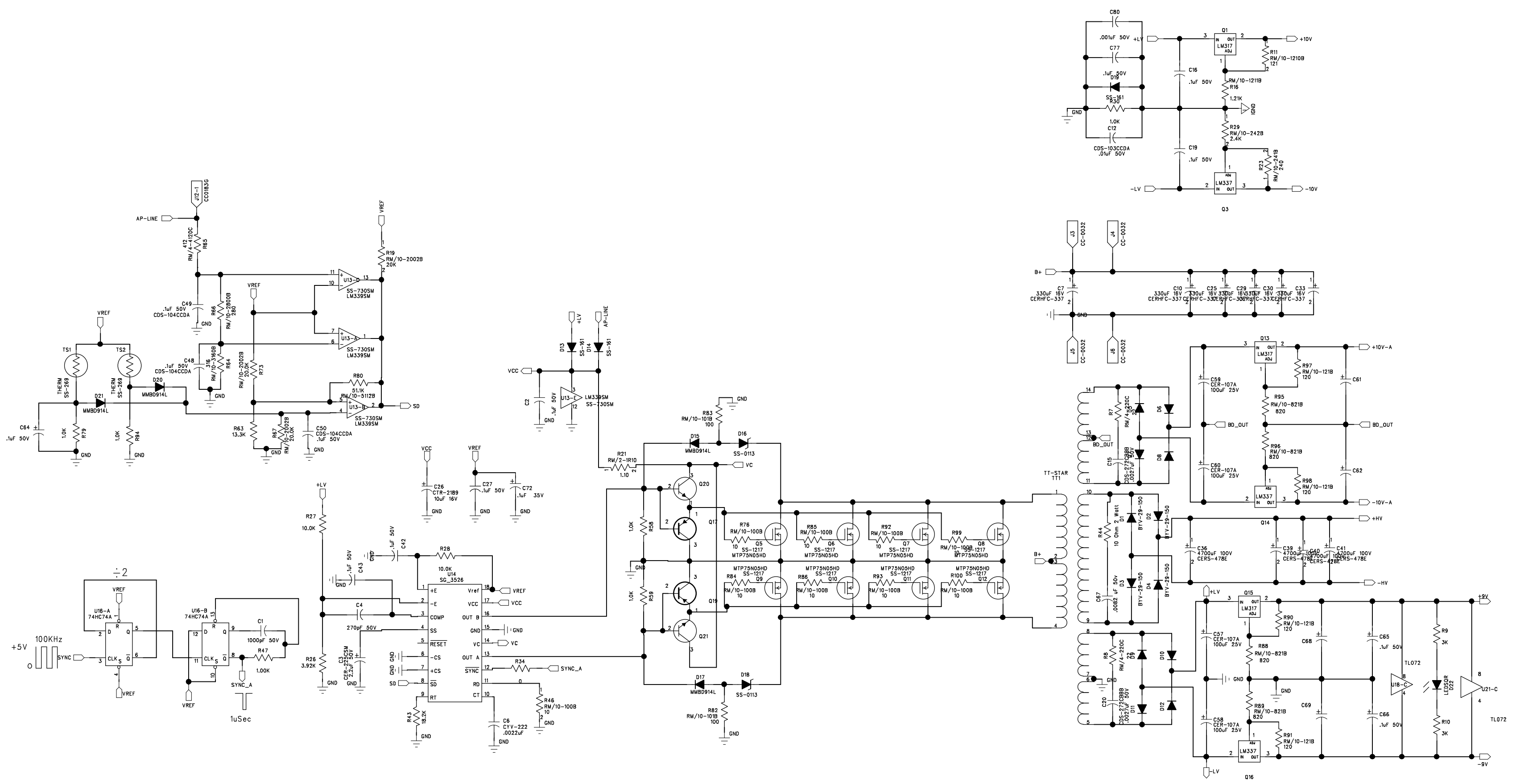
NOTES: UNLESS SPECIFIED OTHERWISE
 1. ALL RESISTORS IN OHMS.
 2. ALL CAPACITORS IN MICROFARADS.



STARDUST Class BD Patent # 6,097,249
 TOPAZ Patent #5,751,823

SIGNATURES		DATE	ROCKFORD FOSGATE CORPORATION DIVISION TEMPE AZ
DRAWN	C. CASTREJON	10/23/00	
CHECKED			
DESIGN	C. CASTREJON	10/23/00	
PROD			
Q.A.			
REVISION			
DRAWING TITLE: bd110001 STARDUST CHANNEL 1			
SIZE	FILE NAME:	DWG/PART NO:	REV
B			J
SCALE:			SHEET 2 OF 2

DRAWING REVISION RECORD					
ZONE	REV	PAGE	DESCRIPTION	DATE	APPROVED



C. Castrejon SIGNATURES DATE 10/23/00
 DRAWN 10/23/00
 CHECKED 10/23/00
 DESIGN 10/23/00
 ENGR 10/23/00
 PERS 10/23/00
 QA 10/23/00
 ENGR 10/23/00

ROCKFORD FOSGATE CORPORATION
 TEMPE AZ
 DIVISION
 8810001
 RUST POWER SUPPLY

REVISION	DATE	BY	DESCRIPTION

SIZE B FILE NAME: DWG/PART NO: REV
 SCALE: DO NOT SCALE DRAWING SHEET 1 OF 2

CONFIDENTIAL
 COPYRIGHT 1998 ROCKFORD CORP
 THIS DRAWING IS THE PROPERTY OF ROCKFORD CORPORATION
 AND IS NOT TO BE REPRODUCED OR TRANSMITTED IN ANY FORM
 OR BY ANY MEANS, ELECTRONIC OR MECHANICAL, INCLUDING
 PHOTOCOPYING, RECORDING, OR BY ANY INFORMATION STORAGE
 AND RETRIEVAL SYSTEM, WITHOUT THE WRITTEN PERMISSION OF
 ROCKFORD CORPORATION.