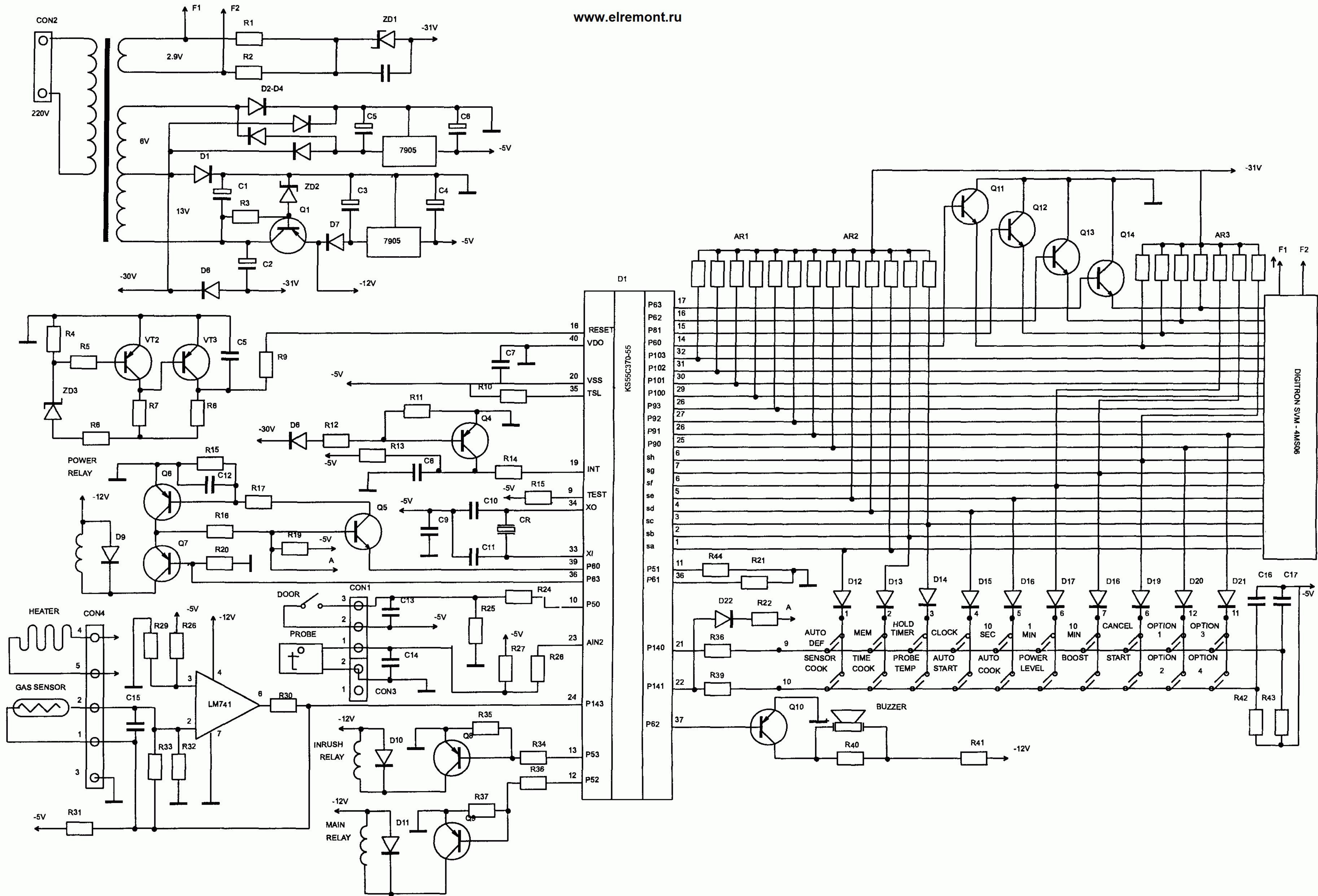


Принципиальная электрическая схема микроволновой печи "MX245 Samsung"



Принципиальная электрическая схема блока управления микроволновой печи "MX245 Samsung"

Samsung mx245_003

1 IC1 KS55C370
2 IC2 LM741
3 IC3 7905
4 Q1 B772
5 Q2-Q4 A539-Y
6 Q5 C815-Y
7 Q6-Q9 A539-Y
8 Q10 KSR2005
9 Q11-Q14 KSR1005
10 D1-D11 1N4001
11 D12-D22 1N4148
12 ZD1 5.1 V, 1 W
13 ZD2 13 V, 0.5 W
14 ZD3 3.9 V, 0.5 W
15 R1-R2 330R
16 R3-R5 470R
17 R6 560R
18 R7 5.6K
19 R8 5K
20 R9 1K
21 R10-R11 3K9
22 R12 10K
23 R13 4.7K
24 R14 5K
25 R15 3.9K
26 R16 10K
27 R17 3K9
28 R18-R20 10K
29 R21-R22 3K3
30 R23-R24 3K9
31 R25 10K
32 R26 3K9
33 R27 10K
34 R28 100K
35 R29 15K
36 R30 3K9
37 R31 100K
38 R32 25K
39 R33 200K
40 R34 3K9
41 R35 10K
42 R36 3K9
43 R37 10K
44 R38-R39 3K9
45 R40 1K
46 R41 100R
47 R42-R43 47K
48 AR1-AR3 7E473JYV 47K
49 C1-C2 470uF
50 C3 1000uF
51 C4-C5 470uF
52 C6 100uF
53 C7-C9 10nF
54 C10-C11 27pF
55 C12 10nF
56 C13-C14 100nF
57 C15 10nF
58 C16-C17 3n3F
59 C18 10nF
60 C19 100nF
61 CR CSA-2.00MGh Resonator
62 BUZZER ?
63 HG Indicator SVM-4MS06
64 L.V.T. 230V/13V/6V/2.9V-50Hz