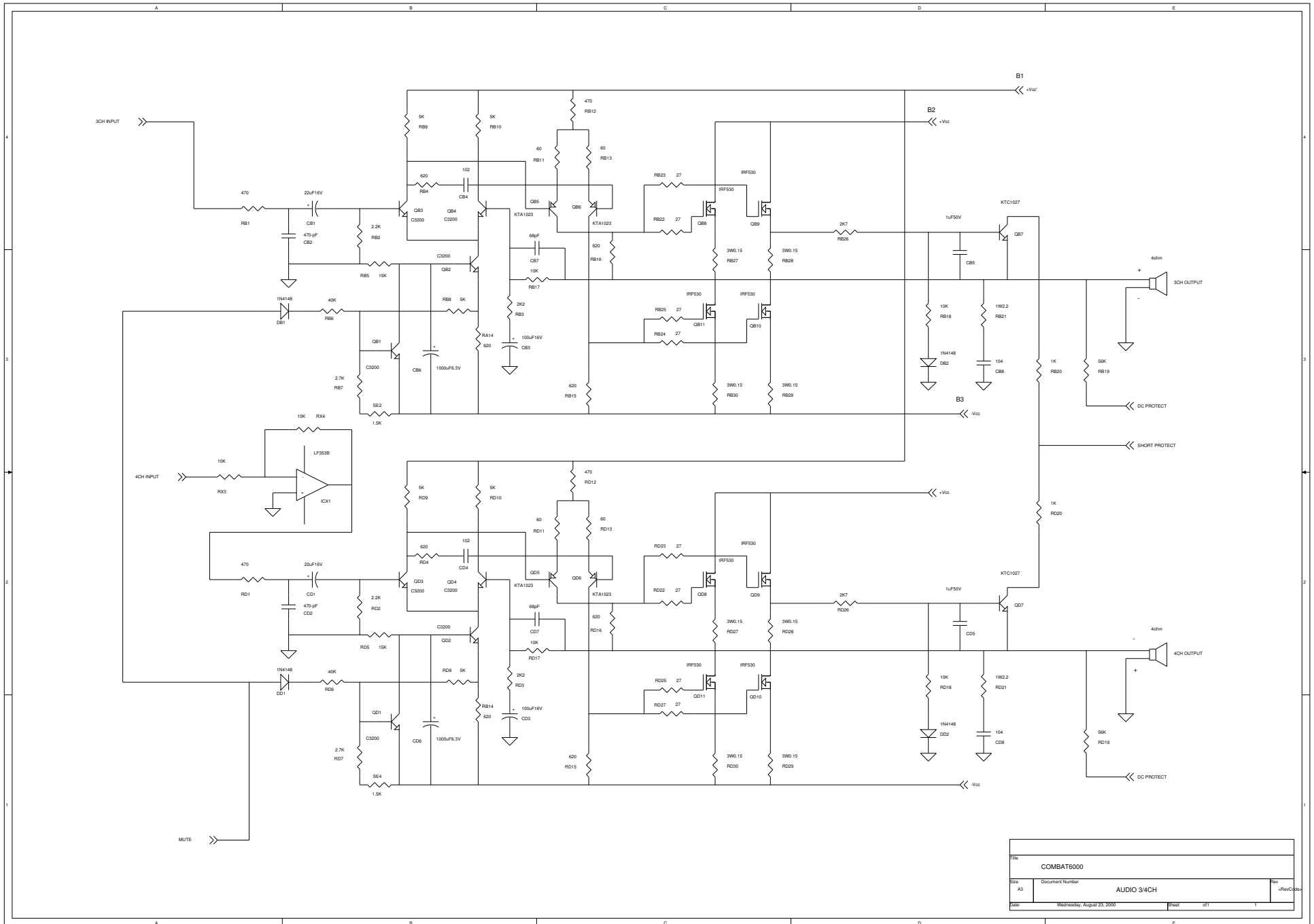
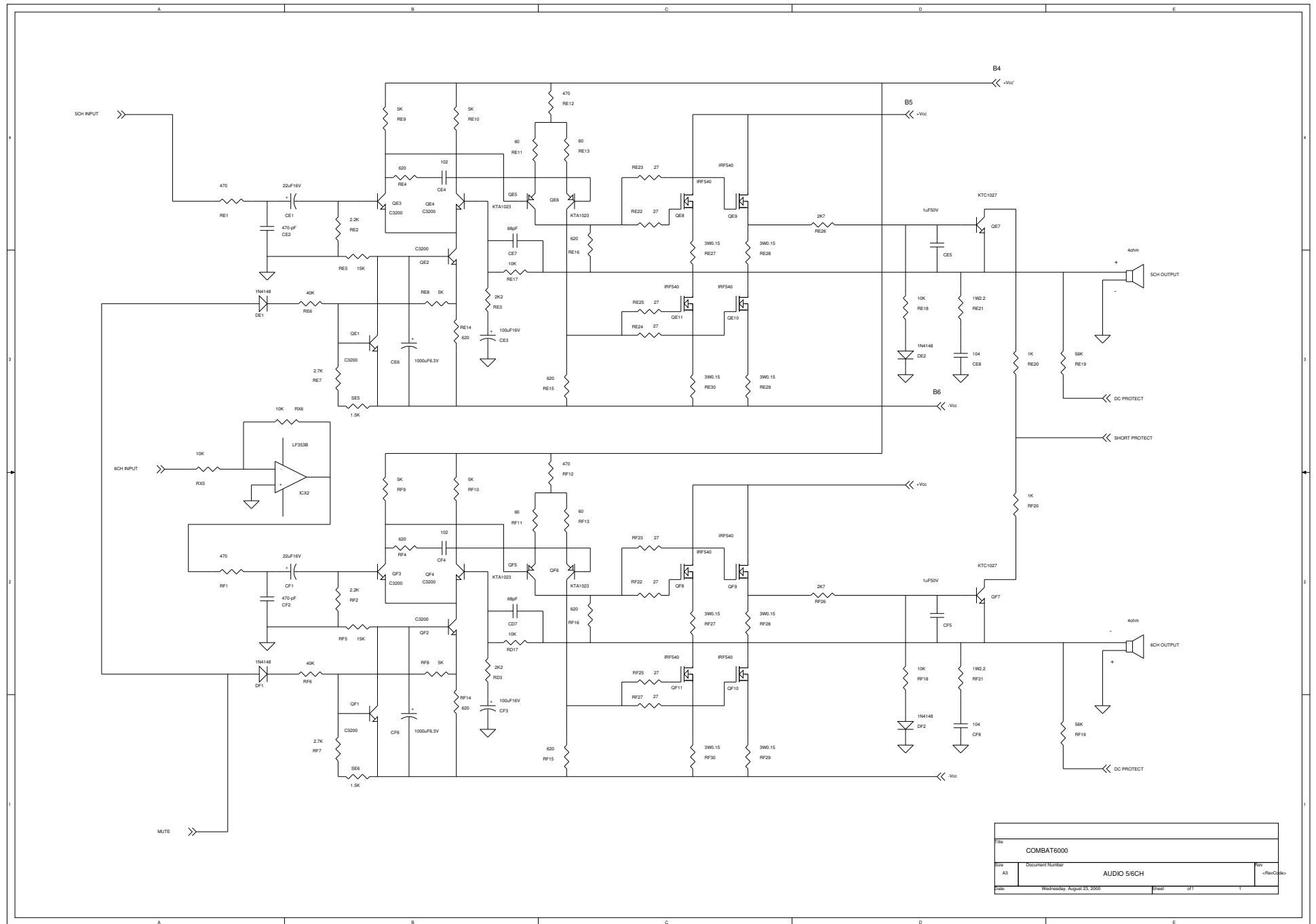


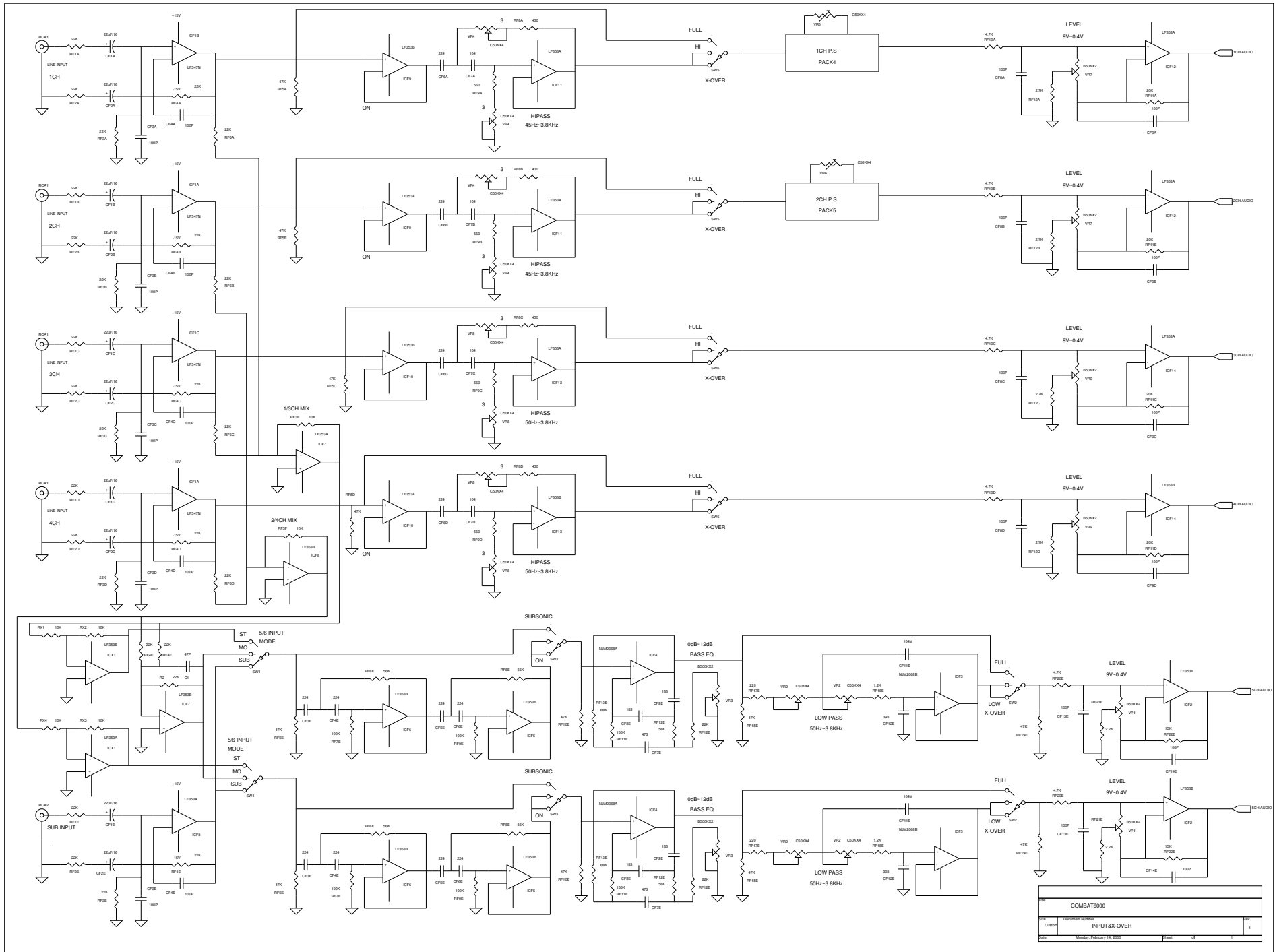
COMBAT6000	
Document Number	AUDIO 1/2CH
Tuesday, August 22, 2000	Sheet 01 1



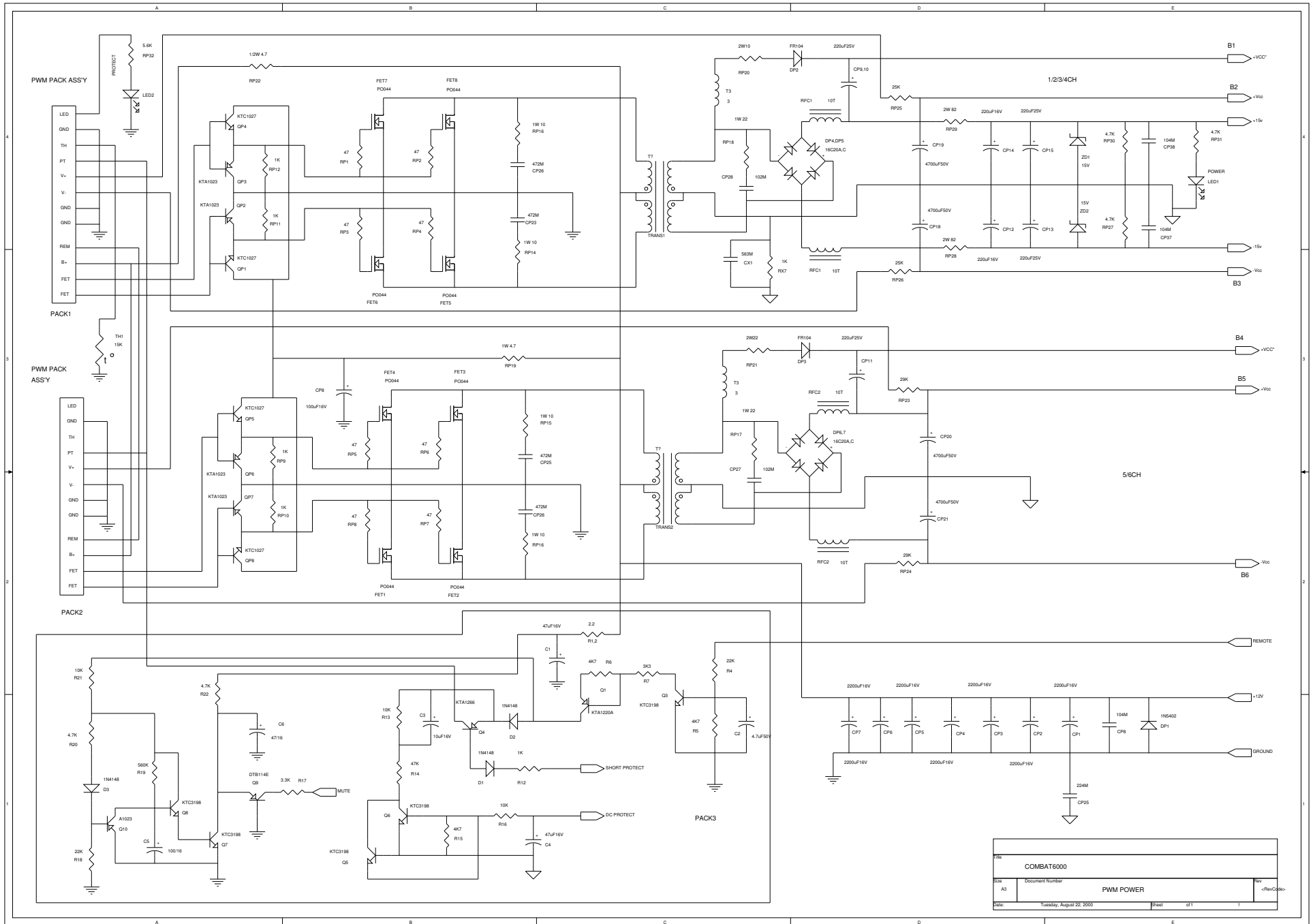
Rev		COMBAT6000	
Rev	Document Number	AUDIO 3/4CH	
Rev	Wednesday, August 23, 2000	Sheet	of 1



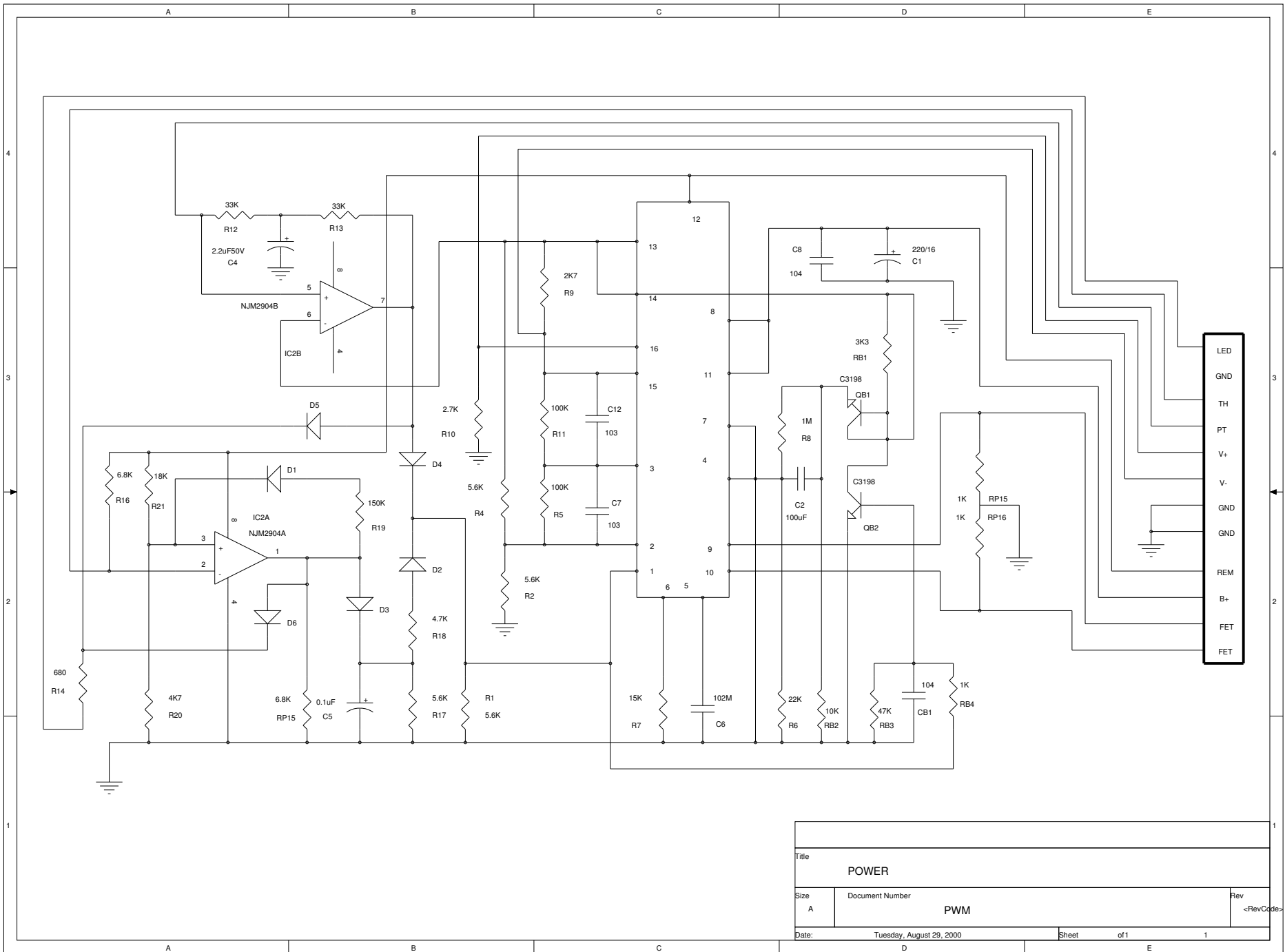
Title		COMBAT6000	
Size	Document Number		
A3	AUDIO 5/6CH	Rev	<Rev/Date>
Date	Wednesday, August 28, 2008	Sheet	01 1



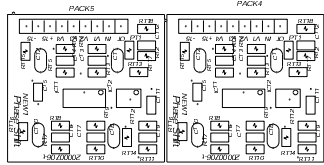
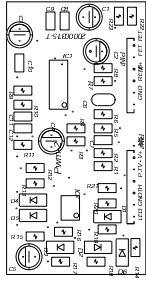
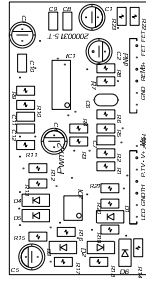
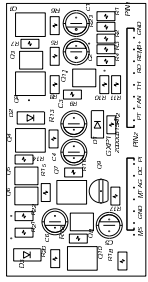
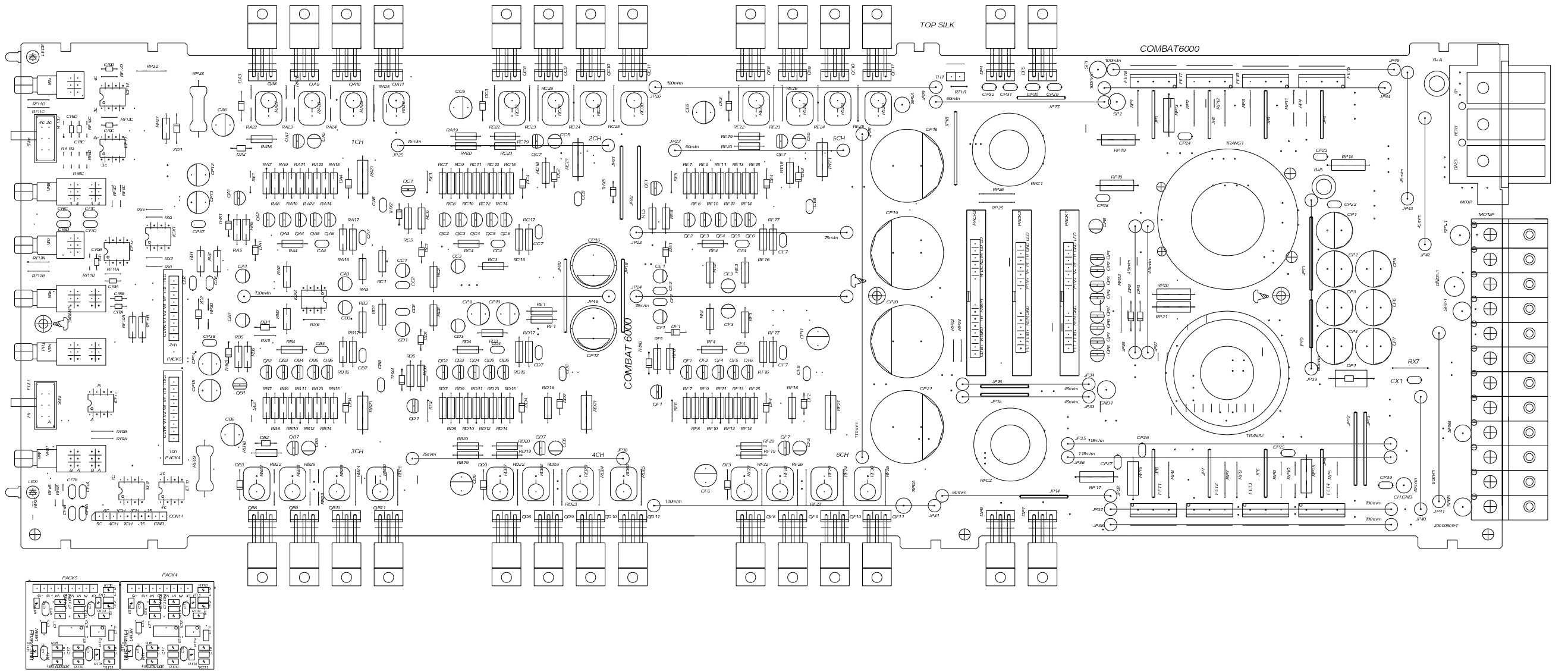
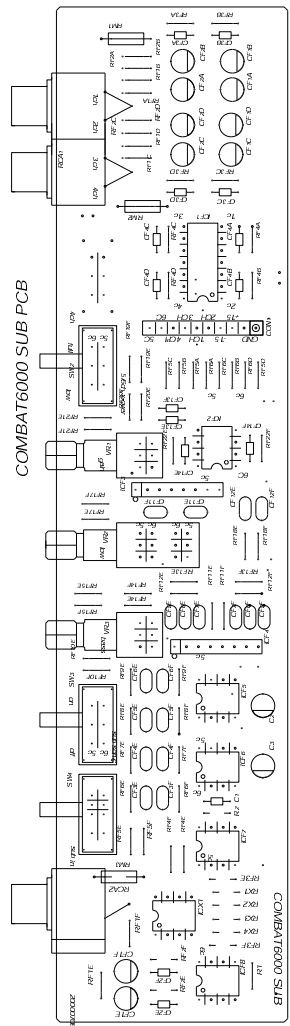
COMBAT6000	
Doc. Number	COMBAT6000
Current	INPUT&OVER
Date	Monday, February 14, 2005



File		COMBAT6000	
Size	Document Number	PWM POWER	
A3		v Rev C086	
Date	Thursday, August 22, 2008	Sheet	of 1



Title		
POWER		
Size	Document Number	Rev
A	PWM	<RevCode>
Date:	Tuesday, August 29, 2000	Sheet of 1 1



COMBAT6000 PARTS LIST

NO.	DESCRIPTION	SPECIFICATIONS	Q'TY	UNIT	DWG NO./SYM NO.or REMARK
		MAIN PCB ASS'Y			
1	AUTO INSERT				
2	MAIN PCB SIZE	FR4 528x180x1.6T (BLUE)	1	EA	
3	TRANSISTOR	A1023	16	EA	Q(A,B,C,D,E,F)5,6,QP2,3,6,7
4	TRANSISTOR	C1027	10	EA	Q(A,B,C,D,E,F)7,QP1.4.5.8
5	TRANSISTOR	C3200	24	EA	Q(A,B,C,D,E,F)1,2,3,4
6	DIODE	1N4148	12	EA	D(A,B,C,D,E,F)1,2
7	DIODE	FR104	2	EA	DP2,3
8	ZENER DIODE	1W 15 V	2	EA	ZD1,2
9	M.O RESISTOR	1W 10 ohm (GRAY)	4	EA	RP13,14,15,16
10	M.O RESISTOR	1W 2.2 ohm (GRAY)	6	EA	R(A,B,C,D,E,F)21
11	M.O RESISTOR	1W 4.7 ohm (GRAY)	1	EA	RP19
12	M.O RESISTOR	1W 10 ohm (GRAY)	1	EA	RP20
13	M.O RESISTOR	1W 22 ohm (GRAY)	3	EA	RP17,18,21
14	C.F RESISTOR	1/2W 4.7 ohm (S/M TYPE)	1	EA	RP22
15	C.F RESISTOR	1/4W 47 ohm 1%	8	EA	RP1,2,3,4,5,6,7,8
16	C.F RESISTOR	1/4W 27 ohm 1%	24	EA	R(A,B,C,D,E,F)22,23,24,25
17	C.F RESISTOR	1/4W 60 ohm 1%	12	EA	R(A,B,C,D,E,F)11,13
18	C.F RESISTOR	1/4W 470 ohm 1%	12	EA	R(A,B,C,D,E,F)1,12
19	C.F RESISTOR	1/4W 620 ohm 1%	24	EA	R(A,B,C,D,E,F)4,14,15,16
20	C.F RESISTOR	1/4W 1 Kohm 1%	11	EA	R(A,B,C,D,E,F)20
21					RP9,10,11,12,RX7
22	C.F RESISTOR	1/4W 2.2 Kohm 1%	12	EA	R(A,B,C,D,E,F)2,3
23	C.F RESISTOR	1/4W 2.7 Kohm 1%	12	EA	R(A,B,C,D,E,F)7,26
24	C.F RESISTOR	1/4W 4.7 Kohm 1%	4	EA	RF10(A,B),RP27,30
25	C.F RESISTOR	1/4W 5 Kohm 1%	18	EA	R(A,B,C,D,E,F)8,9,10
26	C.F RESISTOR	1/4W 5.6 Kohm 1%	1	EA	RP32
27	C.F RESISTOR	1/4W 10 Kohm 1%	12	EA	R(A,B,C,D,E,F)17,18
28	C.F RESISTOR	1/4W 15 Kohm 1%	4	EA	R(A,B,C,D)5
29	C.F RESISTOR	1/4W 18 Kohm 1%	6	EA	R(E,F)5
30	C.F RESISTOR	1/4W 25 Kohm 1%	2	EA	RP25,26
31	C.F RESISTOR	1/4W 40 Kohm 1%	6	EA	R(A,B,C,D,E,F)6
32	C.F RESISTOR	1/4W 56 Kohm 1%	6	EA	R(A,B,C,D,E,F)19
33	C.F RESISTOR	1/8W 430 ohm 1%	4	EA	RF8(A,B,C,D)
34	C.F RESISTOR	1/8W 560 ohm 1%	4	EA	RF9(A,B,C,D)
35	C.F RESISTOR	1/8W 1.6 Kohm 1%	6	EA	SE1,2,3,4,5,6
36	C.F RESISTOR	1/8W 2.7 Kohm 1%	4	EA	RF12(A,B),RF11(C,D)
37	C.F RESISTOR	1/8W 4.7 Kohm 1%	2	EA	RF10(C,D)
38	C.F RESISTOR	1/8W 6.8 Kohm 1%	2	EA	RP31,RTH1
39	C.F RESISTOR	1/8W 10 Kohm 1%	6	EA	RX1,2,3,4,5,6
40	C.F RESISTOR	1/8W 20 Kohm 1%	4	EA	RF11(A,B),RF12(C,D)
41	C.F RESISTOR	1/8W 29 Kohm 1%	2	EA	RP23,24
42	C.F RESISTOR	1/8W 47 Kohm 1%	2	EA	R3,4
43	ELEC-CAPACITOR	16V 22 uF(5*11)	6	EA	C(A,B,C,D,E,F)1
44	ELEC-CAPACITOR	16V 100 uF(5*11)	7	EA	C(A,B,C,D,E,F)3,CP8
45	ELEC-CAPACITOR	25V 220 uF(8*11)	7	EA	CP9,10,11,12,13,14,15
46	ELEC-CAPACITOR	50V 1 uF(5*11)	6	EA	C(A,B,C,D,E,F)5
47	ELEC-CAPACITOR	6.3V 1000 uF(8*11)	6	EA	C(A,B,C,D,E,F)6
48	MYLAR CAPACITOR	102	7	EA	C(A,B,C,D,E,F)4,CX1
49	MYLAR CAPACITOR	472	6	EA	CP23,24,25,26,27,28
50	MYLAR CAPACITOR	104	9	EA	C(A,B,C,D,E,F)8,CP22,37,38

COMBAT6000 PARTS LIST

NO.	DESCRIPTION	SPECIFICATIONS	Q'TY	UNIT	DWG NO./SYM NO.or REMARK
51	METALLIZED CAPA-	100nJ63 (104)	6	EA	CF7(A,B,C,D),CF6(C,D)
52	METALLIZED CAPA-	220nJ63 (224)	3	EA	CF6(A,B),CP39
53	AXIAL CAPACITOR	100 pF	8	EA	CF8,9(A,B,C,D)
54	CERAMIC CAPACITOR	68 pF	6	EA	C(A,B,C,D,E,F)7
55	CERAMIC CAPACITOR	470 pF	6	EA	C(A,B,C,D,E,F)2
56	HAND INSERT				
57	I.C	LF353N	8	EA	ICF9,10,11,12,13,14,ICX1,2
58	M.O RESISTOR	2W 82 ohm(FORMING)	2	EA	RP28,29
59	W.W RESISTOR	3W 0.15 ohm (R TYPE)	24	EA	R(A,B,C,D,E,F)27,28,29,30
60	F.E.T	IRF P044	8	EA	FET1,2,3,4,5,6,7,8
61	TRANSISTOR	IRF 530	16	EA	Q(A,B,C,D)8,9,10,11
62	TRANSISTOR	IRF 540	8	EA	Q(E,F)8,9,10,11
63	DIODE ARRAY	MOSPECU20A	2	EA	DP5,7
64	DIODE ARRAY	MOSPECU20C	2	EA	DP4,6
65	DIODE	1N5401	1	EA	DP1
66	ELEC-/CAPACITOR	16V 2200uF(12.6*25)105C	7	EA	CP1,2,3,4,5,6,7
67	ELEC-/CAPACITOR	50V 4700uF(25*30) 85C	4	EA	CP18,19,20,21
68	ELEC-/CAPACITOR	35V 2200uF(16*25) 85C	2	EA	CP16,17
69	VOLUME	V9M(7X9)C50KX4(C.C)	2	EA	VR5,6
70	VOLUME	V9M(7X9)B50KX2	2	EA	VR7,9
71	VOLUME	V9M(7X9)C50KX4	2	EA	VR4,8
72	POWER TRANS ASS'Y	36PHI(EPOXY COVER)	1	EA	TRANS1 6/13/3T. 10:1:1, 0.7:1.4:1
73	POWER TRANS ASS'Y	36PHI(EPOXY COVER)	1	EA	TRANS2 6/15/3T 10:1:1, 0.7:1.4:1
74	PACK	PWM-2A (PULSE WIDTH MODULATOR)	1	EA	PACK1
75	PACK	PWM-2B(PULSE WIDTH MODULATOR)	1	EA	PACK2
76	PACK	NEW1 PHASE SHIFT	2	EA	PACK4,5
77	PACK	GPX1 PACK	1	EA	PACK3
78	THERMISTOR	NTC5D-153JYW 1.3 (15KOHM)	1	EA	TH1 "NEW"(HAN NAE)
79	FILTER COIL	27PHI 2. 2LEAD 10T	2	EA	RFC1,2
80	SWITCH	KSA2242(9)	2	EA	SW5,6
81	LED	3PHI RED (H:3 mm, W:2mm)	1	EA	LED2
82	LED	3PHI GREEN (H:3mm, W:2mm)	1	EA	LED1
83	JUMP PLATE	0.8T 18m/m	13	EA	JP1,2,3,4,5,6,7,8,10,14,15,16,17
84	JUMP PLATE	0.8T 27m/m	8	EA	JP11,12,13,18,19,20,21,22
85	JUMP PLATE	2T 40m/m	1	EA	JP40
86	JUMP PLATE	2T 45m/m	6	EA	JP33,34,42,43,46,47
87	JUMP PLATE	2T 60m/m	4	EA	JP27,29,32,41
88	JUMP PLATE	2T 75m/m	4	EA	JP23,24,25,30
89	JUMP PLATE	2T 100m/m	6	EA	JP26,31,37,38,44,45
90	JUMP PLATE	2T 115m/m	3	EA	JP28,35,36
91	TERMINAL	JMT006U03GC090	1	EA	MO3P
92	TERMINAL	JMT017U12GC068	1	EA	MO12P
93	RING WIRE	#14 100m/m BLACK	1	EA	CH.GND
94	.. WIRE	#8 100m/m RED	1	EA	B+A
95	.. WIRE	#8 120m/m RED	1	EA	B+B
96	LEAD WIRE	#14 390m/m BLUE	1	EA	SP5A~SP5B
97	LEAD WIRE	#14 260m/m GREEN	1	EA	SP6A~SP6B
98	LEAD WIRE	#14 260m/m BLACK	1	EA	GND2~GND2-2 (....,)
99	WAFER	10P 2.5m/m PITCH	1	EA	CON1-1
100	FUSE HOLDER	WIRE-TYPE	2	EA	
101	FUSE PCB	FR4 20X28 (..)	1	EA	

COMBAT6000 PARTS LIST

NO.	DESCRIPTION	SPECIFICATIONS	Q'TY	UNIT	DWG NO./SYM NO.or REMARK
102	FUSE	40A LITTLE	2	EA	
103	COMBAT6000 SUB				
104	AUTO INSERT				
105	PCB SIZE	FR4 59x215x1.6T(BLUE)	1	EA	
106	C.F RESISTOR	1/4W 0 ohm (JUMPER)	3	EA	RM1,2,3
107	C.F RESISTOR	1/8W 220 ohm 1%	2	EA	RF17(E,F)
108	C.F RESISTOR	1/8W 1.2 Kohm 1%	2	EA	RF18(E,F)
109	C.F RESISTOR	1/8W 2.2 Kohm 1%	2	EA	RF21(E,F)
110	C.F RESISTOR	1/8W 4.7 Kohm 1%	2	EA	RF20(E,F)
111	C.F RESISTOR	1/8W 10 Kohm 1%	6	EA	RF3(E,F),RX1,2,3,4
112	C.F RESISTOR	1/8W 12 Kohm 1%	1	EA	R2
113	C.F RESISTOR	1/8W 15 Kohm 1%	2	EA	RF22(E,F)
114	C.F RESISTOR	1/8W 22 Kohm 1%	26	EA	RF1,2,4(A,B,C,D,E,F),RF3,6(A,B,C,D)
115	C.F RESISTOR	1/8W 27 Kohm 1%	2	EA	RF14(E,F)
116	C.F RESISTOR	1/8W 47 Kohm 1%	13	EA	RF5(A,B,C,D,E,F),RF10,15,19(E,F),R1
117	C.F RESISTOR	1/8W 56 Kohm 1%	6	EA	RF6,8,12(E,F)
118	C.F RESISTOR	1/8W 68 Kohm 1%	2	EA	RF13(E,F)
119	C.F RESISTOR	1/8W 100 Kohm 1%	4	EA	RF7,9(E,F)
120	C.F RESISTOR	1/8W 150 Kohm 1%	2	EA	RF11(E,F)
121	AXIAL	47pF	1	EA	C1
122	AXIAL	100pF	12	EA	CF3,4(A,B,C,D),CF2,14(E,F)
123	AXIAL	470pF	2	EA	CF13(E,F)
124	MYLAR/CAPACITOR	183K	4	EA	CF8,9(E,F)
125	MYLAR/CAPACITOR	473	2	EA	CF7(E,F)
126	METAL/CAPACITOR	393	2	EA	CF12(E,F)
127	METAL/CAPACITOR	100nJ63	2	EA	CF11(E,F)
128	METAL/CAPACITOR	220nJ63	8	EA	CF3,4,5,6(E,F)
129	ELEC-/CAPACITOR	16V 22 uF(5*11)	12	EA	CF1(A,B,C,D,E,F),CF2(A,B,C,D),C2,3
130	HAND INSERT				
131	I.C	LF347	1	EA	ICF1
132	I.C	LF353N	6	EA	ICF2,5,6,7,8,ICX1
133	I.C	NJM2068L	2	EA	ICF3,4
134	RCA JACK	JW-1409 BG (1P GOLD "BLACK")	1	EA	"NEW"
135	RCA JACK	4P GOLD BLACK	1	EA	RCA1
136	SWITCH	KSA2242(9)	2	EA	SW2,3
137	SWITCH	KSA2342T(9)	1	EA	SW4
138	VOLUME	V9M(7X5)-3B50KX2	1	EA	VR1
139	VOLUME	V9M(7X5)G(6R)15KC-15C50KX4	1	EA	VR2
140	VOLUME	V9M(7X5)G3(PH2R)15KC-3B500KX2	1	EA	VR3
141	CONNECTOR WIRE	10P 2.5m/m PITCH 60mm	1	EA	CON1
*****PULSE WIDTH MODULATOR NEW PCB (PWM2A)***** MODIFICATION VERSION 1.1					
1	AUTO INSERT				
2	P.C BOARD	31X59X1.6T(FR4) (BLUE)	1	EA	PWM-2
3	CHIP I.C	KIA 494F OR TL494C	1	EA	IC1
4	CHIP I.C	NJM 2904M	1	EA	IC2
5	CHIP TRANSISTOR	KTC4373Y	2	EA	QB1,2 (.. ..)
6	CHIP S/W DIODE	1N4148	6	EA	D1,2,3,4,5,6
7	CHIP RESISTOR	2012 680 ohm	1	EA	R14
8	CHIP RESISTOR	2012 1 Kohm	2	EA	R22,23
9	CHIP RESISTOR	2012 2.7 Kohm	2	EA	R9,10
10	CHIP RESISTOR	2012 3.3 Kohm	1	EA	RB1 (....)

COMBAT6000 PARTS LIST

NO.	DESCRIPTION	SPECIFICATIONS	Q'TY	UNIT	DWG NO./SYM NO.or REMARK
11	CHIP RESISTOR	2012 4.7 Kohm	2	EA	R18,20
12	CHIP RESISTOR	2012 5.6 Kohm	3	EA	R1,2,4
13	CHIP RESISTOR	2012 10 Kohm	3	EA	R15 ,RB2 , 4 (RB2 , 4.)
14	CHIP RESISTOR	2012 6.8 Kohm	1	EA	R16
15	CHIP RESISTOR	2012 15 Kohm	1	EA	R7
16	CHIP RESISTOR	2012 18 Kohm	1	EA	R21
17	CHIP RESISTOR	2012 22 Kohm	2	EA	R6,17
18	CHIP RESISTOR	2012 33 Kohm	2	EA	R12,13
19	CHIP RESISTOR	2012 47 Kohm	1	EA	RB3 (.. ..)
20	CHIP RESISTOR	2012 100 Kohm	2	EA	R5,11
21	CHIP RESISTOR	2012 330 Kohm	1	EA	R19
22	CHIP RESISTOR	2012 1 Mohm	1	EA	R8
23	CHIP CERAMIC	0.01 uF(103'K')	2	EA	C7,12
24	CHIP CERAMIC	0.1 uF(104'K')	3	EA	C8 , 9 ,CB1 (CB1.)
25	METAL CAPACITOR	0.001uF (102)	1	EA	C6
26	HAND INSERT				
27	LFAD WIRE	#28 30mm WHITE HI LAB (..	1	EA	PWM-2
28	ELEC CAPCITOR	50V 0.1uF(5X11)2.5m/mPITCH	1	EA	C5 "NEW"
29	ELEC CAPCITOR	50V 2.2uF(5X11)2.5m/mPITCH	1	EA	C4 "NEW"
30	ELEC CAPCITOR	16V 22uF(5X11)2.5m/mPITCH	1	EA	C3 "NEW"
31	ELEC CAPCITOR	16V 100uF(5X11)2.5m/mPITCH	1	EA	C2 "NEW"
32	ELEC CAPCITOR	16V 220uF(6.3X11)2.5m/mPITCH	1	EA	C1 "NEW"
33	ANGLE WAFER	FAU0640-06 (N-N' : 3.5m/m)	1	EA	PIN1
34	ANGLE WAFER	FAU0640-07 (N-N' : 3.5m/m)	1	EA	PIN2
*****PULSE WIDTH MODULATOR NEW PCB (PWM2B)***** MODIFICATION VER 1.0					
1	AUTO INSERT				
2	P.C BOARD	31X59X1.6T(FR4) (BLUE)	1	EA	PWM-2
3	CHIP I.C	KIA 494F OR TL494C	1	EA	IC1
5	CHIP TRANSISTOR	KTC4373Y	2	EA	QB1 , 2 (.. ..)
8	CHIP RESISTOR	2012 1 Kohm	2	EA	R22,23
9	CHIP RESISTOR	2012 2.7 Kohm	2	EA	R9,10
10	CHIP RESISTOR	2012 3.3 Kohm	1	EA	RB1 (....)
12	CHIP RESISTOR	2012 5.6 Kohm	3	EA	R1,2,4
13	CHIP RESISTOR	2012 10 Kohm	2	EA	RB2 , 4 (....)
15	CHIP RESISTOR	2012 15 Kohm	1	EA	R7
17	CHIP RESISTOR	2012 22 Kohm	1	EA	R6
19	CHIP RESISTOR	2012 47 Kohm	1	EA	RB3 (.. ..)
20	CHIP RESISTOR	2012 100 Kohm	2	EA	R5,11
22	CHIP RESISTOR	2012 1 Mohm	1	EA	R8
23	CHIP CERAMIC	0.01 uF(103'K')	2	EA	C7,12
24	CHIP CERAMIC	0.1 uF(104'K')	3	EA	C8 , 9 ,CB1 (CB1.)
25	METAL CAPACITOR	0.001uF (102)	1	EA	C6
26	HAND INSERT				
27	LFAD WIRE	#28 30mm WHITE HI LAB (..	1	EA	PWM-2
29	ELEC CAPCITOR	50V 2.2uF(5X11)2.5m/mPITCH	0	EA	
30	ELEC CAPCITOR	16V 22uF(5X11)2.5m/mPITCH	1	EA	C3 "NEW"
31	ELEC CAPCITOR	16V 100uF(5X11)2.5m/mPITCH	1	EA	C2 "NEW"
32	ELEC CAPCITOR	16V 220uF(6.3X11)2.5m/mPITCH	1	EA	C1 "NEW"
33	ANGLE WAFER	FAU0640-06 (N-N' : 3.5m/m)	1	EA	PIN1
34	ANGLE WAFER	FAU0640-07 (N-N' : 3.5m/m)	1	EA	PIN2
****GPX1 PACK**** Without Fan Circuit					

COMBAT6000 PARTS LIST						
NO.	DESCRIPTION	SPECIFICATIONS	Q'TY	UNIT	DWG NO./SYM NO.or REMARK	
1	AUTO INSERT					
2	GPX1 PCB	FR4 58x30x1.6T	1	EA		
3	TRANSISTOR (CHIP)	KTC4373Y	1	EA	Q7	
4	TRANSISTOR (CHIP)	KTA1661Y	3	EA	Q1,4,10	
5	TRANSISTOR (CHIP)	KTC3875Y	4	EA	Q3,5,6,8	
6	TRANSISTOR	A114E	1	EA	Q9	
7	DOIDE (CHIP)	1N4148	3	EA	D1,2,3	
8	C/F RESISTOR(CHIP)	2012 2.2 ohm	2	EA	R1,23	
9	C/F RESISTOR(CHIP)	2012 1 Kohm	1	EA	R12	
10	C/F RESISTOR(CHIP)	2012 3.3 Kohm	2	EA	R7,17	
11	C/F RESISTOR(CHIP)	2012 4.7 Kohm	5	EA	R5,6,15,20,22	
12	C/F RESISTOR(CHIP)	2012 10 Kohm	3	EA	R13,16,21	
13	C/F RESISTOR(CHIP)	2012 22 Kohm	2	EA	R4,18	
14	C/F RESISTOR(CHIP)	2012 47 Kohm	1	EA	R14	
15	C/F RESISTOR(CHIP)	2012 330 Kohm	1	EA	R19	
16	HAND INSERT					
17	ELEC-/CAPACITOR	16V 10 uF(5x11)2.5m/mPITCH	1	EA	C3	"NEW"
18	ELEC-/CAPACITOR	16V 47 uF(5x11)2.5m/mPITCH	3	EA	C1,4,6	"NEW"
19	ELEC-/CAPACITOR	16V 100 uF(5x11)2.5m/mPITCH	1	EA	C5	"NEW"
20	ELEC-/CAPACITOR	50V 4.7 uF(5x11)2.5m/mPITCH	1	EA	C2	"NEW"
21	ANGEL WAFER	FAU 0640-06P (N,N':3.5m/m)	1	EA		
22	ANGEL WAFER	FAU 0640-08P (N,N':3.5m/m)	1	EA		
	****PHASE SHIFT NEW-1****	Quantity 2 EA				
1	AUTO INSERT					
2	PCB	FR4 32X34X1.6T	1	EA	PHASE SHIFT NEW-1	
3	CHIP I.C	NJM 4741M	1	EA	ICT1	
4	CHIP I.C	NJM 2068M	1	EA	ICT2	
5	CHIP RESISTOR	2012 1 Kohm	6	EA	RT13,14,15,16,17,18	
6	CHIP RESISTOR	2012 10 Kohm	10	EA	RT3,4,5,6,7,8,9,10,11,12	
7	CHIP RESISTOR	2012 47 Kohm	1	EA	RT2	
8	CHIP CERAMIC	2012 33 pF	5	EA	CT3,4,6,7,9	
9	CHIP CERAMIC	2012 470 pF	1	EA	CT12	
10	CHIP CERAMIC	2012 104 pF	2	EA	CT5,11	
11	MYLAR CAPACTOR	0.047uF(473 'K')	4	EA	CT1,2,8,10	
12	HAND INSERT					
13	ANGLE WAFER	FAU0640-09	1	EA	PT1 (N-N':3.5m/m)	
****	SET ACC,Y****					
	FUSE(LITTLE)	40A	2	EA		