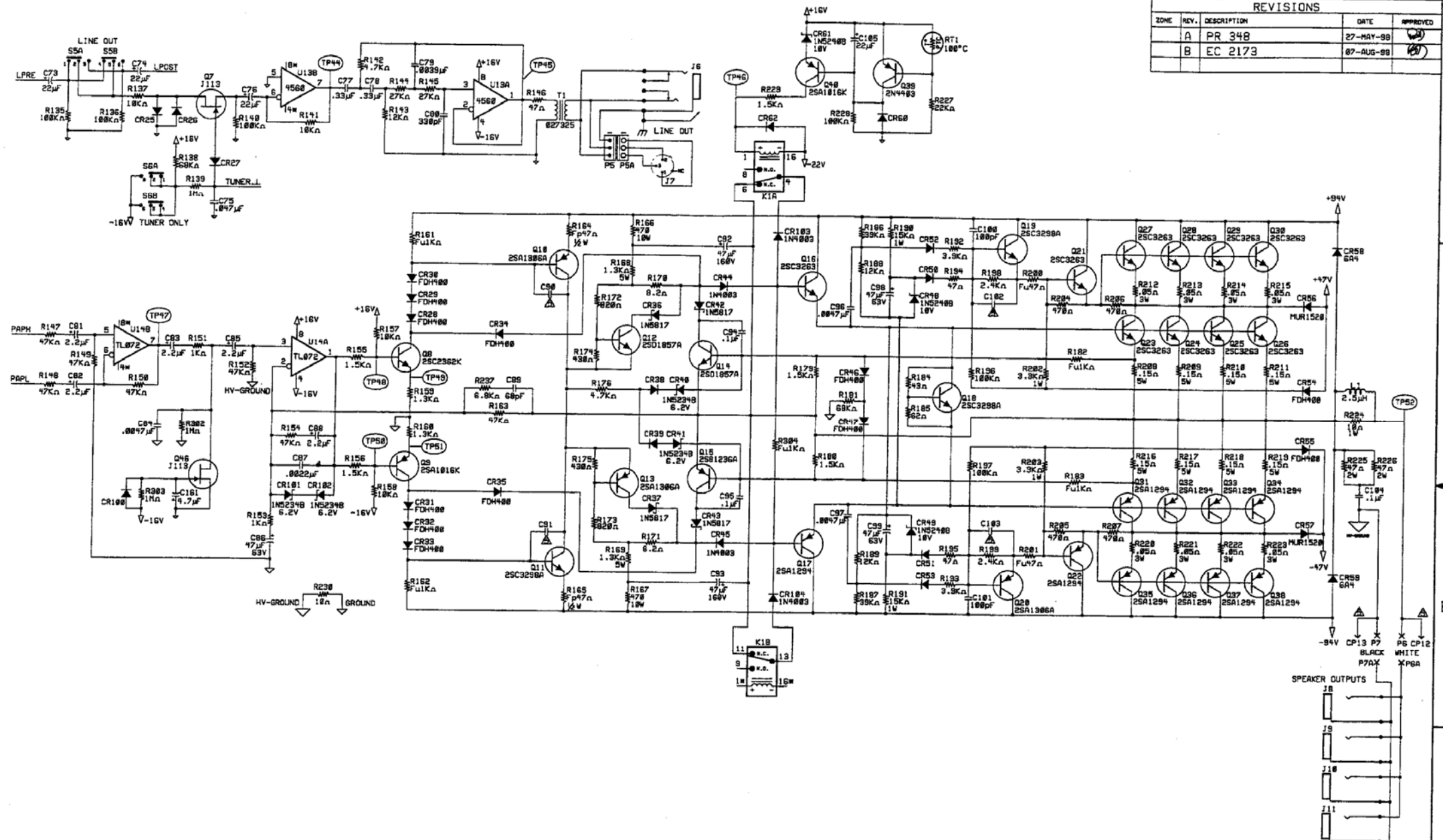


REVISIONS				
ZONE	REV.	DESCRIPTION	DATE	APPROVED
	A	PR 348	27-MAY-88	(S)
	B	EC 2173	07-AUG-88	(S)



NOTES: UNLESS OTHERWISE SPECIFIED  
 1. ALL RESISTORS IN OHMS,  $\mu$ W, SW.  
 2. ALL UNPOLARIZED CAPACITORS IN  $\mu$ F, 50V (MIN.), 10% OR BETTER.  
 3. ALL POLARIZED CAPACITORS IN  $\mu$ F, 50V (MIN.), 20%.  
 4. ALL SIGNAL DIODES ARE 1N4448.  
 \* C98-91, C102-103, CP12-13 NOT STUFFED.

DATABASE FILE: 231852.DB CHECKED BY: B. D. ... DATE: 10-AUG-90 APPROVED: [Signature] DATE: 10-21-90 TOLERANCES: ±0.1% X.XX ±0.05% X.XXX ±0.005% ANGLES ±0.5°	<b>PROPRIETARY</b> THIS DRAWING OR ANY PART THEREOF IS THE PROPERTY OF THE DESIGNER AND IS NOT TO BE REPRODUCED OR TRANSMITTED IN ANY FORM OR BY ANY MEANS WITHOUT THE WRITTEN CONSENT OF: FISHKILL MUSICAL INSTRUMENTS CO. 2621 RESEARCH DRIVE CORONA, CA 91728 USA NEXT HIGHER ASSEMBLY.	<b>MUSICAL INSTRUMENTS</b> 2621 RESEARCH DRIVE CORONA, CA 91728 USA TITLE: SERVICE DIAGRAM, COMB. (continued) SUNN 1200S BASS AMPLIFIER SIZE: [ ] DRAWING NO: 0053905000 REV. B DATE: 1-FEB-91 SCALE: PLOTTED: 18-AUG-88 SHEET 2 OF 4
---	---	--

