

POWER AMPLIFIER

XP 600/1000

SERVICE MANUAL



PHONIC
WWW.PHONIC.COM

POWER AMPLIFIER

XP600/1000

SERVICE MANUAL

CONTENTS

PANEL LAYOUT.....3

SYSTEM BLOCK DIAGRAM.....5

PCB

POWER AMPLIFIER PCB.....6

POWER SUPPLY PCB.....7

MODE & POWER ON DISPLAY PCB.....8

INPUT PCB.....9

SPEAKON OUTPUT PCB.....11

LEVEL & STATUS DISPLAY.....12

SCHEMATICS

POWER AMPLIFIER SCHEMATIC.....14

POWER SUPPLY SCHEMATIC.....16

INPUT & CONTROL DISPLAY SCHEMATICS17

PART LIST

POWER AMPLIFIER PCB-PART LIST.....18

POWER SUPPLY PCB-PART LIST.....22

MISCELLANEOUS ITEMS.....26

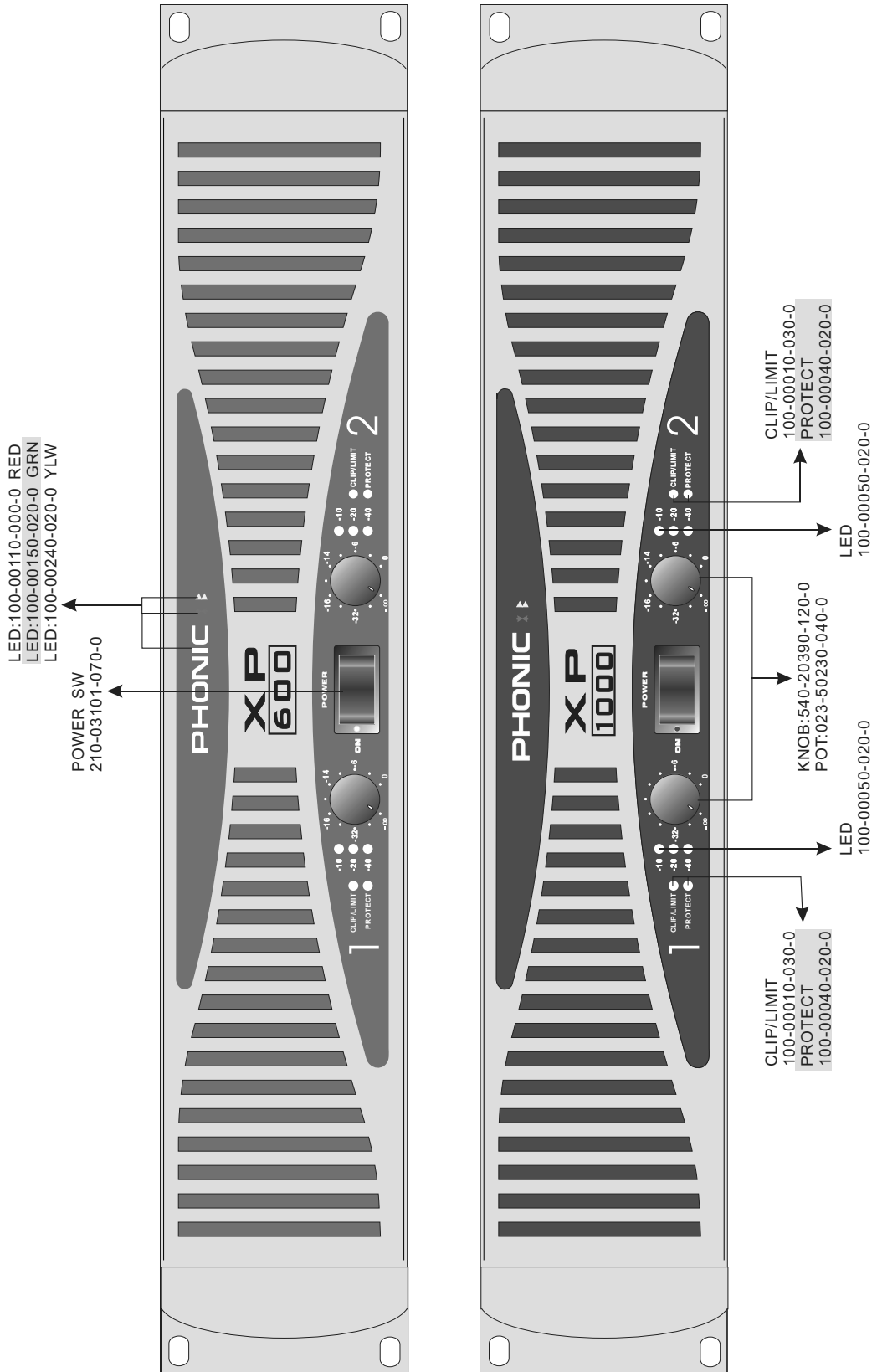
POWER REQUIREMENT CLASSIFICATION.....29

DIMENSIONS.....33

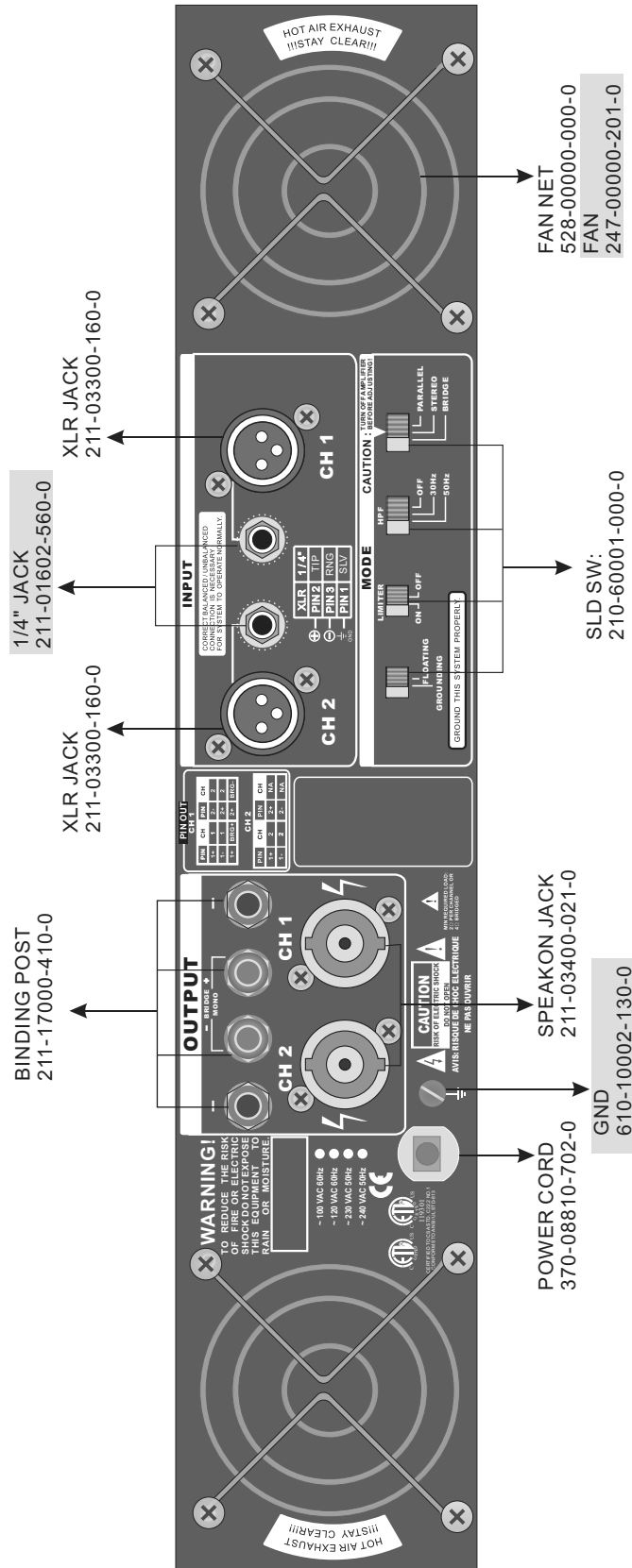
Phonic reserves the right to improve or alter any information supplied within this document without prior notice.

V2.1
09/05/02

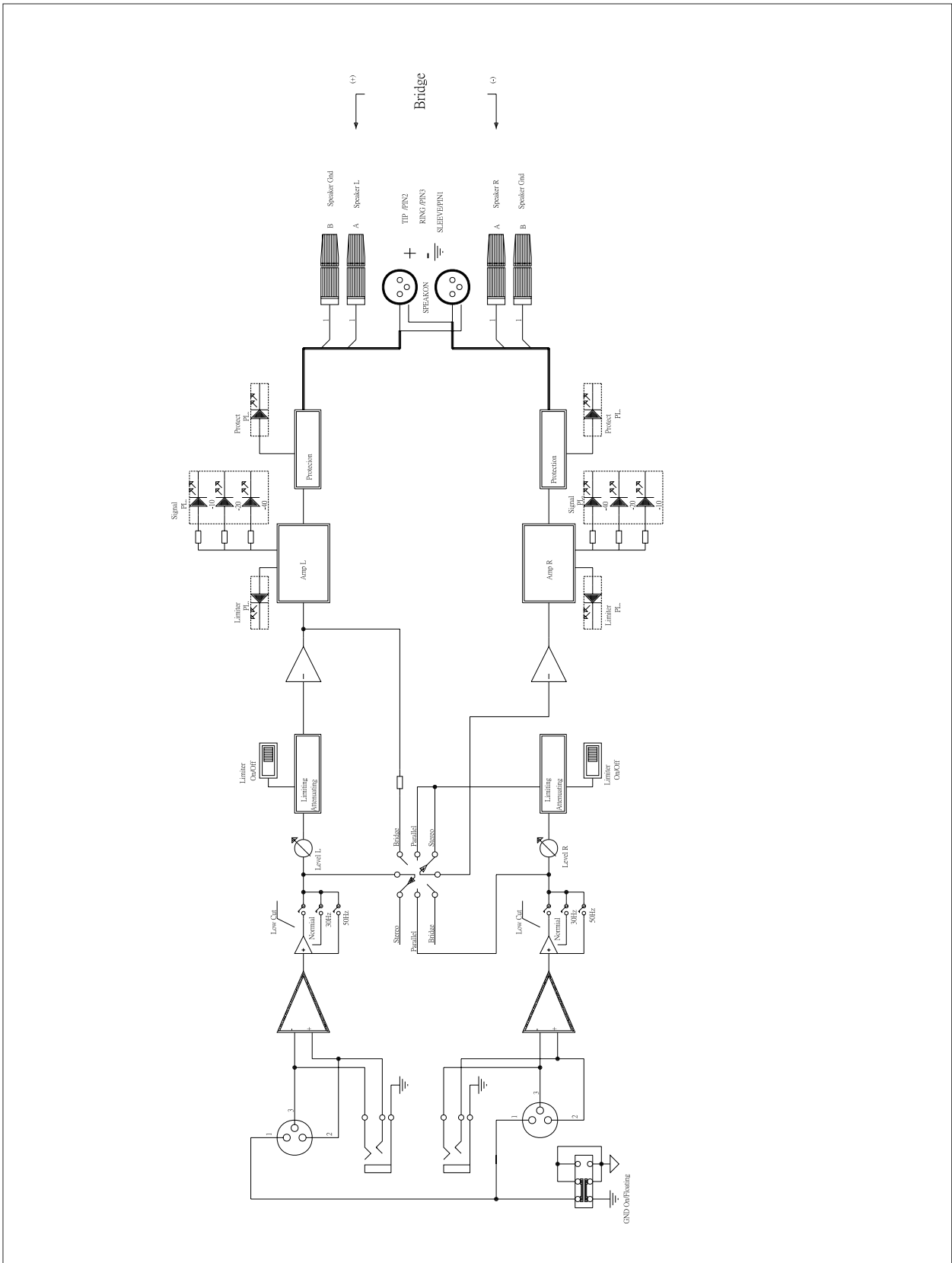
XP 600/1000 (FRONT)



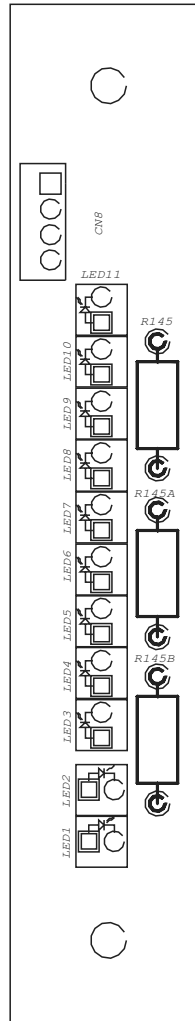
XP 600/1000 (REAR)



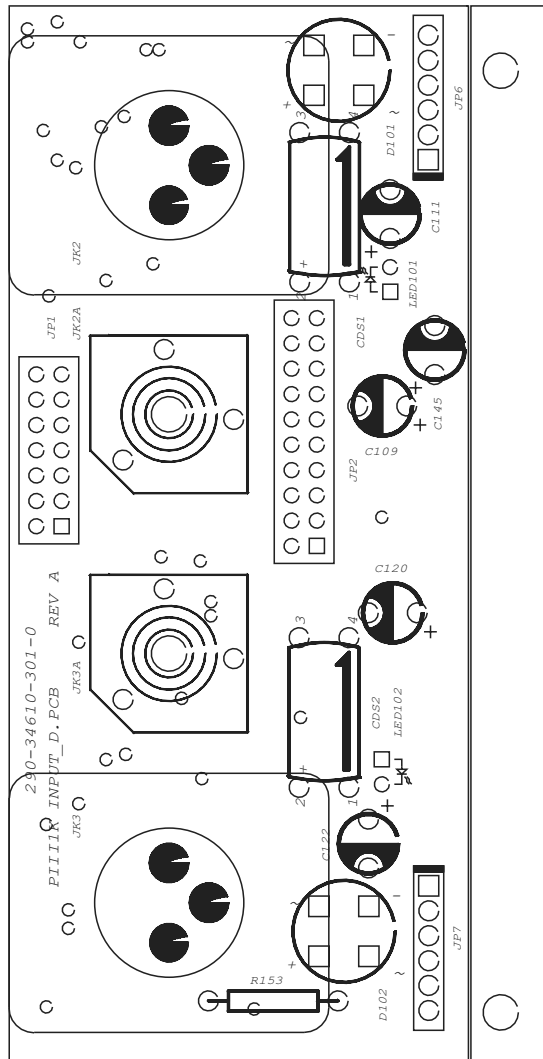
SYSTEM BLOCK DIAGRAM



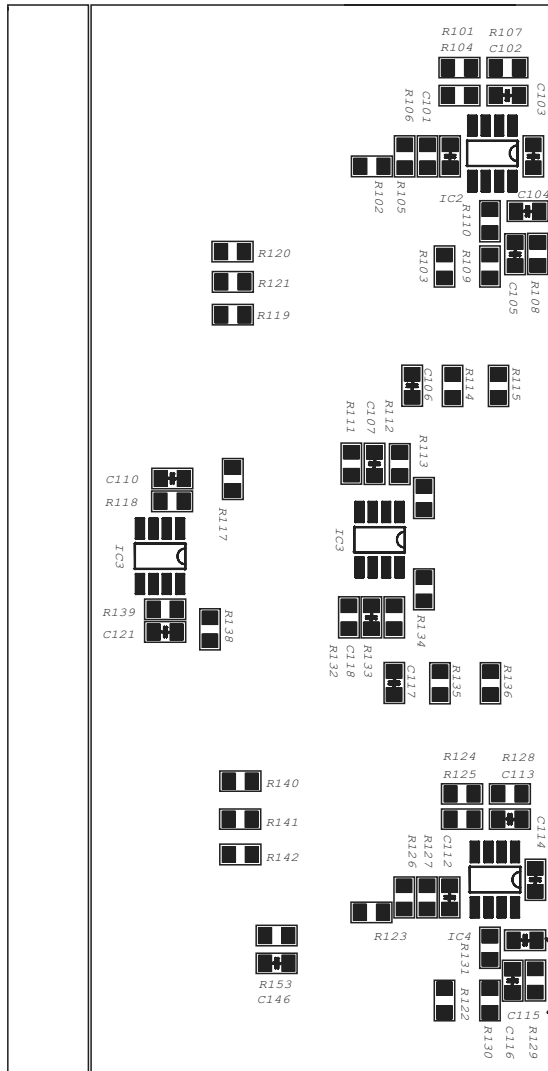
MODE & POWER ON DISPLAY PCB



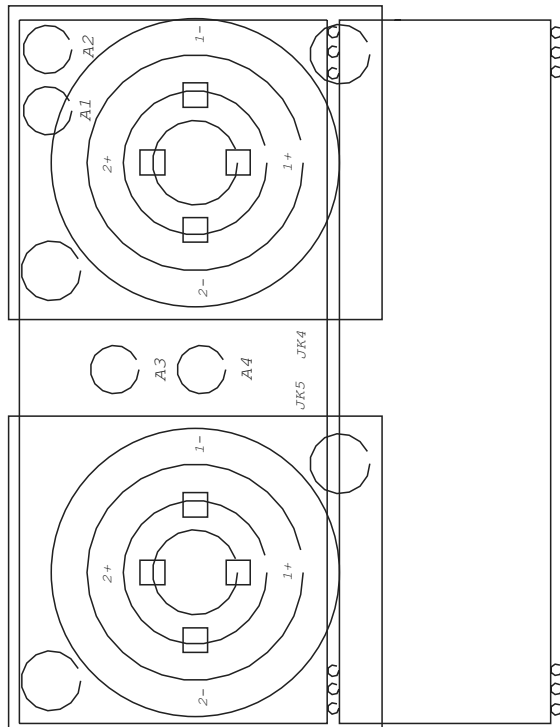
INPUT PCB (FRONT)



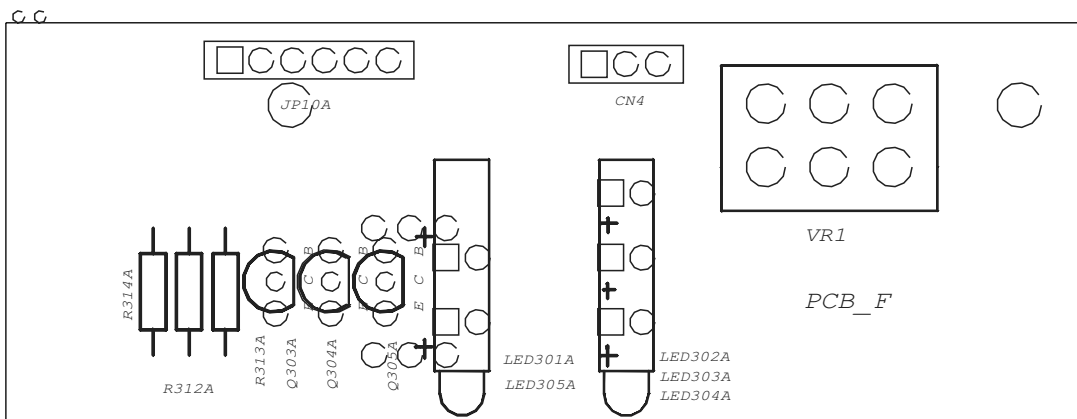
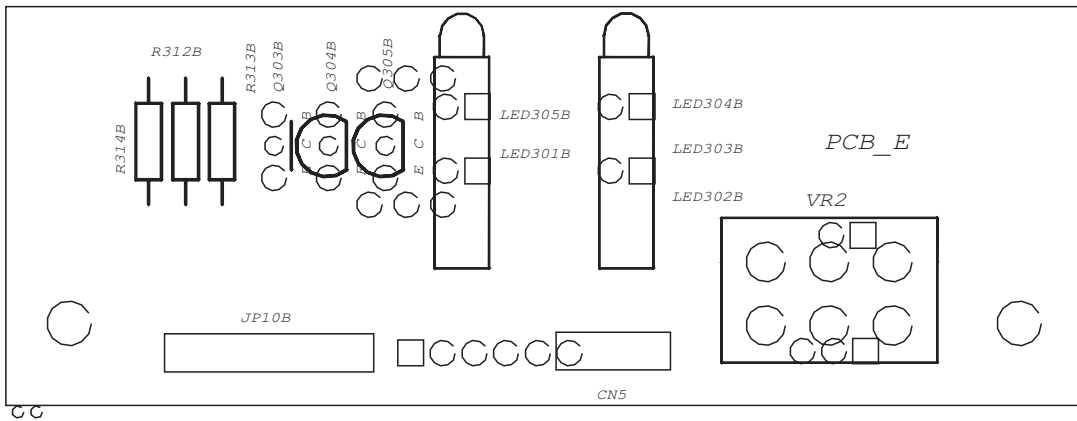
INPUT PCB (REAR)



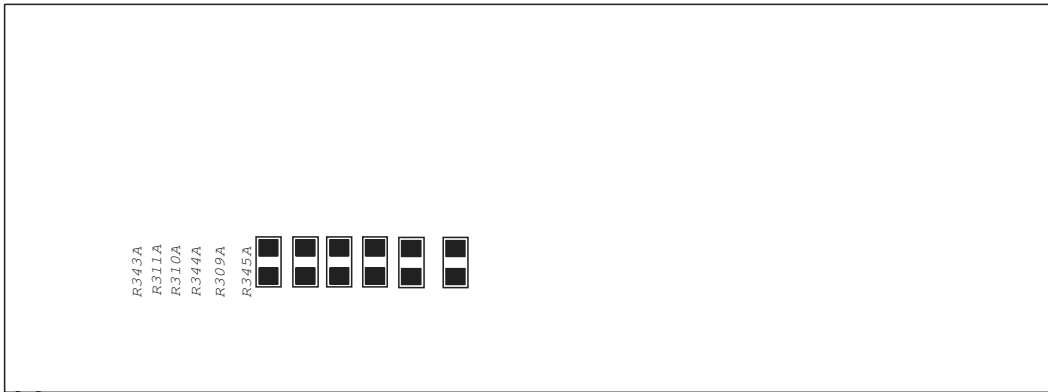
SPEAKON OUTPUT PCB



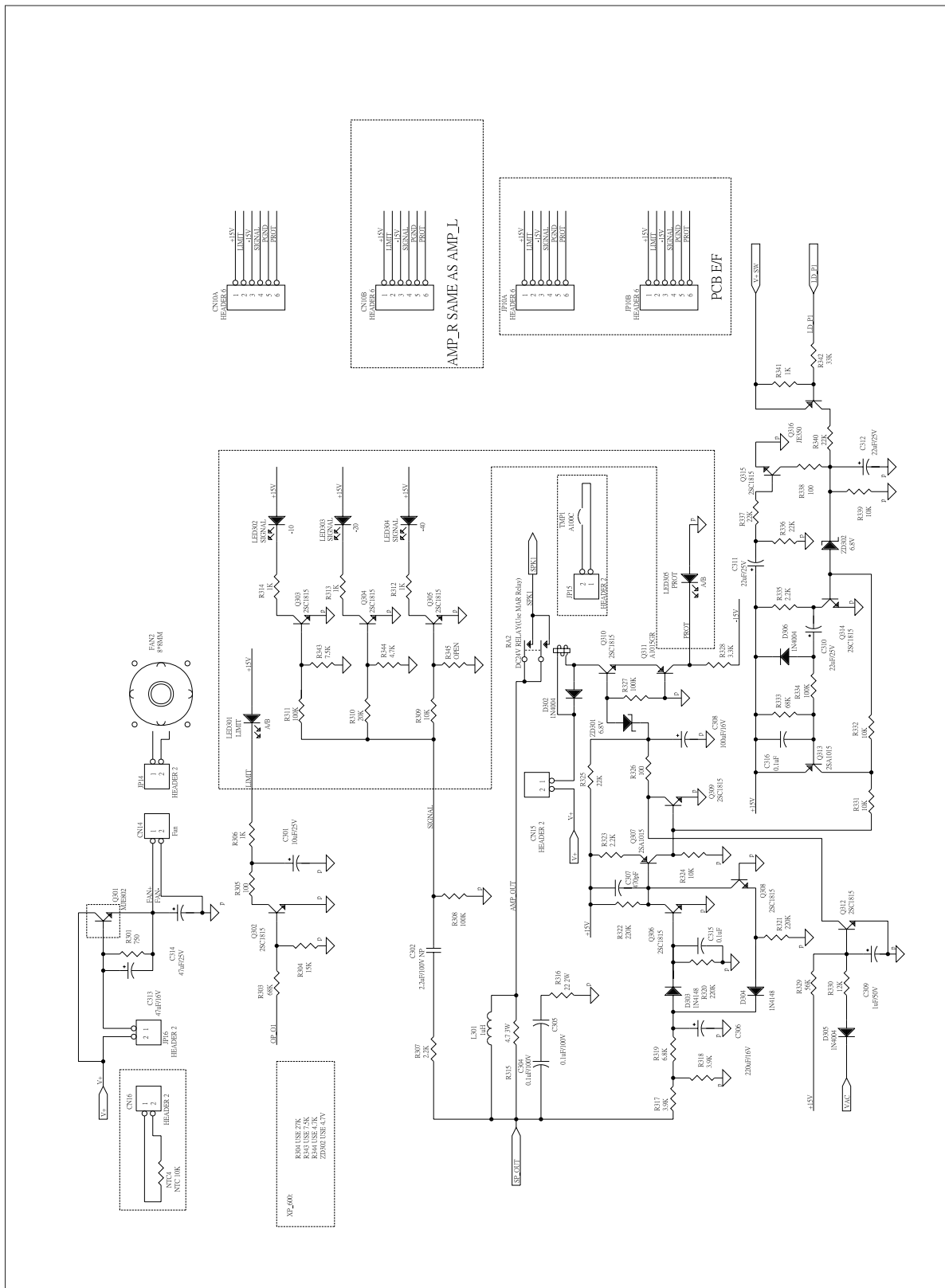
LEVEL & STATUS DISPLAY PCB (FRONT)



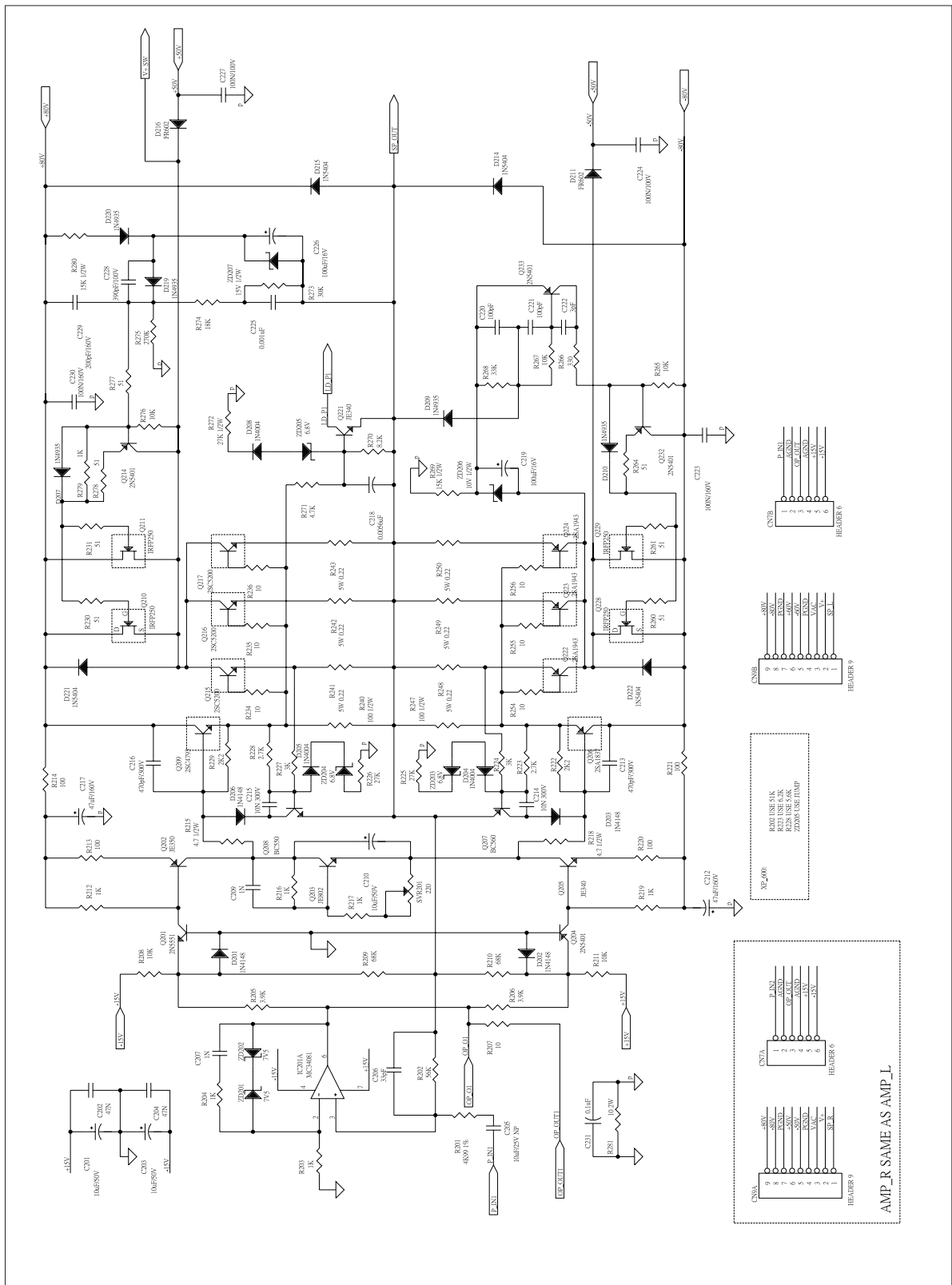
LEVEL & STATUS DISPLAY PCB(REAR)



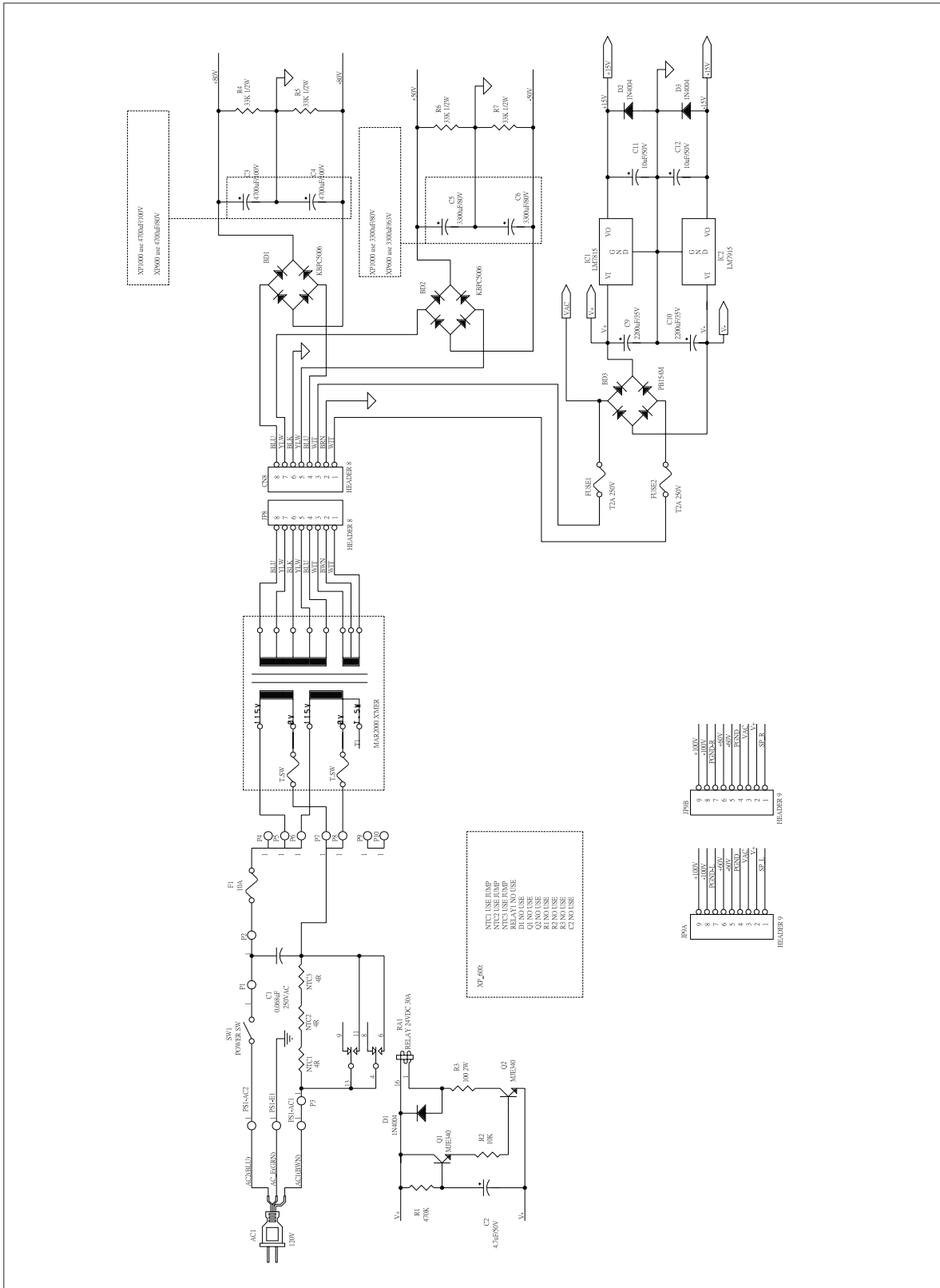
POWER AMPLIFIER SCHEMATIC (2-1)



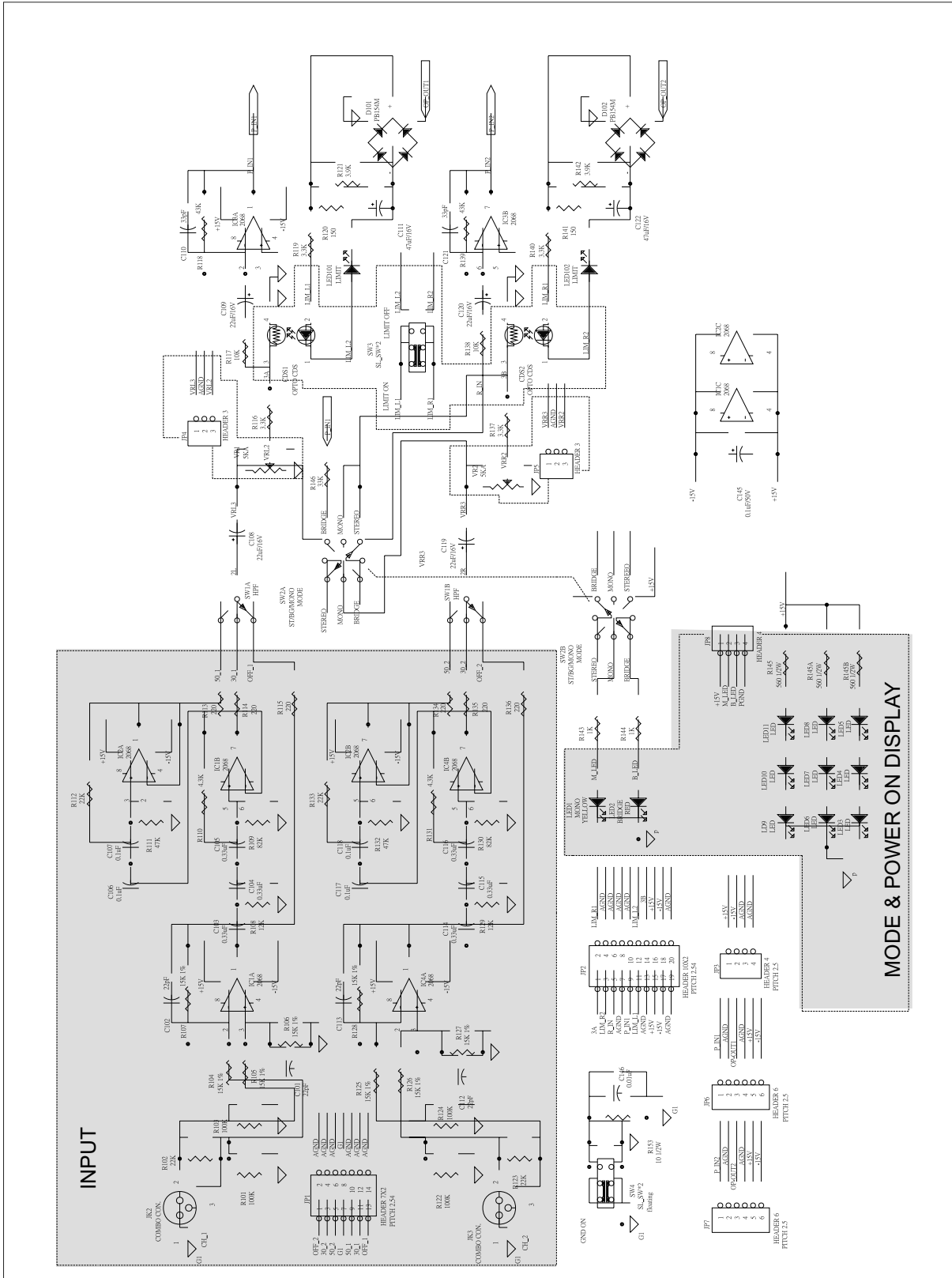
POWER AMPLIFIER SCHEMATIC (2-2)



POWER SUPPLY SCHEMATIC



INPUT & CONTROL DISPLAY SCHEMATICS



POWER AMPLIFIER PCB-PART LIST

Ref.	Phonic Part No.	Description
	210-10090-001-0	TMP/SW US-602SXRFC
	212-10023-440-0	2P WAFER/P 100MM
	526-20551-010-0	HEAT SINK XP600/1000
	552-20063-400-0	TRAN. FIXED XP600/1000 66*26*1.9MM
	552-20064-400-0	FET FIXED XP600/1000 37*20*1.9MM
	290-34610-101-0	PCB XP600/1000 A+B AMP
C201.203.210	030-10656-0A0-0	E/C 10MF M 50V 5*11 T
C202.204	042-47325-050-0	C/C2 0.047MF K 50V 5 T
C205	032-10636-0A0-0	NP E/C 10MF M 25V 6.3*11 T
C206	042-33024-050-0	C/C2 33PF J 50V 5 T
C207.209.225	042-10225-050-0	C/C2 0.001MF K 50V 5 T
C212.217	030-47695-000-0	E/C 47MF K 160V P
C213.216	042-47164-050-0	C/C2 470PF J 350V 5 T
C214.215	042-10345-160-6	C/C2 0.01UF K 100V T
C218	042-56224-050-0	C/C2 0.0056MF J 50V T
C219.226.308	030-10728-0A0-0	E/C 100MF Z 16V 6*11 T
C220.221	042-10124-050-0	C/C2 100PF J 50V T
C222	042-03020-000-0	C/C2 3PF C 50V 5
C223.224.227.230	042-104A8-000-0	C/C2 0.1MF Z 250V 5
C228	042-391A4-050-0	C/C2 390PF J 250V 5 T
C229	042-201A5-000-0	C/C2 200PF K 250V
C231.315.316	042-10426-050-0	C/C2 0.1MF M 50V 5 T
C301	030-10638-0A0-0	E/C 10MF Z 25V 5*11 T
C302	032-22586-0A0-0	NP E/C 2.2MF M 100V 6*11 T
C304.305	046-10414-060-0	M/C 0.1MF J 100V 5 T
C306	030-22728-0A0-0	E/C 220MF Z 16V 8*11 T
C307	042-47124-050-0	C/C2 470PF J 50V 5 T
C309	030-10558-0A0-0	E/C 1MF Z 50V 5*11 T
C310.311.312	030-22638-0A0-0	E/C 22MF Z 25V 5*11 T
C313.314	030-47638-0A0-0	E/C 47MF Z 25V 6.3*11 T
CN14	211-10021-150-0	2P WAFER/S 5267 A2505 WV P=2.5MM 180GEGREE
CN15	211-10021-161-0	2P WAFER/S TJC3-2A P=2.5MM 180GEGREE

POWER AMPLIFIER PCB-PART LIST

Ref.	Phonic Part No.	Description
CN6.10	211-10061-171-0	6P WAFER/S TJC3-6A P=2.5mm
CN9	211-10093-000-0	9P WAFER/S 3.96MM
D201.202.203.206.303.304	090-02000-020-0	DIODE 1N4148 T
D204.205.302.305.306	090-00007-020-0	DIODE IN4004 SILTEK T
D207-210.219.220	090-02004-000-0	DIODE 1N4935 T
D211.216	090-02007-000-0	DIODE FR602
D214.215.221.222	090-00016-000-0	DIODE 1N5404
FIX IC1.2	313-00000-000-0	TRANSISTOR WASHER TO-220
HEAT SINK&TRANSISTOR	610-00300-501-0	PLA. WAS. D3.0*D7.0*0.5 NI
IC201	160-00021-900-0	IC NJM5534D JRC
L301	075-10082-100-0	INDUCTANCE 1UH K M
NTC4	011-10020-001-0	THERMISTER NSA05C3 10-301
Q201	120-00001-400-0	TRAN. 2N5551 MOTOROLA
Q202.316	121-00006-100-0	TRAN MJE350 MOTOROLA
Q203.301	120-00008-800-0	TRAN MJE802 MOTOROLA
Q204.214.232.233	121-00000-300-0	TRAN. 2N5401 MOTOROLA
Q205.221	120-00005-000-0	TRAN MJE340 MOTOROLA
Q206	121-00007-200-0	TRAN 2SA1837-M TOSHIBA
Q207	121-00007-500-0	TRAN. BC556B PHILIPS (BC560)
Q208	120-00009-700-0	TRAN. BC546B PHILIPS (BC550)
Q209	120-00009-500-0	TRAN 2SC4793-M TOSHIBA
Q210.228	122-00002-500-0	MOSFET IRFP250
Q210.228	313-00010-000-0	WASHER TO-3P
Q215.216.217	120-00008-600-0	TRAN 2SC5200-O TOSHIBA(XP1000)
Q215.217	120-00008-600-0	TRAN 2SC5200-O TOSHIBA(XP600)
Q222.224	121-00006-000-0	TRAN 2SA1943-O TOSHIBA
Q302.306.308.309.310.312.314.315	120-00000-800-0	TRAN. 2SC1815 GR TOSHIBA
Q307.311.313	121-00000-200-0	TRAN. 2SA1015 GR

POWER AMPLIFIER PCB-PART LIST

Ref.	Phonic Part No.	Description
R201	006-49912-420-0	MF RES. 4K99 F 0.25W M
R202	006-51022-420-0	MF RES. 51K F 0.25W T
R203.204.212.216.217.2 19.279.306	006-10012-420-0	MF RES. 1K F 0.25W M
R205.206.317.318	006-39012-420-0	MF RES. 3K9 F 0.25W M
R207.234.236.254.256	006-10072-420-0	MF RES. 10F 0.25W M
R208.211.265.267.276.32 4.331.332.339	006-10022-420-0	MF RES. 10K F 0.25W M
R209.210.303.333	006-68022-420-0	MF RES. 68K F 0.25W M
R213.214.220.221.305.3 26.338	006-10002-420-0	MF RES. 100 F 0.25W M
R215.218	006-47083-420-0	MF RES. 4.7 F 0.5W M
R222.229.307.323.335	006-22012-420-0	MF RES. 2K2 F 0.25W M
R223	006-62012-440-0	MF RES. 6K2 F 0.25W T (XP600)
R223.228	006-27012-400-0	MF RES. 2K7 J 0.25W T
R224.227	006-30012-440-0	MF RES. 3K F 0.25W T
R225.226	006-20022-420-0	MF RES. 20K F 0.25W M
R228	006-56012-400-0	MFRES. 5K6 F 0.25W T(XP600)
R230.264.260.277.278	006-51072-420-0	MF RES. 51F 0.25W M
R240.247	006-10003-420-0	MF RES. 100F 0.5W M
R241.243.248.250	003-22093-602-0	CEMENT RES. 0.22 J 5W
R266	006-33002-420-0	MF RES. 330 F 0.25W M
R268.342	006-33022-420-0	MF RES. 33K F 0.25W M
R269.280	006-15023-420-0	MF RES. 15K F 0.5W M
R270	006-82012-440-0	MF RES. 8K2 F 0.25W T
R271	006-47012-420-0	MF RES. 4K7 F 0.25W M
R272	006-27023-420-0	MF RES.27K F 0.5W M
R273	006-30022-420-0	MF RES. 30K F 0.25W M
R274	006-18022-420-0	MF RES. 18K F 0.25W M
R275	006-27032-420-0	MF RES. 270K F 0.25W M
R281	003-10071-602-0	CEMENT RES. 10 J 2W P
R301	006-75002-420-0	MF RES. 750 F 0.25W M
R304	006-27022-420-0	MF RES. 27K F 0.25W M
R308.327.334	006-10032-420-0	MF RES. 100K F 0.25W M
R316	003-22071-601-0	CEMENT RES. 22 J 2W
R319	006-68012-420-0	MF RES. 6K8 F 0.25W M

POWER AMPLIFIER PCB-PART LIST

Ref.	Phonic Part No.	Description
R320.321.322	006-22032-420-0	MF RES. 220K F 0.25W M
R325.336.337.340	006-22022-420-0	MF RES. 22K F 0.25W M
R328	006-33012-410-0	MF RES. 3K3 F 0.25W P
R329	006-56022-420-0	MF RES. 56K F 0.25W M
R330	006-12022-420-0	MF RES. 12K F 0.25W M
R341	006-15012-420-0	MF RES. 1K5 F 0.25W M
RA2	076-02421-000-0	RELAY JC2AF-DC24V MATSUSHITA
SVR201	020-47171-000-6	T/VR 470 0.5W 3U 10-1-25
THERMAL SW*2	590-43008-100-0	M/E PAN SCR. M3.0*8 NI
THERMAL SW*5	590-43012-100-0	M/E PAN SCR. M3.0*12 NI
TRANSISTOR*6	590-43014-100-0	M/E PAN SCR M3.0*14 NI
TRERMAL RES.*1	610-60300-501-0	PAN SPR. WAS D3.0*D7*0.5 NI
ZD201.202	090-01752-010-0	ZEN/DIODE 7V5 K 0.5W FAIRCH
ZD203.204.205.301.302	090-01682-000-0	ZEN/DIODE 6.8V J0.5W UNIZO(XP1000)
ZD203.204.301	090-01682-000-0	ZEN/DIODE 6.8V J0.5W UNIZO(XP600)
ZD205	382-20010-010-0	TINNER WIRE 10MM D0.6 (XP600)
ZD206	090-01103-010-0	Z/DIODE 10V K 0.5W FAIRC
ZD207	090-01153-010-0	Z/DIODE 15V K 0.5W UNIZON
ZD302	090-01472-000-0	Z/DIODE 4.7V J 0.5W FAIRC

POWER SUPPLY PCB-PART LIST

Ref.	Phonic Part No.	Description
	281-00000-010-0	FUSE CLIP FH-1208 (XP1000)
	313-00000-060-0	RUBBER WASHER TO-2203
	314-00000-050-0	BUSHES 602S(V.0) 180GEGREE
	526-20040-010-0	HEAT.SINK POD1860 20*18
	590-53010-100-0	M/E SET SCR. M3.0*10 NI
	600-00302-010-0	HEX. NUT M3.0*2.0 NI
	610-60300-700-0	PAN SPR WAS. D3.0*6.0*0.7ZN
	290-34610-202-0	PCB XP600/1000 C+G PWR+LED
	615-20104-620-0	LED HOLDER 3LED-3
	290-34610-301-0	XP600/1000 D+E+F PCB
A1	212-10010-690-0	1P WAFER/P 80MM BWN
A2	212-10010-680-0	1P WAFER/P 80MM UL1015#14 BLK
A3	212-10010-720-0	1P WAFER/P 80MM UL1015#14 RED
A4	212-10010-730-0	1P WAFER/P 80MM UL1015#14 ORANGE
BD1.2	090-10016-000-0	B/DIODE KBPC5006
BD3	090-10000-000-0	B/DIODE PB154
C1	058-68325-100-0	MEX-683K 0.068MF/250V 18*13.5 P=15
C101.102.112.113	039-22024-220-0	CHIP C/C 22PF J 50V 0603
C103.104.105.114.115.116	039-33435-220-0	CHIP. C/C 0.33MF 10V K 0603
C106.107.117.118	039-10405-220-0	CHIP C/C 0.1UF K 16V 0603
C108.119	030-22628-0A0-0	E/C 22MF Z 16V 5*11 T
C109.120	030-22628-000-0	E/C 22MF Z 16V 5*11 P
C11.12	030-10656-0A0-0	E/C 10MF M 50V 5*11 T
C110.121	039-33024-220-0	CHIP C/C 33PF J 50V 0603
C111.122	030-47628-0A0-0	E/C 47MF Z 16V 5*11 T
C145	030-10484-000-0	E/C 0.1MF J 100V 5

POWER SUPPLY PCB-PART LIST

Ref.	Phonic Part No.	Description
C146	039-10324-220-0	CHIP C/C 0.01MF J 50V 0603
C2	030-47558-0A0-0	E/C 4.7MF Z 50V 5*11 T (XP1000)
C4.5	030-47878-000-0	E/C 4700MF Z 80V 31*35 P (XP600)
C4.5	030-47888-030-0	E/C 4700MF Z 100V 35*52 P (XP1000)
C7.8	030-33866-030-0	E/C 3300UF M 63V 25*30 P (XP600)
C7.8	030-33876-000-0	E/C 3300MF M 80V 30*31 P (XP1000)
C9.10	030-22848-002-0	E/C 2200MF Z 35V 16*27 P
CDS1.2	010-00001-010-0	CDS P873-G35-552 HAMAMATSU
CN1	211-09142-000-0	14P B.E./S 180GEGREE
CN2	211-09202-000-0	20P B.E./S 180GEGREE
CN4.5	211-10031-170-0	3P WAFER/S 2532-03 (PITCH:2.5MM)
CN8	211-10041-140-0	4P WAFER/S 2532-04
D101.102	090-10000-000-0	B/DIODE PB154
D2.3	090-00007-020-0	DIODE IN4004 SILTEK T
FUSE1*2.FUSE2*2	281-00000-020-0	FUSE CLIP FH-1206 (XP1000)
IC1	160-00005-909-0	IC 7815
IC1-4	160-00021-300-0	IC NJM2068 SMD JRC
IC2	160-00002-909-0	IC 7915
JK2A.3A	211-01602-560-0	6D4/J YLJ-6405-300 (NUT&WASHER)
JK2A.3A	211-03300-160-0	XLR/J SKCA229-1K3F2
JK4.5	211-03400-021-0	SPEAKON/J SVP563S-CH
JP1	212-11214-000-0	IC/P 120MM
JP10A.10B	212-10061-360-0	6P WAFER/P 120MM
JP2	212-11220-000-0	IC/P 120MM XP2000/3000 PH=2.54MM
JP4	212-10032-490-0	3P WAFER/P 440MM
JP5	212-10032-480-0	3P WAFER/P 520MM (PITCH=2.5MM)

POWER SUPPLY PCB-PART LIST

Ref.	Phonic Part No.	Description
JP6	212-10061-370-0	6P WAFER/P 150MM
JP7	212-10061-380-0	6P WAFER/P 300MM
JP8	212-10041-220-0	4P WAFER/P 500MM
JP9A	212-10090-440-0	9P WAFER/P 250MM UL1015#16 PITCH=3.96MM
JP9B	212-10090-460-0	9P WAFER/P 140MM
LED1	100-00150-020-0	LED LG5120 GRN
LED1.2	615-10054-620-0	LED BOSS L=6MM(XP1000)
LED101.102.301A.301B	100-00010-030-0	LED BL-B5141 RED
LED2	100-00110-000-0	LED BL-R5132N RED
LED302A.302B.303A.303 B.304A.304B	100-00050-000-0	LED BL-B2141 GRN
LED305A.305B	100-00040-000-0	LED 204YD YLW
LED3-11	100-00240-020-0	LED 5*5mm YLW
NTC1.2.3	012-400B0-000-0	NTC THERMISTORS N15SP004(XP1000)
NTC1.2.3	382-20010-010-0	TINNER WIRE 10MM D0.6 (XP600)
P2.3.5-10	315-00012-000-0	LUG PIN JP-15
Q303A.303B.304A.304B. 305A.305B	120-00000-800-0	TRAN. 2SC1815 GR TOSHIBA
R1	006-47032-420-0	MF RES. 470K F 0.25W M (XP1000)
R101.103.122.124.311A. 311B	008-01042-600-0	CHIP RES. 100K J 0603
R102.112.123.133	008-02232-600-0	CHIP RES. 22K J 0603
R104-107.125-128	008-01532-600-0	CHIP RES. 15K J 0603
R108.129	008-01232-600-0	CHIP RES. 12K J 0603
R109.130	008-08232-600-0	CHIP RES. 82K J 0603
R110.131	008-04322-600-0	CHIP RES. 4.3K J 0603
R111.132	008-04732-600-0	CHIP RES. 47K J 0603
R113.114.115.134.135.13 6	008-02212-600-0	CHIP RES. 220 J 0603
R116.137	006-33011-400-0	MF RES. 3K3 F 0.125W T
R117.138.309A.309B	008-01032-600-0	CHIP RES. 10K J 0603
R118.139	008-04332-600-0	CHIP RES. 43KJ 0603
R119.140	008-03322-600-0	CHIP RES. 3.3K J 0603

POWER SUPPLY PCB-PART LIST

Ref.	Phonic Part No.	Description
R120.141	008-01512-600-0	CHIP RES. 150 J 0603
R121.142	008-03922-600-0	CHIP RES. 3.9K J 0603
R143.144	006-10012-420-0	MF RES. 1K F 0.25W M
R145.145A.145B	006-56003-420-0	MF RES. 560 F 0.5W M
R146	006-33022-420-0	MF RES. 33K F 0.25W M
R153	006-10073-420-0	MF RES. 10F 0.5W M
R2	006-10022-420-0	MF RES. 10K F 0.25W M (XP1000)
R3	005-10127-100-0	MOF RES. 100OHM 2W P (XP1000)
R310A.310B	008-02032-600-0	CHIP RES. 20K J 0603
R312A.312B.313A.313B. 314A.314B	006-10012-420-0	MF RES. 1K F 0.25W M
R343A.343B	008-07522-600-0	CHIP RES. 7.5K J 0603 (XP1000)
R343A.343B	008-08222-600-0	CHIP RES. 8.2K J 0603 (XP600)
R344A.344B	008-04722-600-0	CHIP RES. 4.7K J 0603 (XP1000)
R344A.344B	008-06822-600-0	CHIP RES. 6K8 J 0603 (XP600)
R4.5.6.7	006-33023-420-0	MF RES.33K F 0.5W M
RA1	076-02411-001-0	RELAY T9AS1D12-24 (02182) (XP1000)
SPK-GND	212-10010-700-0	1P WAFER/P 200MM UL1015#14 BLK
SPK-GND	212-10010-710-0	1P WAFER/P 250MM UL1015#14 BWN
SW1.2.3.4	210-60001-000-0	SLD/SW SLD-43-10
T1	211-10084-020-0	8P WAFER/S 396108 180 P=3.96MM
VR1.2	023-50230-040-0	D.ROT/VR 5KA 20MM P

MISCELLANEOUS ITEMS

Ref.	Phonic Part No.	Description
	211-17000-410-0	BINDING POST BP-47-2P
	212-10010-650-0	1P WAFER/P 100MM UL1015#14 RED
	307-00000-070-0	CORD CONNECTOR C5
	321-00000-020-0	CABEL TIE 140MM
	321-00000-070-0	CABLE TIE HW-100MM
	347-00000-201-0	FAN JF0825S2H-419
	510-20960-102-0	XP600/1000 PANEL
	511-20650-101-0	BACK PANEL SECC T=1.2MM XP600/1000
	516-20430-102-0	TOP COV
	524-20006-012-0	HANDLE XP600/1000
	525-00009-100-0	FEET D26.5*11 BLK
	528-00000-000-0	FAN NET WHT PWA2200 8"
	529-20026-001-0	LENS PMMA 45.6*11.6
	540-20390-120-0	R/KNOB D18*18MM BLK
	552-20048-420-0	ADHESIVE FIXED FW-5D-3M
	552-20054-401-0	X'MER FIXED XP SERIES
	560-21020-300-0	CARTON XP600 614*522*205MM A=B
	561-21260-500-0	G/B XP600 597*505*185MM
	565-20051-020-0	LF POLYLON XP600/1000
	565-20053-020-0	RT POLYLON XP600/1000
	566-10015-010-0	SPONGE 40*10*5
	568-00003-000-0	PE BAG #10 240*340*0.05
	568-20018-000-0	PE BAG 630*630*0.07
	572-00000-050-0	DRYER 5g
	573-10124-010-0	GND LABEL MAR2
	573-20340-001-0	LABEL D25 BLK
	573-20402-030-0	LED LABEL LEVEL METER LABEL XP/XP600/1000
	573-20411-032-0	PVC PANEL LABEL
	573-60240-000-0	BAR CODE LABEL PHONIC SERIES LABEL
	573-60343-000-0	LABEL LEVEL METER LABEL BLUE D=8mm
	573-60351-001-0	POWER OUT LABEL

MISCELLANEOUS ITEMS

Ref.	Phonic Part No.	Description
	574-34640-111-0	OWN. MANU.
	579-00000-068-0	MINI CATALOG PHONIC SERIES
	590-53006-200-0	M/E SET SCR. M3.0*6 BLK
	610-00300-516-0	FIBER WAS. D3*D8*0.5 RED
	610-60300-700-0	PAN SPR WAS. D3.0*6.0*0.7ZN
	619-06380-320-0	PLA RIVET SR-3L BLK
AMP	630-20046-410-0	MYLAR INSU 268*48*0.5MM
BOT COV FIX X'MER	610-00601-000-2	PLA WAS D6*D12*1.0MM BLK
BOT COV&HEAT SINK	610-60401-001-0	PAN SPR. WAS. D4*7.6*1.0 NI
FAN&HEAT SINK	615-20035-600-0	BOSS D8*D6*7MM
FIX BACK	590-03006-200-0	M/E FLT SCR. M3.0*6 BLK
PANEL&PANEL*4		
FIX BOT COV & X'MER FIXED	590-46015-200-0	M/E PANE SCR. M6.0*15 BLK
FIX BOT COV&X'MER FIXED	600-00605-000-0	HEX. NUT M6.0*5.0 ZN
FIX FAN BRACKET	590-53012-200-0	M/E SET SCR. M3.0*12 BLK
FIX FAN BRACKET	600-00302-210-0	HEX. NUT M3.0*2.2 NI
FIX FAN HEAT SINK	590-44040-200-0	M/E PAN SCR. M4.0*40 BLK
FIX FAN NET	610-00408-001-0	PLA. WAS. D4.0*8.0*1.0 NI
FIX M'MER	610-60601-001-0	PAN SPR. WAS. D6*D12*1 NI
FIX NERTRIK*4	590-03010-200-0	M/E FLT SCR. M3.0*10 BLK
FIX VR PCB	590-53004-100-0	M/E SET SCR. M3.0*4 NI
FIXE PANEL&HANDLE	590-04008-100-0	M/E FLT SCR. M4.0*8 NI
FIXED FEET	591-54010-200-0	T/P SET SCR. D4.0*10 BLK
FIXED LED PCB	615-20108-100-0	PCB BOSS M3*13MM
FIXED POWER PCB	615-20107-100-0	PCB BOSS M3*14MM
FIXED PWR PCB&BOT COV.*5 LED PCB*2	590-33008-200-0	M/E RUD SCR. M3.0*8 BLK
FIXED ROT/VR PCB	615-20110-100-0	PCB BOSS M3*5MM
GND	315-00000-000-0	LUG D4 FOR GROUND
GND	600-00403-510-0	HEX. NUT M4.0*3.5 NI
GND	600-00602-010-0	HEX. NUT M6.0*2.0 NI
GND	610-30400-501-0	TOOTH WAS. D4.0*D8.5*0.5 NI

MISCELLANEOUS ITEMS

Ref.	Phonic Part No.	Description
GND	615-10001-130-0	EARTH BOSS 2+5 NI
GND SCREW FIX BOT COV HEAT SINK	590-44010-200-0	M/E PAN SCR M4*10 BLK
GND TERMINAL	615-10002-130-0	EARTH BOSS 10+5 NI (EARTH BOSS)
HEAT SINK	610-00402-018-0	FIBER WAS D4.0*D9.0*2.0 RED
HENDEL&PANEL*6	590-44008-200-0	M/E PAN SCR. M4.0*8 BLK
PANEL&BACK PANEL*6	590-54006-200-0	M/E SET SCR. M4*6 BLK
PHONIC JACK	610-20901-001-0	TOOTH WAS D9*12*1 NI
POWER PCB	610-30300-501-0	TOOTH WAS. D3.0*D6.5*0.5 NI
POWER SW	212-10010-750-6	1P WAFER/P 1617#14 AWG 370MM BLUE
POWER SW	212-10010-760-6	1P WAFER/P 1617#14 AWG 320MM RED
POWER SWE	210-03101-070-0	SSA/SW
SELECTIVE VOLTAGE	618-14180-662-0	SPEC FIXED PIN SR-2 WHT
VR1.2	630-20047-410-0	MYLAR INSU 63*35*0.5MM
XLR/JACK	591-03008-200-0	T/P FLT SCR. D3.0*8 BLK
	S34-61000-000-0	XP600/1000 MATERIAL
	510-20960-102-F	XP600/1000 PANEL
	511-20650-101-F	BACK PANEL
	516-20430-102-F	TOP COV XP2000/3000(B) 600/1000

POWER REQUIREMENT CLASSIFICATION

Ref.	Phonic Part No.	Description
<u>P111600 BS</u>		
FUSE1.2	070-20548-800-0	X'MER 115/230V P111600
	280-20263-000-0	FUSE T2A 250V VDE S
	280-63263-000-0	FUSE 6.3A 250V VDE/CE S
	281-00000-020-0	FUSE CLIP FH-1206 (ONLY XP600)
	370-26640-432-6	P/CORD 250V/15A 2.5M 3P BS
	527-11000-000-0	STR.REL BUSHING 6W3-4 R (6N3-4)
	573-20079-010-0	FUSE LABEL T6.3A 250V(ONLY XP600)
	573-60022-010-0	FUSE LABEL 10A 250V (12*2.5)
<u>P1111000 BS</u>		
	070-20558-800-0	X'MER 115/230V P1111000
	280-1038B-001-0	FUSE 10A 250V UL/CSA/JIS S
	280-20263-000-0	FUSE T2A 250V VDE S
	370-26640-432-6	P/CORD 250V/15A 2.5M 3P BS
	527-11000-000-0	STR.REL BUSHING 6W3-4 R (6N3-4)
	573-60022-010-0	FUSE LABEL 10A 250V (12*2.5)
<u>P111600 IEC</u>		
FUSE1 FUSE2	070-20548-800-0	X'MER 115/230V P111600
	280-20263-000-0	FUSE T2A 250V VDE S
	280-63263-000-0	FUSE 6.3A 250V VDE/CE S
	281-00000-020-0	FUSE CLIP FH-1206
	370-23610-902-0	P/CORD 230V 15A 2.5m3P
	527-11000-000-0	STR.REL BUSHING 6W3-4 R (6N3-4)
	573-20079-010-0	FUSE LABEL T6.3A 250V
<u>P1111000 IEC</u>		
FUSE1.2	070-20558-800-0	X'MER 115/230V P1111000
	280-1038B-001-0	FUSE 10A 250V UL/CSA/JIS S
	280-20263-000-0	FUSE T2A 250V VDE S
	370-23610-902-0	P/CORD 230V 15A 2.5m3P

POWER REQUIREMENT CLASSIFICATION

Ref.	Phonic Part No.	Description
	527-11000-000-0	STR.REL BUSHING 6W3-4 R (6N3-4)
	573-60022-010-0	FUSE LABEL 10A 250V (12*2.5)
<u>P111600 SA</u>		
	070-20548-800-0	X'MER 115/230V P111600
FUSE1.2	280-20263-000-0	FUSE T2A 250V VDE S
	280-63263-000-0	FUSE 6.3A 250V VDE/CE S
	281-00000-020-0	FUSE CLIP FH-1206
	370-15020-829-0	P/CORD 15A/250V 1.0MM*3 6F 3P
	527-11000-000-0	STR.REL BUSHING 6W3-4 R (6N3-4)
	573-20079-010-0	FUSE LABEL T6.3A 250V
<u>P1111000 SA</u>		
	070-20558-800-0	X'MER 115/230V P1111000
	070-20558-800-0	X'MER 115/230V P1111000
	280-1038B-001-0	FUSE 10A 250V UL/CSA/JIS S
FUSE1.2	280-20263-000-0	FUSE T2A 250V VDE S
	370-15020-829-0	P/CORD 15A/250V 1.0MM*3 6F 3P
	527-11000-000-0	STR.REL BUSHING 6W3-4 R (6N3-4)
	573-60022-010-0	FUSE LABEL 10A 250V (12*2.5)
<u>P111600 UL</u>		
	070-20548-800-0	X'MER 115/230V P111600
	280-1038B-001-0	FUSE 10A 250V UL/CSA/JIS S
FUSE1.2	280-2026B-000-0	FUSE 2A 250V UL/CSA/JIS S
	281-00000-010-0	FUSE CLIP FH-1208
	281-00000-020-0	FUSE CLIP FH-1206
	370-08810-702-0	P/CORD 120V/20A 2.5m 2.0MM/3PUL/CSA
	527-14000-000-0	STR.REL BUSHING 6W3-4 S
	573-60022-010-0	FUSE LABEL 10A 250V (12*2.5)

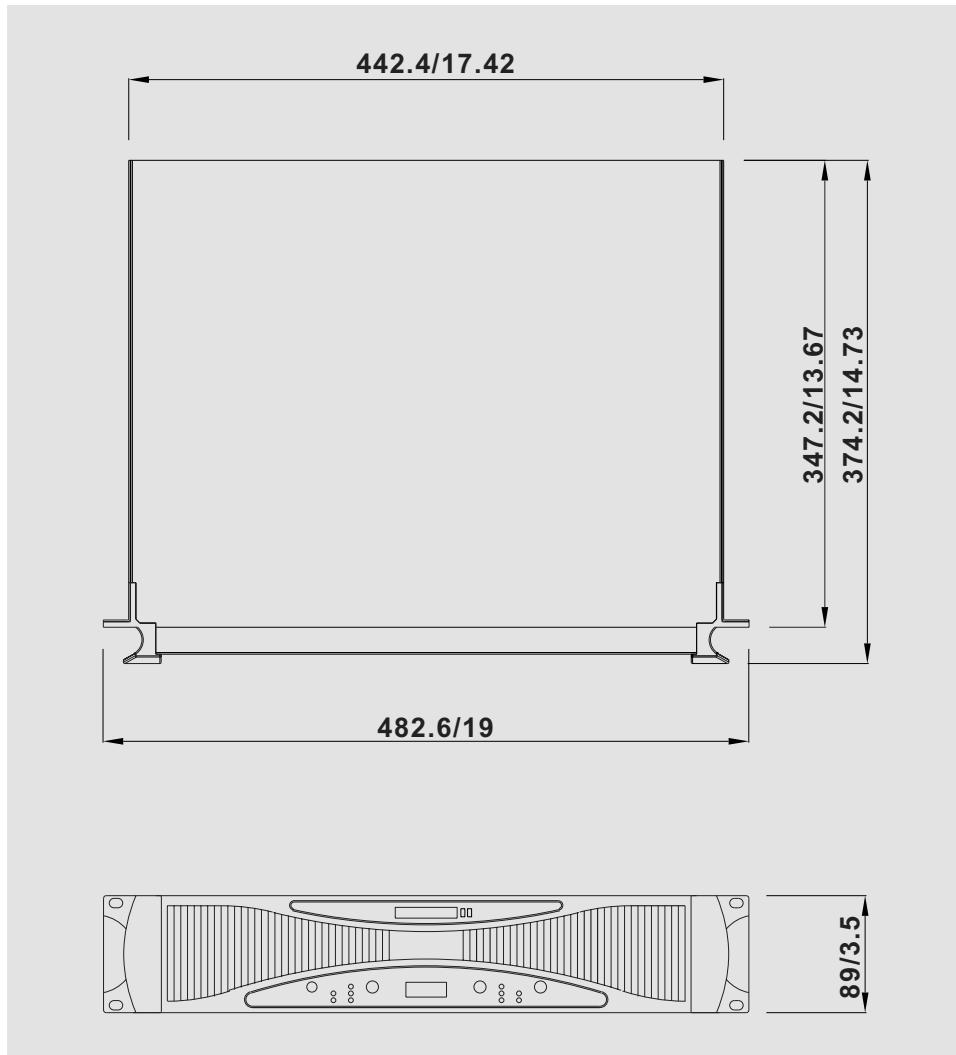
POWER REQUIREMENT CLASSIFICATION

Ref.	Phonic Part No.	Description
<u>P1111000 UL</u>		
	070-20558-800-0	X'MER 115/230V P1111000
	280-1538B-000-0	FUSE 15A 250V UL/CSA/JIS S
FUSE1.2	280-2026B-000-0	FUSE 2A 250V UL/CSA/JIS S
	370-08810-702-0	P/CORD 120V20A 2.5m 2.0MM/3PUL/CSA
	527-14000-000-0	STR.REL BUSHING 6W3-4 S
	573-20334-010-0	FUSE LABEL 15A 250V(12*2.5)
<u>P111600 JIS</u>		
	070-20540-600-0	X'MER 100V JIS P111600
	280-1038B-001-0	FUSE 10A 250V UL/CSA/JIS S
FUSE1.2	280-2026B-000-0	FUSE 2A 250V UL/CSA/JIS S
	281-00000-010-0	FUSE CLIP FH-1208
	281-00000-020-0	FUSE CLIP FH-1206
	370-24610-602-0	P/CORD 100V 12A 2.5m 1MM/2P JIS
	527-11000-000-0	STR.REL BUSHING 6W3-4 R (6N3-4)
	573-60022-010-0	FUSE LABEL 10A 250V (12*2.5)
<u>P1111000 JIS</u>	B34-62013-220-1	
	070-20550-600-0	X'MER 100V JIS P1111000
	280-1538B-000-0	FUSE 15A 250V UL/CSA/JIS S
	280-2026B-000-0	FUSE 2A 250V UL/CSA/JIS S
	370-24810-602-0	P/CORD 125V/15A 2.0MM/2P 2.5M JIS
	527-11000-000-0	STR.REL BUSHING 6W3-4 R (6N3-4)
	573-20334-010-0	FUSE LABEL 15A 250V(12*2.5)
<u>P111600 SAA</u>	B34-61016-510-1	
	070-20548-800-0	X'MER 115/230V P111600
FUSE1.2	280-20263-000-0	FUSE T2A 250V VDE S
	280-63263-000-0	FUSE 6.3A 250V VDE/CE S
	281-00000-020-0	FUSE CLIP FH-1206
	370-12640-631-6	P/CORD 15A/250V 3P 2.5m (1.0)SAA

POWER REQUIREMENT CLASSIFICATION

Ref.	Phonic Part No.	Description
	527-11000-000-0	STR.REL BUSHING 6W3-4 R (6N3-4)
	573-20079-010-0	FUSE LABEL T6.3A 250V
P1111000 SAA	B34-62016-510-1	
	070-20558-800-0	X'MER 115/230V P1111000
	280-1038B-001-0	FUSE 10A 250V UL/CSA/JIS S
FUSE1.2	280-20263-000-0	FUSE T2A 250V VDE S
R281	370-12640-631-6	P/CORD 15A/250V 3P 2.5m (1.0)SAA
R316	527-11000-000-0	STR.REL BUSHING 6W3-4 R (6N3-4)
R241.242.243.248.249.2 50	573-60022-010-0	FUSE LABEL 10A 250V (12*2.5)

DIMENSIONS



Measurement are shown in mm/ inch.

PHONIC
WWW.PHONIC.COM