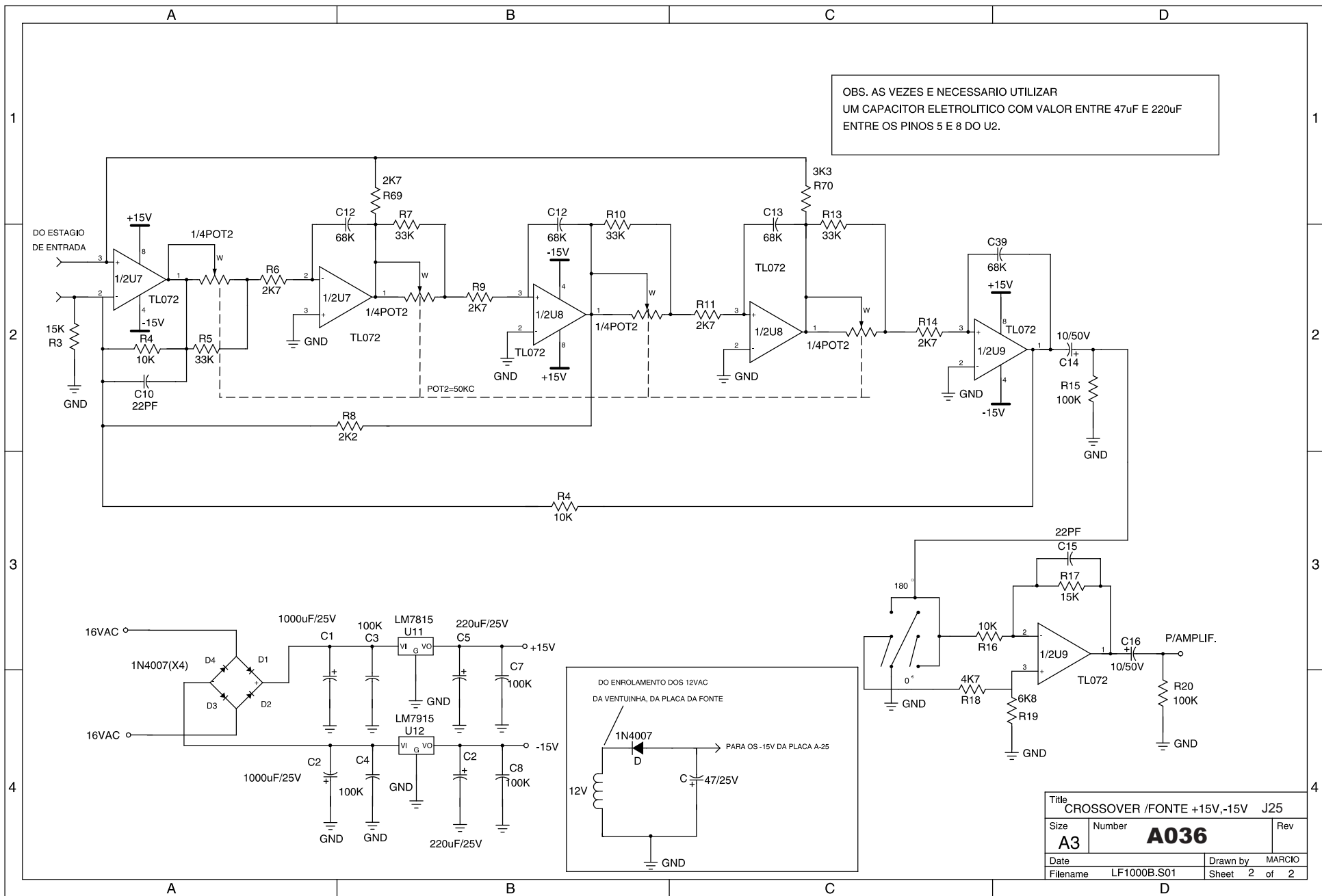
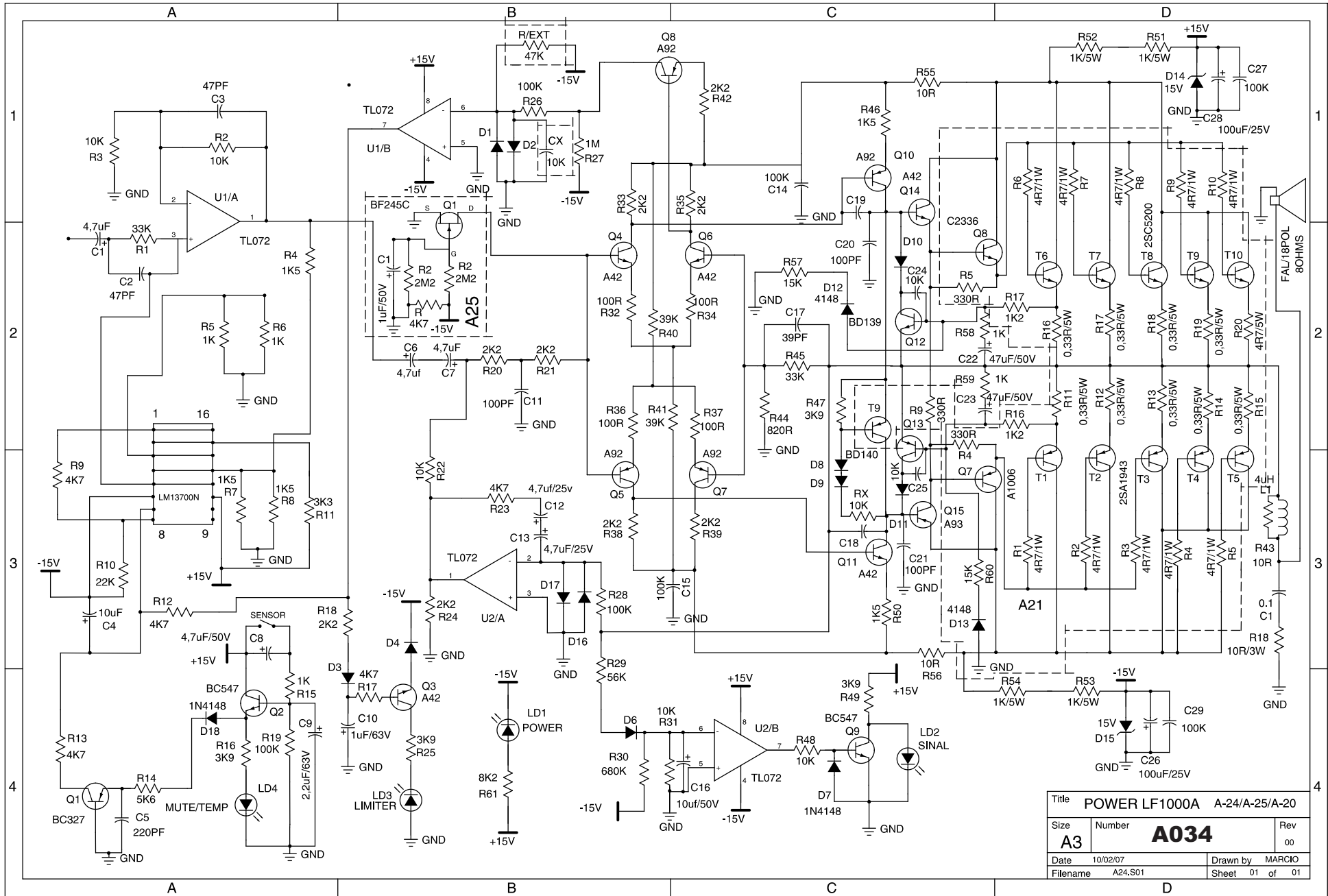


Title			CROSSOVER LF1000 J25
Size	Number	Rev	
A3	A035		
Date	Drawn by	MARCIO	
Filename	LF1000A.S01	Sheet	1 of 2



Title		
CROSSOVER / FONTE +15V,-15V J25		
Size	Number	Rev
A3	A036	
Date	Drawn by MARCIO	
Filename LF1000B.S01	Sheet 2 of 2	



Title POWER LF1000A A-24/A-25/A-20		
Size A3	Number A034	Rev 00
Date 10/02/07	Drawn by MARCIO	
Filename A24.S01	Sheet 01 of 01	