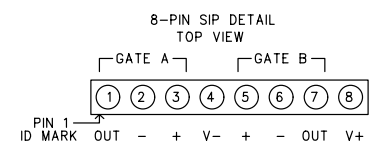
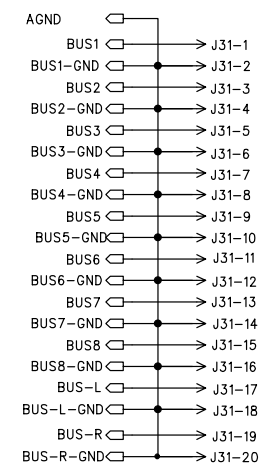
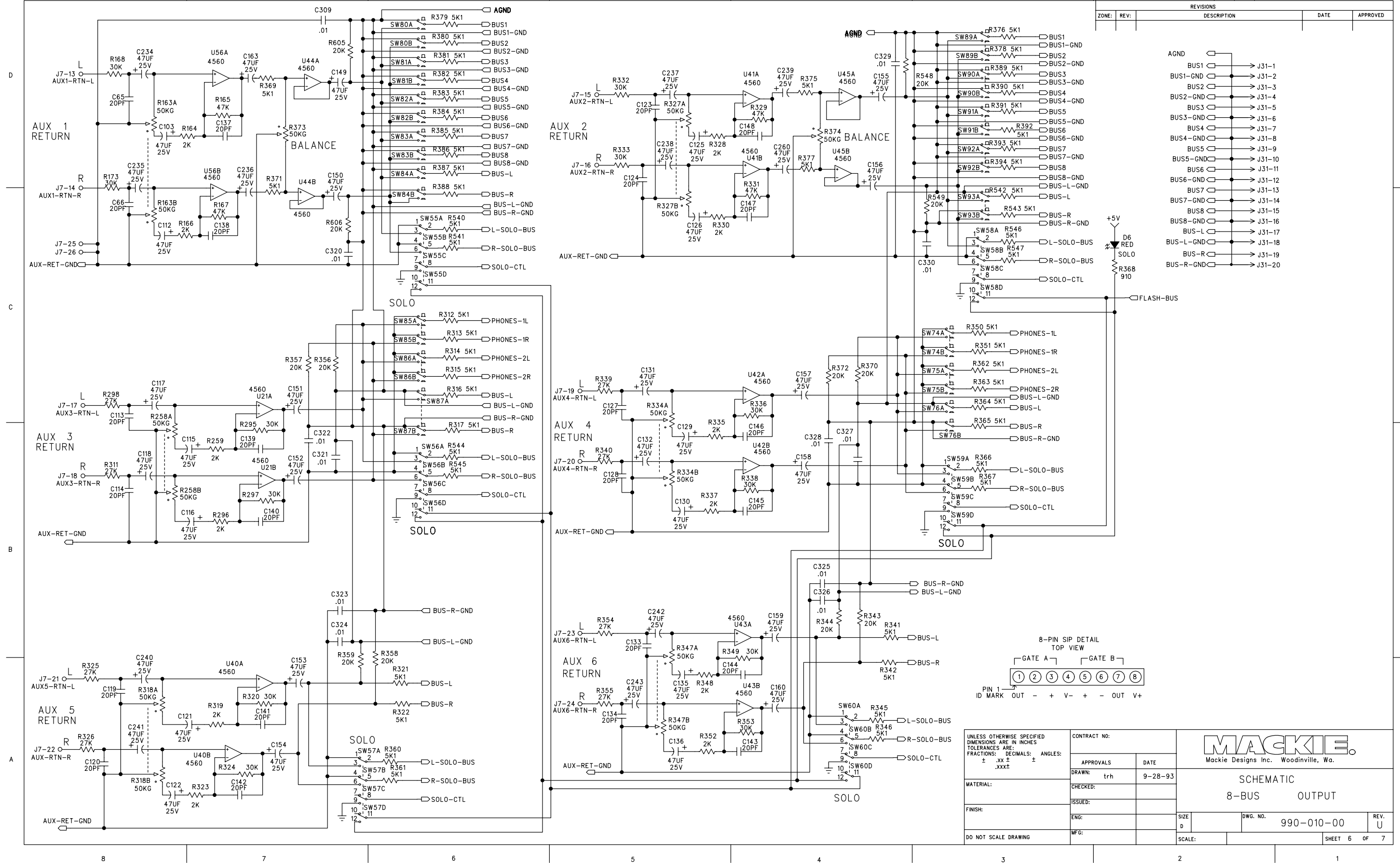
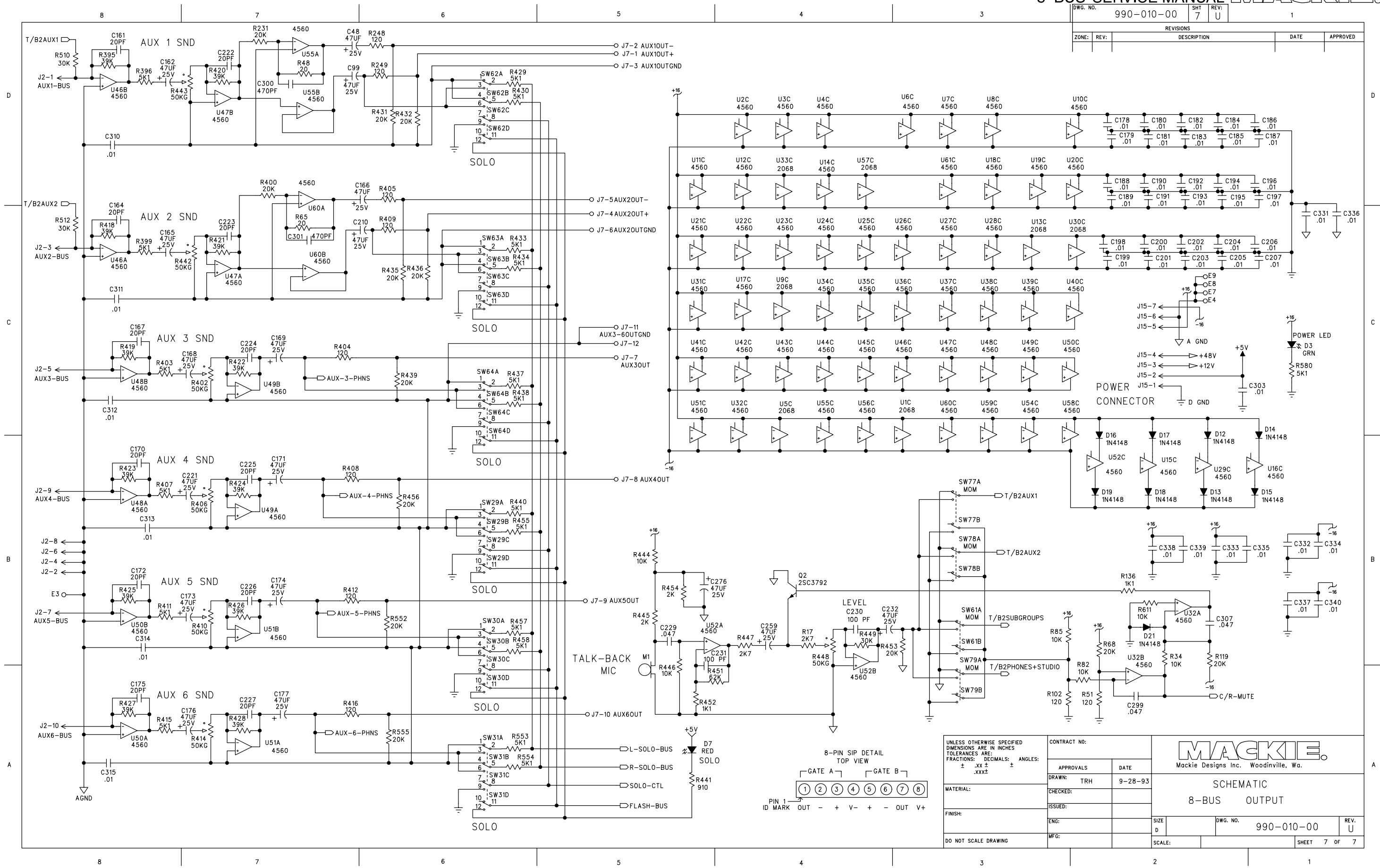


REVISIONS				
ZONE:	REV:	DESCRIPTION	DATE	APPROVED



UNLESS OTHERWISE SPECIFIED DIMENSIONS ARE IN INCHES TOLERANCES ARE: FRACTIONS: DECIMALS: ANGLES: ± .xx ± .xxx ±	CONTRACT NO:		Mackie Designs Inc. Woodinville, Wa.	
	APPROVALS	DATE		
	MATERIAL:	CHECKED: trh	ISSUED:	9-28-93
	FINISH:	ENG:	MFG:	SCALE:

REVISIONS		DATE	APPROVED
ZONE:	REV:	DESCRIPTION	



UNLESS OTHERWISE SPECIFIED DIMENSIONS ARE IN INCHES TOLERANCES ARE: FRACTIONS: DECIMALS: ANGLES: ±.xx ±.xxx±

CONTRACT NO:		APPROVALS		DATE
DRAWN: TRH		9-28-93		
CHECKED:		ISSUED:		
ENG:		MFG:		
DO NOT SCALE DRAWING		SIZE	DWG. NO.	REV.
SCALE:		D	990-010-00	U
		SHEET 7 OF 7		

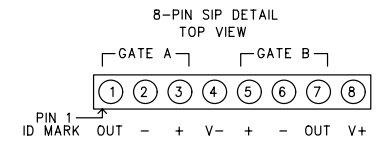
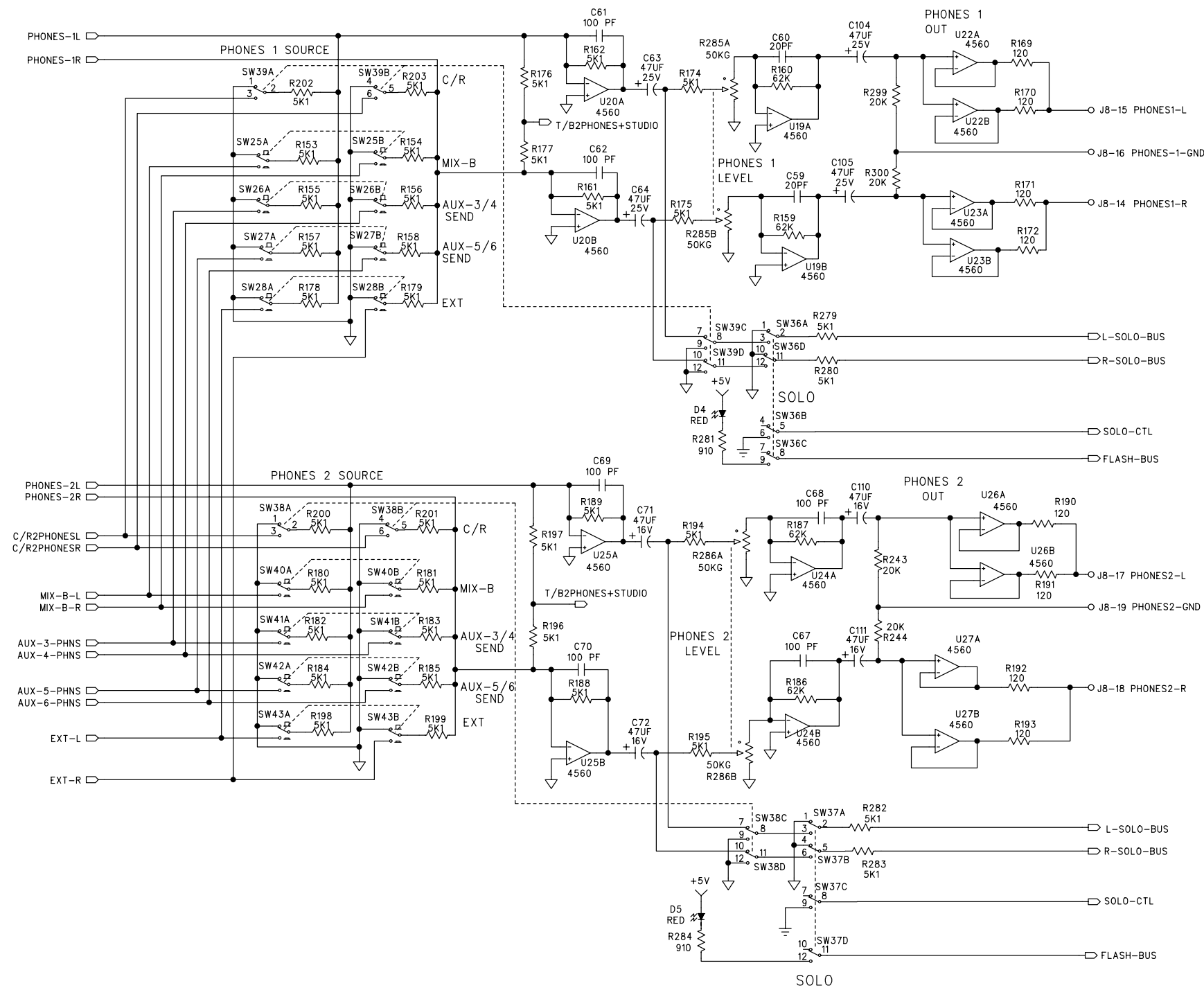


SCHMATIC  
8-BUS OUTPUT

REVISIONS			
ZONE:	REV:	DESCRIPTION	DATE

D  
C  
B  
A

D  
C  
B  
A



UNLESS OTHERWISE SPECIFIED DIMENSIONS ARE IN INCHES TOLERANCES ARE: FRACTIONS: DECIMALS: ANGLES: ± .xx ± ± .xxx ±	CONTRACT NO:		 Mackie Designs Inc. Woodinville, Wa.	
	APPROVALS:	DATE:		
MATERIAL:	DRAWN: trh	9-28-93	SCHEMATIC	
FINISH:	CHECKED:		8-BUS OUTPUT	
DO NOT SCALE DRAWING	ENG:		SIZE D	DWG. NO. 990-010-00
	MFG:		SCALE:	REV. U
				SHEET 4 OF 7