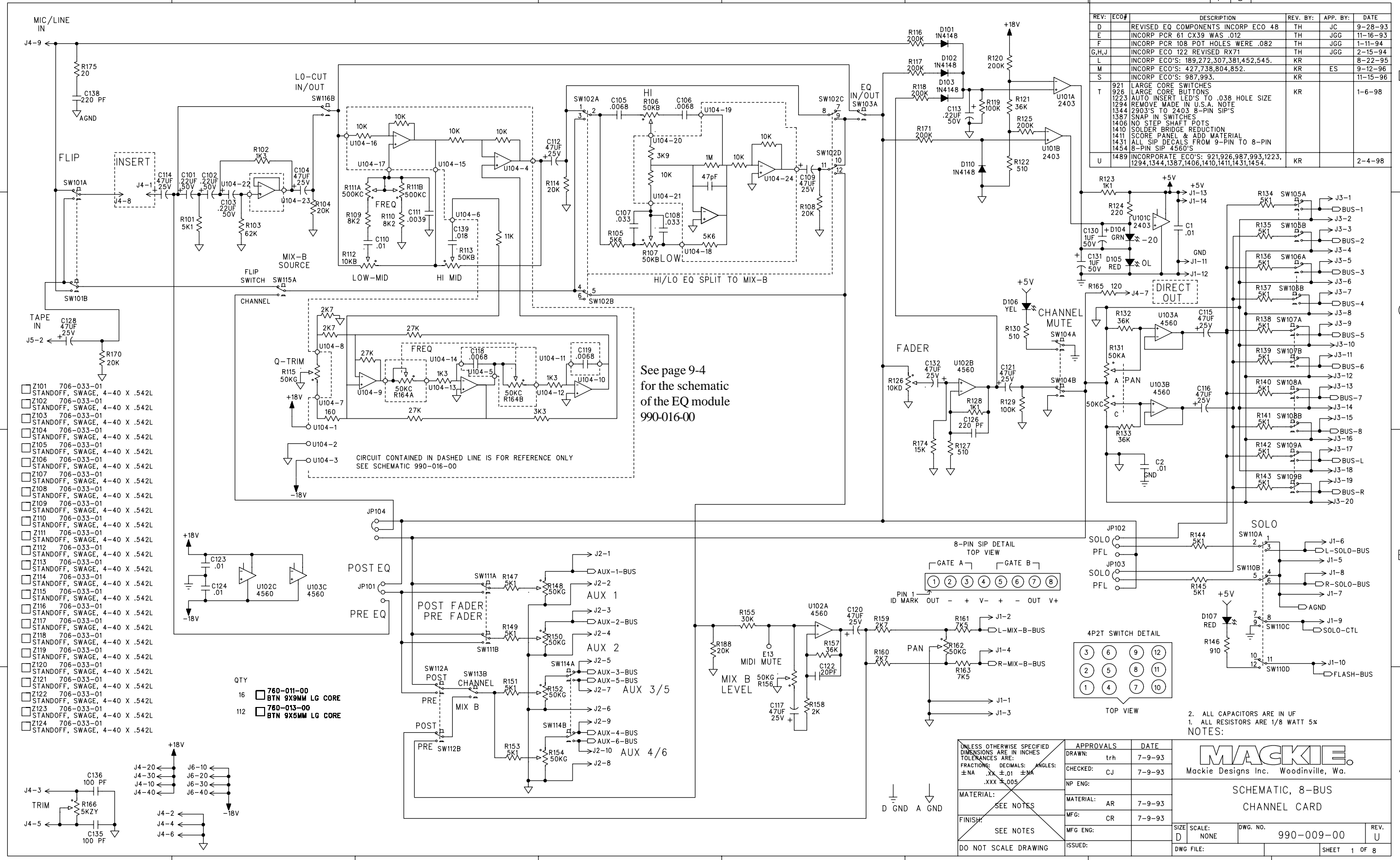


REV.	ECO#	DESCRIPTION	REV. BY:	APP. BY:	DATE
D		REVISED EQ COMPONENTS INCORP ECO 48	TH	JC	9-28-93
E		INCORP PCR 61 CX39 WAS .012	TH	JGG	11-16-93
F		INCORP PCR 108 POT HOLES WERE .082	TH	JGG	1-11-94
G,H,J		INCORP ECO 122 REVISED RX71	TH	JGG	2-15-94
L		INCORP ECO'S: 189,272,307,381,452,545.	KR		8-22-95
M		INCORP ECO'S: 427,738,804,852.	KR	ES	9-12-96
S		INCORP ECO'S: 987,993.	KR		11-15-96
T	921	LARGE CORE SWITCHES			
	926	LARGE CORE BUTTONS			
	1223	AUTO INSERT LED'S TO .038 HOLE SIZE			
	1294	REMOVE MADE IN U.S.A. NOTE			
	1344	2903'S TO 2403 8-PIN SIP'S			
	1387	SNAP IN SWITCHES			
	1406	NO STEP SHAFT POTS			
	1410	SOLDER BRIDGE REDUCTION			
	1411	SCORE PANEL & ADD MATERIAL			
	1431	ALL SIP DECALS FROM 9-PIN TO 8-PIN			
	1454	8-PIN SIP 4560'S			
U	1489	INCORPORATE ECO'S: 921,926,987,993,1223,1294,1344,1387,1406,1410,1411,1431,1454.	KR		2-4-98



See page 9-4 for the schematic of the EQ module 990-016-00

CIRCUIT CONTAINED IN DASHED LINE IS FOR REFERENCE ONLY SEE SCHEMATIC 990-016-00

- Z101 706-033-01 STANDOFF, SWAGE, 4-40 X .542L
 - Z102 706-033-01 STANDOFF, SWAGE, 4-40 X .542L
 - Z103 706-033-01 STANDOFF, SWAGE, 4-40 X .542L
 - Z104 706-033-01 STANDOFF, SWAGE, 4-40 X .542L
 - Z105 706-033-01 STANDOFF, SWAGE, 4-40 X .542L
 - Z106 706-033-01 STANDOFF, SWAGE, 4-40 X .542L
 - Z107 706-033-01 STANDOFF, SWAGE, 4-40 X .542L
 - Z108 706-033-01 STANDOFF, SWAGE, 4-40 X .542L
 - Z109 706-033-01 STANDOFF, SWAGE, 4-40 X .542L
 - Z110 706-033-01 STANDOFF, SWAGE, 4-40 X .542L
 - Z111 706-033-01 STANDOFF, SWAGE, 4-40 X .542L
 - Z112 706-033-01 STANDOFF, SWAGE, 4-40 X .542L
 - Z113 706-033-01 STANDOFF, SWAGE, 4-40 X .542L
 - Z114 706-033-01 STANDOFF, SWAGE, 4-40 X .542L
 - Z115 706-033-01 STANDOFF, SWAGE, 4-40 X .542L
 - Z116 706-033-01 STANDOFF, SWAGE, 4-40 X .542L
 - Z117 706-033-01 STANDOFF, SWAGE, 4-40 X .542L
 - Z118 706-033-01 STANDOFF, SWAGE, 4-40 X .542L
 - Z119 706-033-01 STANDOFF, SWAGE, 4-40 X .542L
 - Z120 706-033-01 STANDOFF, SWAGE, 4-40 X .542L
 - Z121 706-033-01 STANDOFF, SWAGE, 4-40 X .542L
 - Z122 706-033-01 STANDOFF, SWAGE, 4-40 X .542L
 - Z123 706-033-01 STANDOFF, SWAGE, 4-40 X .542L
 - Z124 706-033-01 STANDOFF, SWAGE, 4-40 X .542L
- QTY
- 16 760-011-00 BTN 9X9MM LG CORE
 - 112 760-013-00 BTN 9X5MM LG CORE

UNLESS OTHERWISE SPECIFIED DIMENSIONS ARE IN INCHES TOLERANCES ARE:

FRACTIONS: DECIMALS: ANGLES: ±.NA .XX ±.01 ±.NA .XXX ±.005

MATERIAL: SEE NOTES

FINISH: SEE NOTES

DO NOT SCALE DRAWING

APPROVALS	DATE
trh	7-9-93
CJ	7-9-93
NP ENG:	
MATERIAL: AR	7-9-93
MFG: CR	7-9-93
MFG ENG:	
ISSUED:	

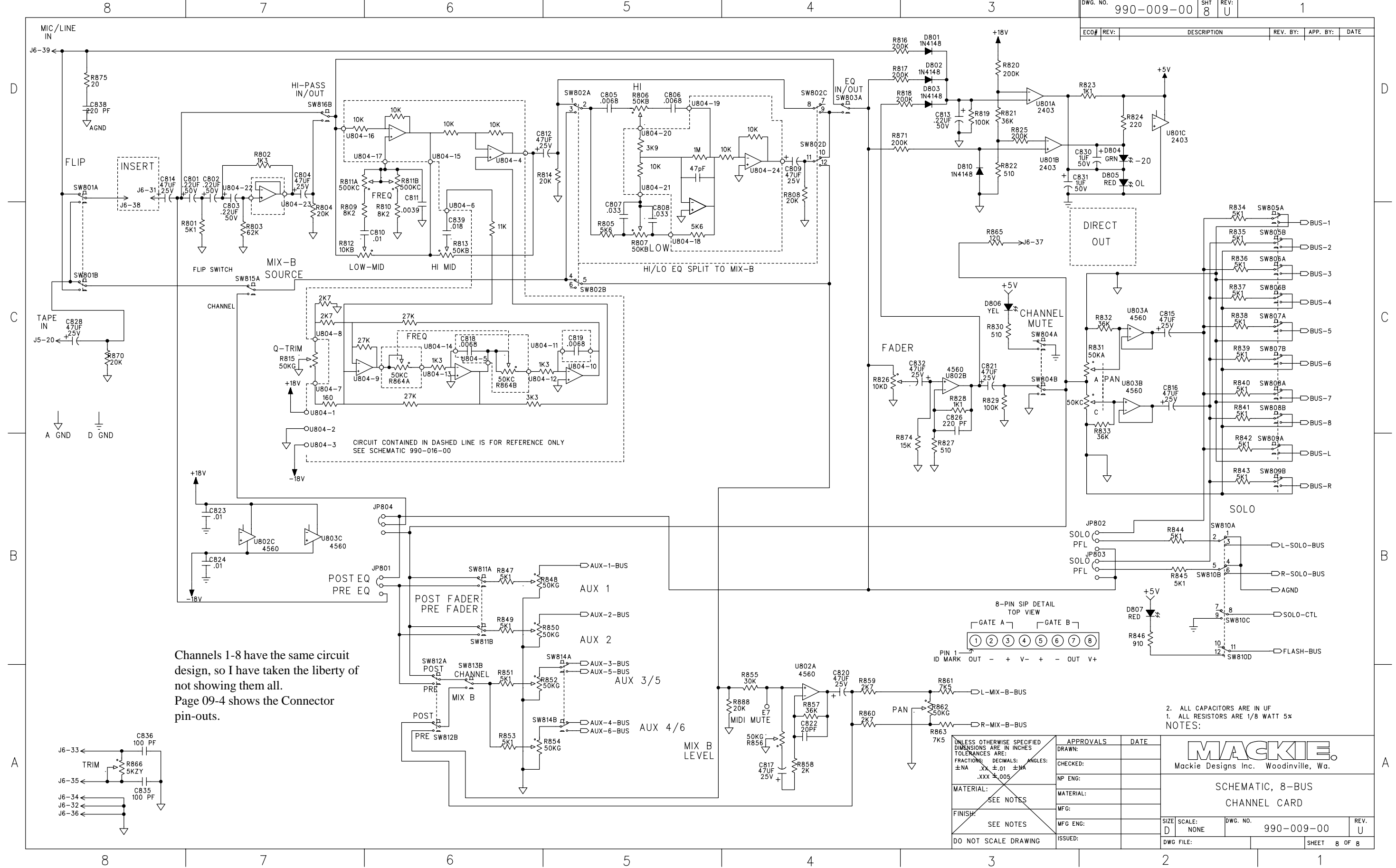
2. ALL CAPACITORS ARE IN UF
1. ALL RESISTORS ARE 1/8 WATT 5x

NOTES:

MACKIE
Mackie Designs Inc. Woodinville, Wa.

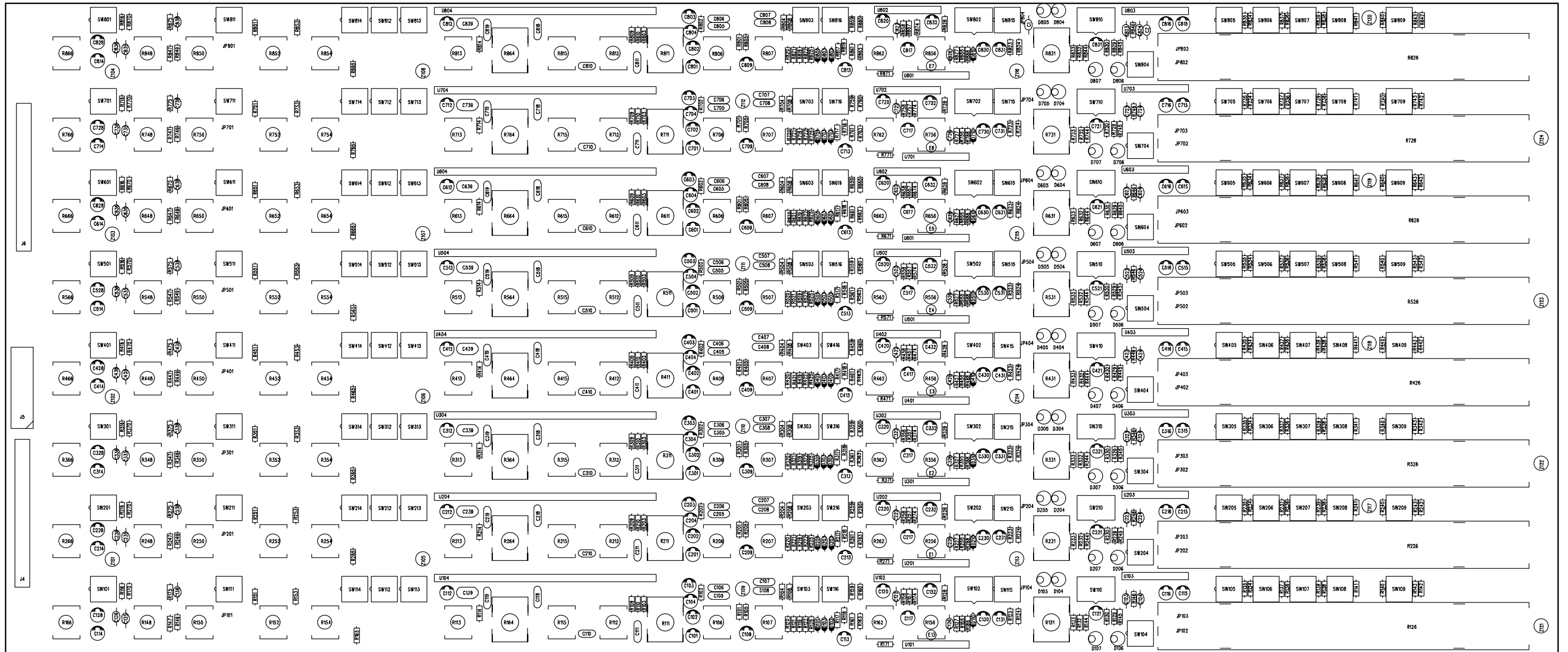
SCHMATIC, 8-BUS CHANNEL CARD

SIZE SCALE: NONE DWG. NO. 990-009-00 REV. U
DWG FILE: SHEET 1 OF 8



UNLESS OTHERWISE SPECIFIED DIMENSIONS ARE IN INCHES TOLERANCES ARE: FRACTIONS: DECIMALS: ANGLES: ±NA .XX ±.01 ±NA .XXX ±.005	APPROVALS	DATE
MATERIAL: SEE NOTES	DRAWN:	
FINISH: SEE NOTES	CHECKED:	
DO NOT SCALE DRAWING	NP ENG:	
	MATERIAL:	
	MFG:	
	MFG ENG:	
	ISSUED:	

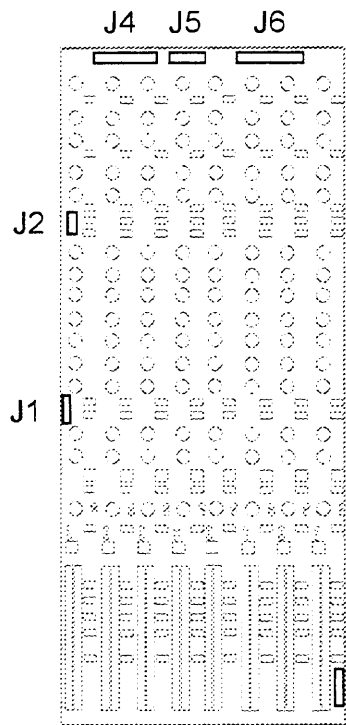
SIZE D	SCALE NONE	DWG. NO. 990-009-00	REV. U
DWG FILE:			SHEET 8 OF 8



J1	
AGND 1	L-MIX-B-BUS 2
AGND 3	R-MIX-B-BUS 4
AGND 5	L-SOLO-BUS 6
AGND 7	R-SOLO-BUS 8
SOLO-CTL 9	FLASH-BUS 10
DGND 11	DGND 12
+5V 13	+5V 14

J2	
AUX-1-BUS 1	AGND 2
AUX-2-BUS 3	AGND 4
AUX-3-BUS 5	AGND 6
AUX-5-BUS 7	AGND 8
AUX-4-BUS 9	AUX-6-BUS 10

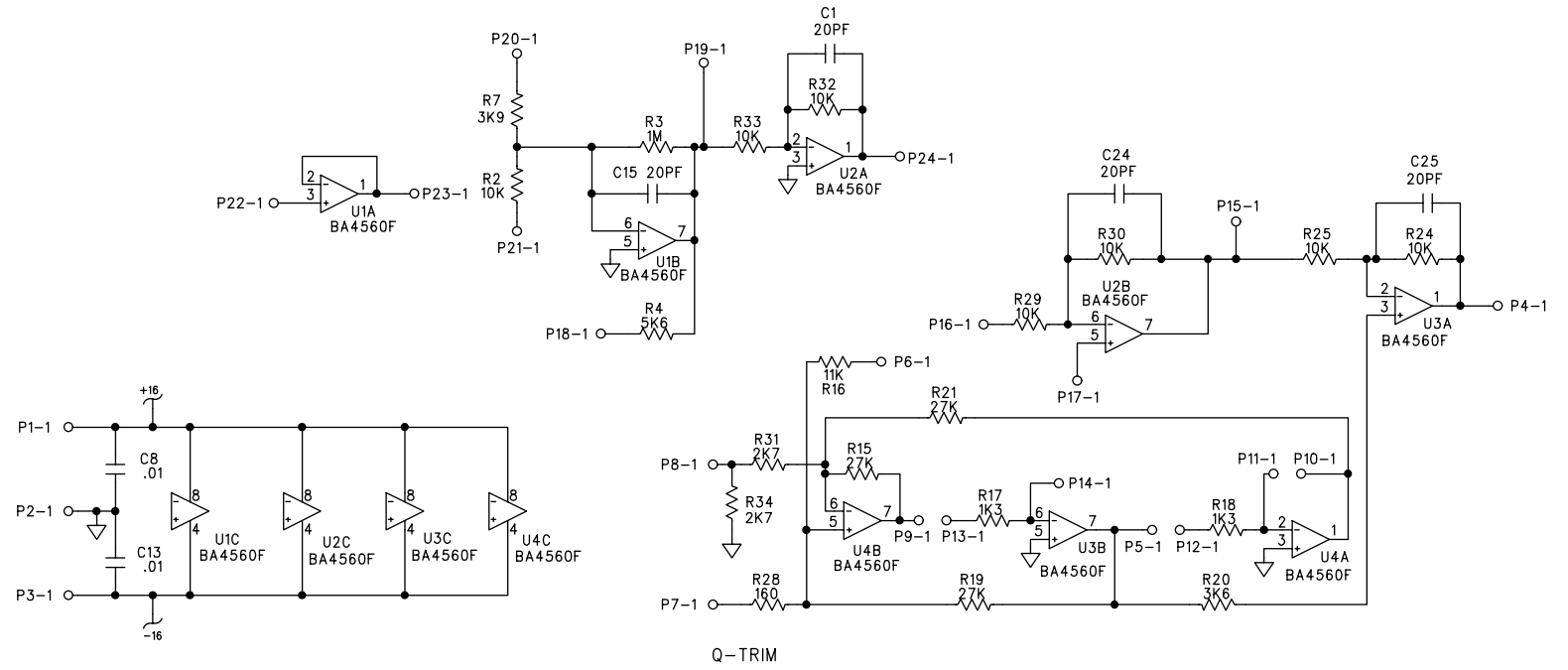
J3	
BUS-1 1	AGND 2
BUS-2 3	AGND 4
BUS-3 5	AGND 6
BUS-4 7	AGND 8
BUS-5 9	AGND 10
BUS-6 11	AGND 12
BUS-7 13	AGND 14
BUS-8 15	AGND 16
BUS-L 17	AGND 18
BUS-R 19	AGND 20



J4	
CHANNEL 1 INS RTN 1	CHANNEL 1 GND 2
CHANNEL 1 TRIM 3	CHANNEL 1 GND 4
CHANNEL 1 TRIM 5	CHANNEL 1 GND 6
CHANNEL 1 DI OUT 7	CHANNEL 1 INS SEND 8
CHANNEL 1 PRE OUT 9	+16V 10
CHANNEL 2 INS RTN 11	CHANNEL 2 GND 12
CHANNEL 2 TRIM 13	CHANNEL 2 GND 14
CHANNEL 2 TRIM 15	CHANNEL 2 GND 16
CHANNEL 2 DI OUT 17	CHANNEL 2 INS SEND 18
CHANNEL 2 PRE OUT 19	+16V 20
CHANNEL 3 INS RTN 21	CHANNEL 3 GND 22
CHANNEL 3 TRIM 23	CHANNEL 3 GND 24
CHANNEL 3 TRIM 25	CHANNEL 3 GND 26
CHANNEL 3 DI OUT 27	CHANNEL 3 INS SEND 28
CHANNEL 3 PRE OUT 29	+16V 30
CHANNEL 4 INS RTN 31	CHANNEL 4 GND 32
CHANNEL 4 TRIM 33	CHANNEL 4 GND 34
CHANNEL 4 TRIM 35	CHANNEL 4 GND 36
CHANNEL 4 DI OUT 37	CHANNEL 4 INS SEND 38
CHANNEL 4 PRE OUT 39	+16V 40

J5	
N/C 1	TAPE RTN 1 2
N/C 3	TAPE RTN 2 4
N/C 5	TAPE RTN 3 6
N/C 7	TAPE RTN 4 8
DGND 9	+5V 10
-16V 11	+16V 12
N/C 13	TAPE RTN 5 14
N/C 15	TAPE RTN 6 16
N/C 17	TAPE RTN 7 18
N/C 19	TAPE RTN 8 20

J6	
CHANNEL 5 INS RTN 1	CHANNEL 5 GND 2
CHANNEL 5 TRIM 3	CHANNEL 5 GND 4
CHANNEL 5 TRIM 5	CHANNEL 5 GND 6
CHANNEL 5 DI OUT 7	CHANNEL 5 INS SEND 8
CHANNEL 5 PRE OUT 9	-16V 10
CHANNEL 6 INS RTN 11	CHANNEL 6 GND 12
CHANNEL 6 TRIM 13	CHANNEL 6 GND 14
CHANNEL 6 TRIM 15	CHANNEL 6 GND 16
CHANNEL 6 DI OUT 17	CHANNEL 6 INS SEND 18
CHANNEL 6 PRE OUT 19	-16V 20
CHANNEL 7 INS RTN 21	CHANNEL 7 GND 22
CHANNEL 7 TRIM 23	CHANNEL 7 GND 24
CHANNEL 7 TRIM 25	CHANNEL 7 GND 26
CHANNEL 7 DI OUT 27	CHANNEL 7 INS SEND 28
CHANNEL 7 PRE OUT 29	-16V 30
CHANNEL 8 INS RTN 31	CHANNEL 8 GND 32
CHANNEL 8 TRIM 33	CHANNEL 8 GND 34
CHANNEL 8 TRIM 35	CHANNEL 8 GND 36
CHANNEL 8 DI OUT 37	CHANNEL 8 INS SEND 38
CHANNEL 8 PRE OUT 39	-16V 40



SCHEMATIC
EQ MODULE
990-016-00