

**TARAMPS ELETRONICA LTDA**

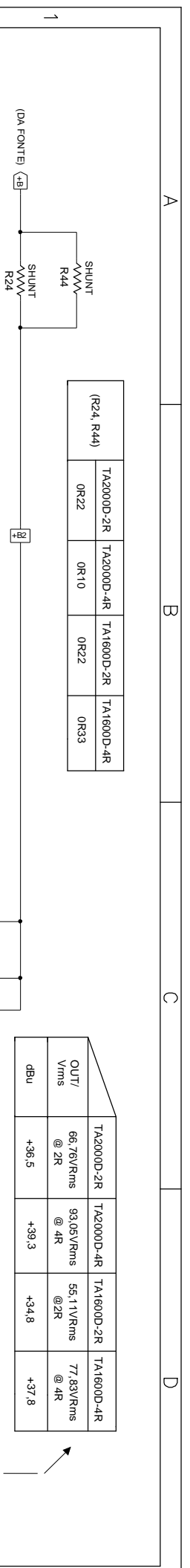
PRODUTO: **AMPL. TA1600D/TA2000D SMD R5** REV

FOLHA: **A3** BLOCO: **PRE**

PROJETO: **GIVALDO** DESENHO: **ADILSON**

DATA: **15/10/2010**

ARQUIVO: **FOLHA 1 DE 5**



(R24, R44)	TA2000D-2R	TA2000D-4R	TA1600D-2R	TA1600D-4R
	0R22	0R10	0R22	0R33

	TA2000D-2R	TA2000D-4R	TA1600D-2R	TA1600D-4R
OUT/ Vrms	66,76Vrms @ 2R	93,05Vrms @ 4R	55,11Vrms @ 2R	77,83Vrms @ 4R
dBu	+36,5	+39,3	+34,8	+37,8

	TA2000D-2R	TA2000D-4R	TA1600D-2R	TA1600D-4R
FET 1	IRFB 4115	IRFB 4227	52N15	52N15
FET 7	IRFB 4115	IRFB 4227	52N15	52N15
FET 13	IRFB 4115	IRFB 4227	52N15	52N15
FET 15	IRFB 4115	IRFB 4227	52N15	52N15

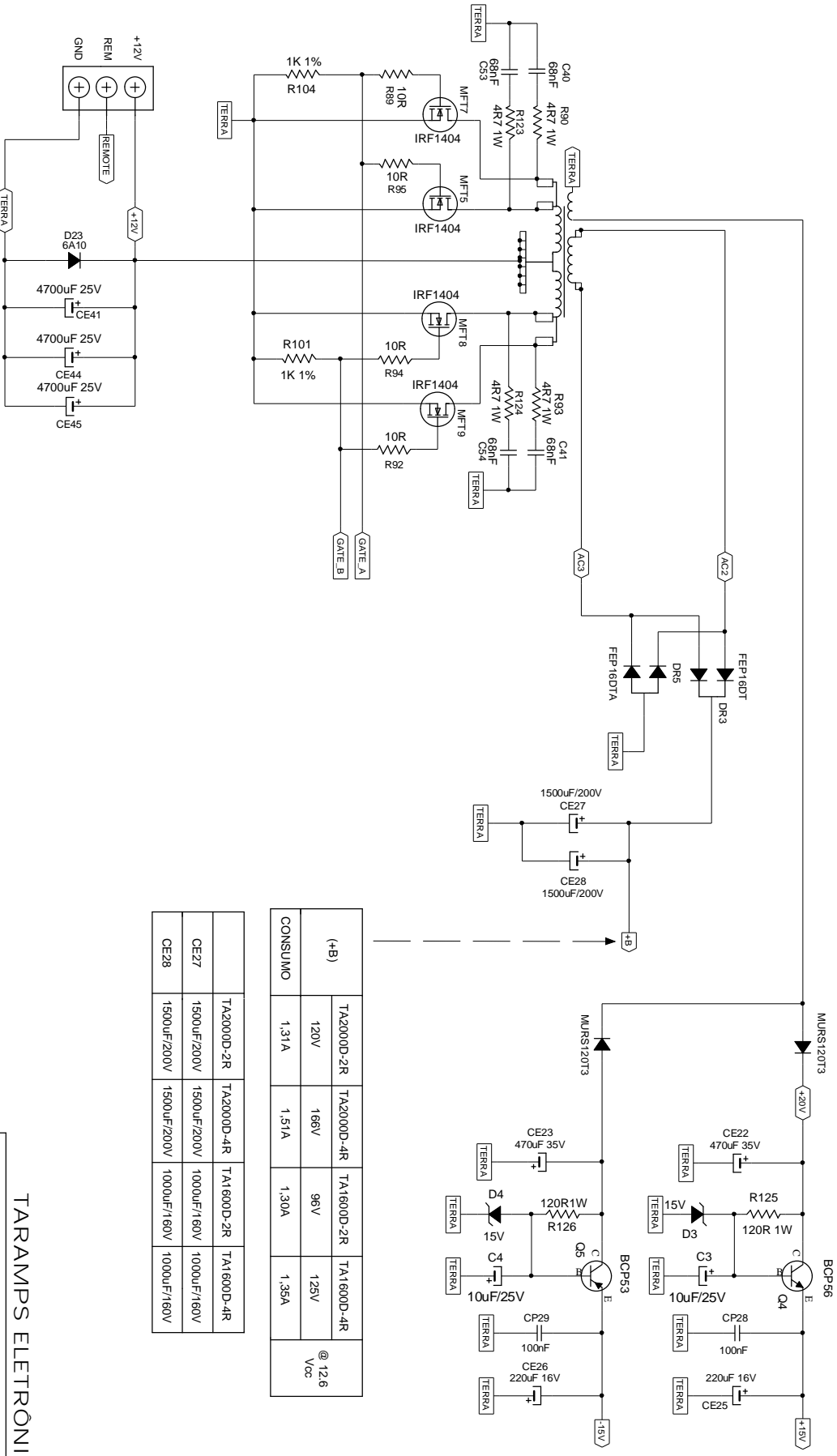
TARAMPS ELETRONICA LTDA

PRODUTO **AMPL. TA1600D/TA2000D SMD R5** REV

FOLHA **BLOCO SAIDA** A3

PROJETO **GIVALDO** DESENHO **ADILSON**

DATA **15/10/2010** ARQUIVO



(+B)	
TA2000D-2R	TA2000D-4R
120V	166V
1,31A	1,51A
CONSUMO	
TA1600D-2R	TA1600D-4R
96V	125V
1,30A	1,35A
@ 12,6 Vcc	

CE27	TA2000D-2R	TA2000D-4R	TA1600D-2R	TA1600D-4R
1500uF/200V	1500uF/200V	1000uF/160V	1000uF/160V	1000uF/160V
CE28	1500uF/200V	1000uF/160V	1000uF/160V	1000uF/160V

OBS: DADOS OBTIDOS EM REPOUSO A12,6Vcc

TARAMPS ELETRONICA LTDA

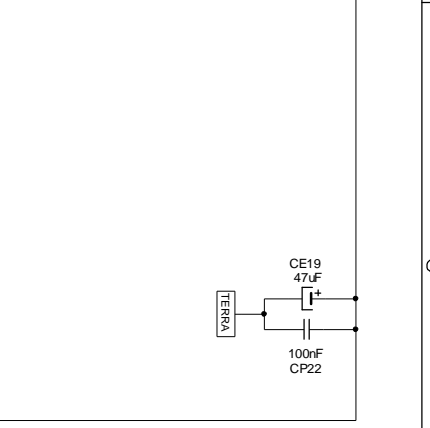
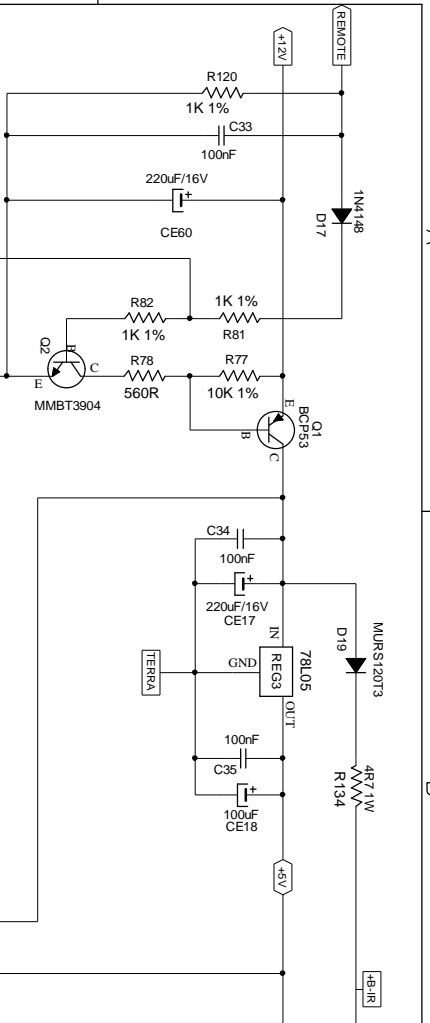
PRODUTO	BLOCO	REV
AMPL. TA1600D/TA2000D SMD R5		

FOLHA	BLOCO	FONTE
A3		

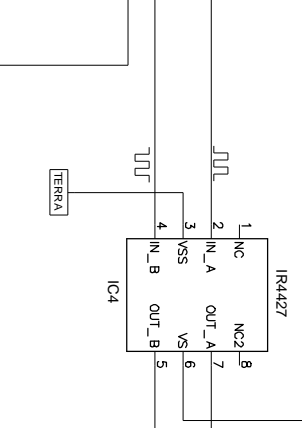
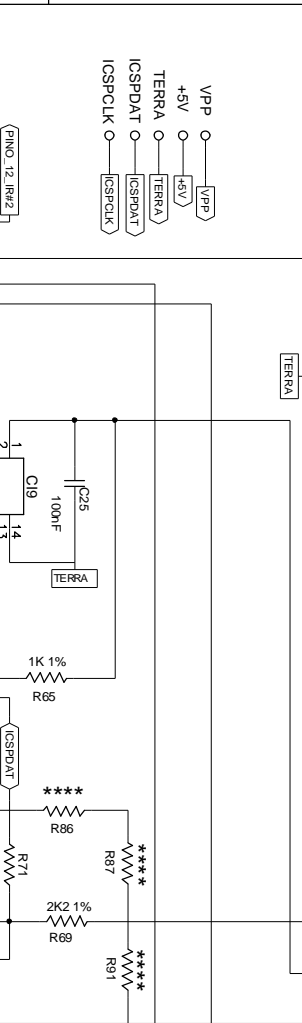
PROJETO	DESENHO
GIVALDO	ADILSON

DATA	FOLHA
15/10/2010	3 DE 5

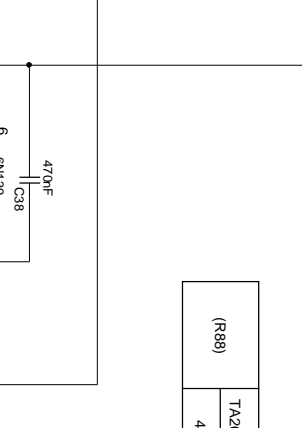
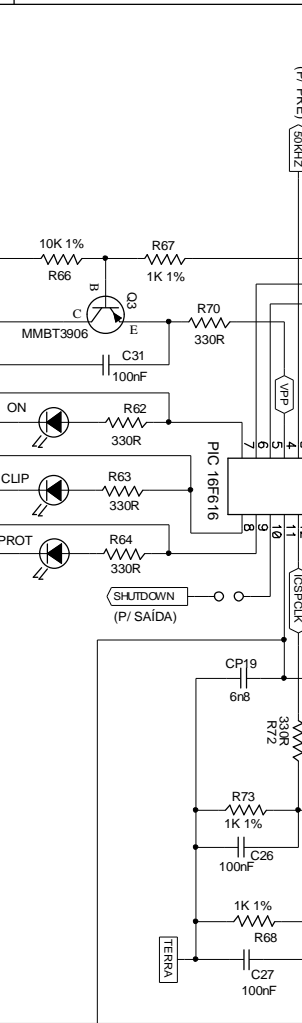
ARQUIVO	FOLHA
	3 DE 5



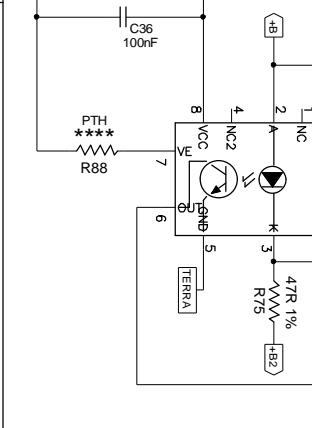
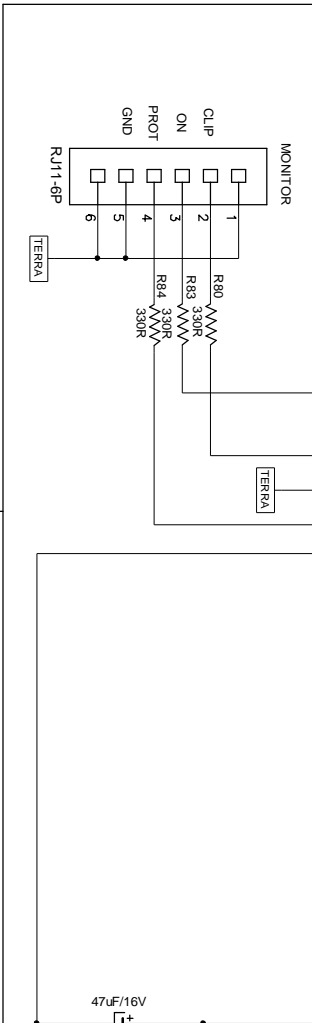
(R86)	TA2000D-2R	TA2000D-4R	TA1600D-2R	TA1600D-4R
(R87)	4K3 1%	3K9	2K2	3K9
(R88)	15K	15K	3K9	12K
(R91)	18K	33K	22K 1%	22K 1%



(R89)	TA2000D-2R	TA2000D-4R	TA1600D-2R	TA1600D-4R
	47R 1%	330R	56R	56R



(R89)	TA2000D-2R	TA2000D-4R	TA1600D-2R	TA1600D-4R
	47R 1%	330R	56R	56R



(R89)	TA2000D-2R	TA2000D-4R	TA1600D-2R	TA1600D-4R
	47R 1%	330R	56R	56R

TARAMPS ELETRONICA LTDA  
 PRODUTO **AMPL. TA1600D/TA2000D SMD R5** REV  
 FOLHA **BLOCO DSP**  
 PROJETO **GIVALDO** DESENHO **ADILSON**  
 DATA **15/10/2010**  
 ARQUIVO **FOLHA 4 DE 5**

(R25)	TA2000D-2R	TA2000D-4R	TA1600D-2R	TA1600D-4R
	10K	12K	10K	10K

(R11)	TA2000D-2R	TA2000D-4R	TA1600D-2R	TA1600D-4R
	1K5	1K5	1K5	1K2

TRIMPOT (TP8)	TA2000D-2R	TA2000D-4R	TA1600D-2R	TA1600D-4R
	1K	1K	470R	470R

	TA2000D-2R	TA2000D-4R	TA1600D-2R	TA1600D-4R
FET 1	IRFB 4115	IRFB 4227	52N15	52N15
FET 7	IRFB 4115	IRFB 4227	52N15	52N15
FET 13	IRFB 4115	IRFB 4227	52N15	52N15
FET 15	IRFB 4115	IRFB 4227	52N15	52N15

(R24, R44)	TA2000D-2R	TA2000D-4R	TA1600D-2R	TA1600D-4R
	0R22	0R10	0R22	0R33

	TA2000D-2R	TA2000D-4R	TA1600D-2R	TA1600D-4R
CE27	1500uF/200V	1500uF/200V	1000uF/160V	1000uF/160V
CE28	1500uF/200V	1500uF/200V	1000uF/160V	1000uF/160V

(R88)	TA2000D-2R	TA2000D-4R	TA1600D-2R	TA1600D-4R
	47R 1%	330R	56R	56R

	TA2000D-2R	TA2000D-4R	TA1600D-2R	TA1600D-4R
(R86)	4K3 1%	3K9	2K2	3K9
(R87)	15K	15K	3K9	12K
(R91)	18K	33K	22K 1%	22K 1%

TARAMPS ELETRÔNICA LTDA

PRODUTO		AMP.L. TA1600D/TA2000D SMD R5		REV
FOLHA	BLOCO	ALTERAÇÕES		
A4				
PROJETO	GIVALDO		DESENHO	ADILSON
DATA	15/10/2010			
ARQUIVO			FOLHA	5 DE 5