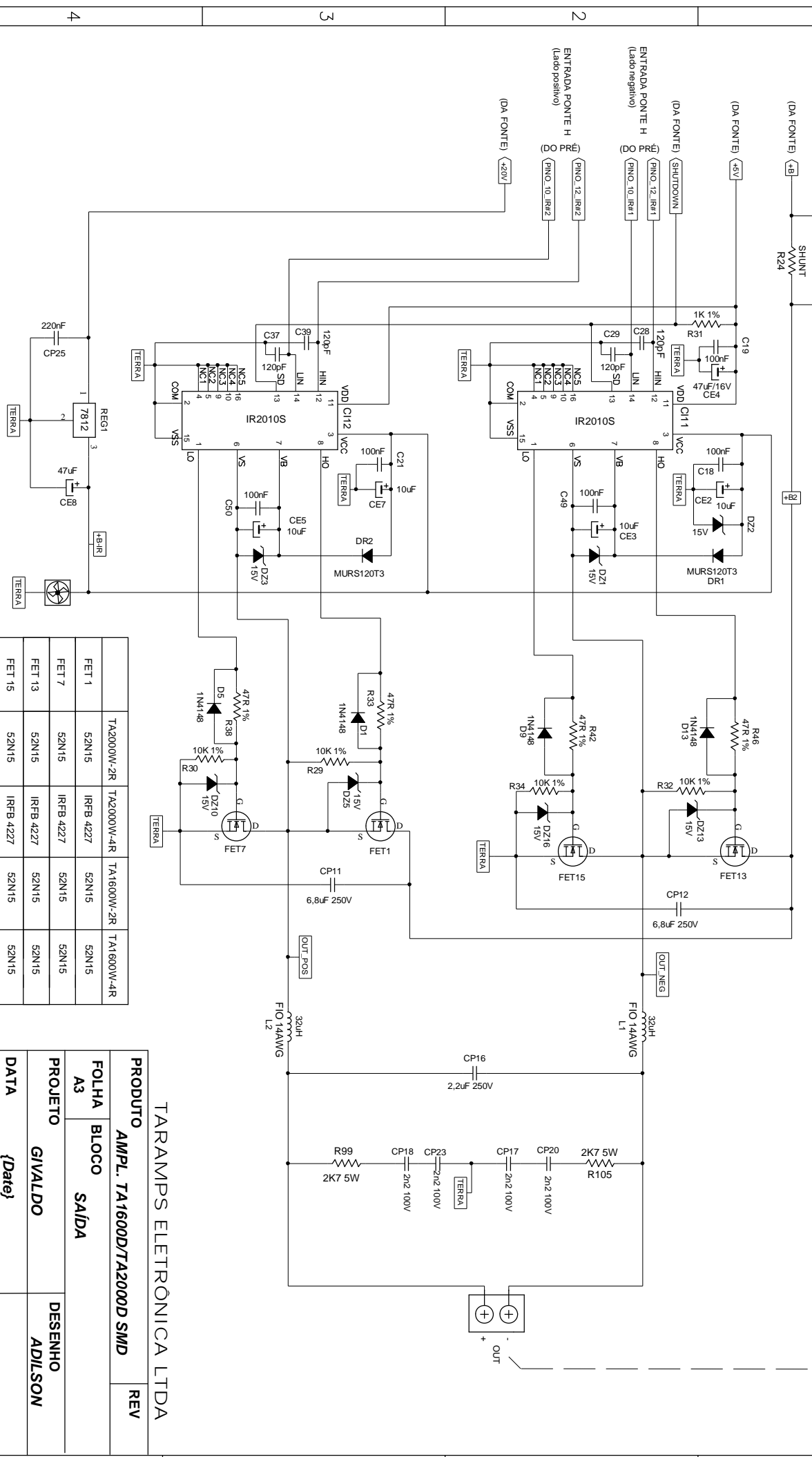


(R24, R44)	TA2000W-2R	TA2000W-4R	TA1600W-2R	TA1600W-4R
	OR22	OR10	OR22	OR33

OUT	TA2000W-2R	TA2000W-4R	TA1600W-2R	TA1600W-4R
	66,76V/Rms @ 2R	93,05V/Rms @ 4R	55,11V/Rms @ 2R	77,83V/Rms @ 4R



FET 1	TA2000W-2R	TA2000W-4R	TA1600W-2R	TA1600W-4R
FET 7	52N15	IRFB 4227	52N15	52N15
FET 13	52N15	IRFB 4227	52N15	52N15
FET 15	52N15	IRFB 4227	52N15	52N15

TARAMPS ELETRONICA LTDA

PRODUTO **AMPL. TA1600D/TA2000D SMD** REV

FOLHA **BLOCO SAIDA** A3

PROJETO **GIVALDO** DESENHO **ADILSON**

DATA {Date}

ARQUIVO **FOLHA 2 DE 5**