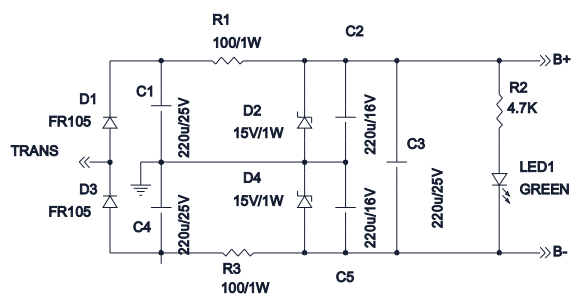
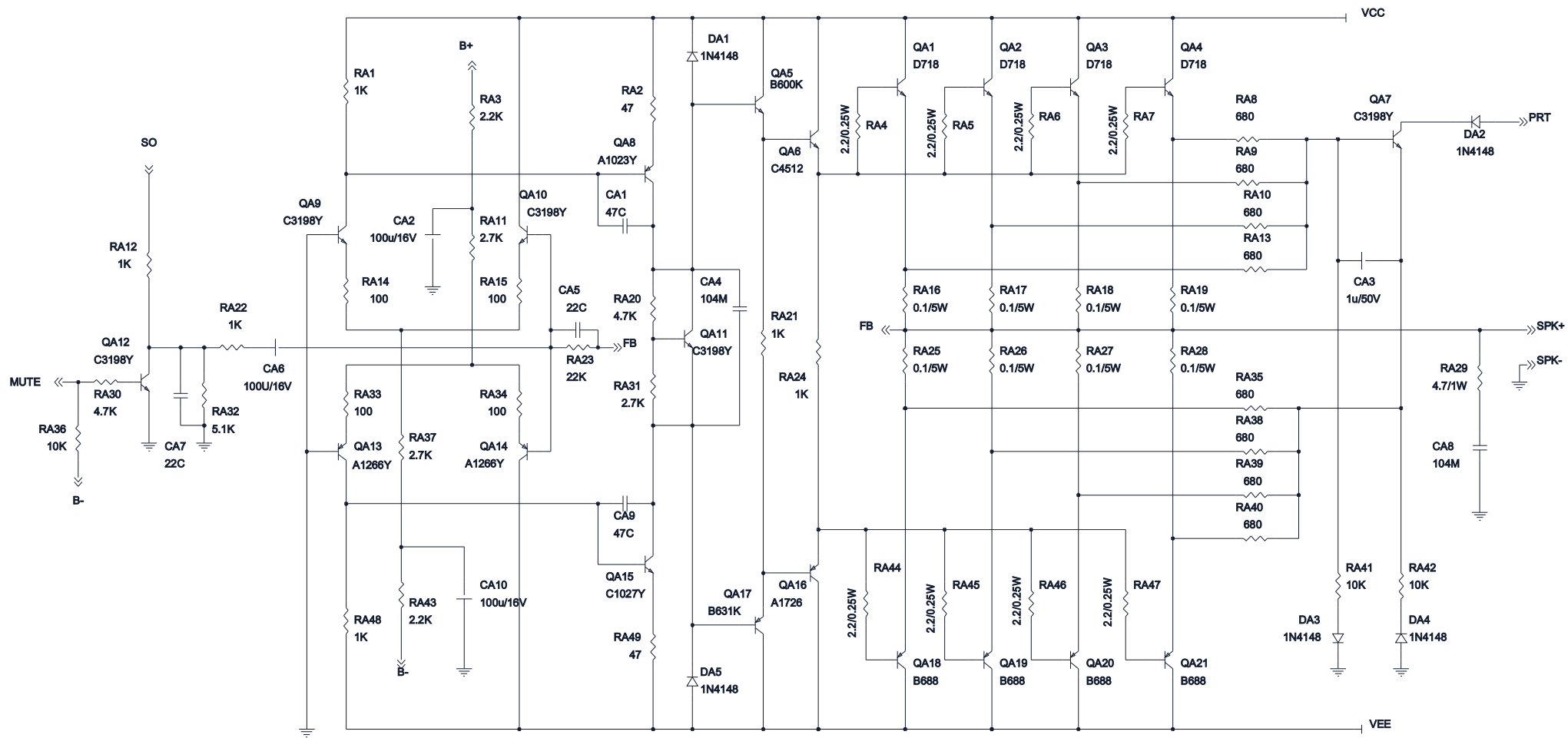




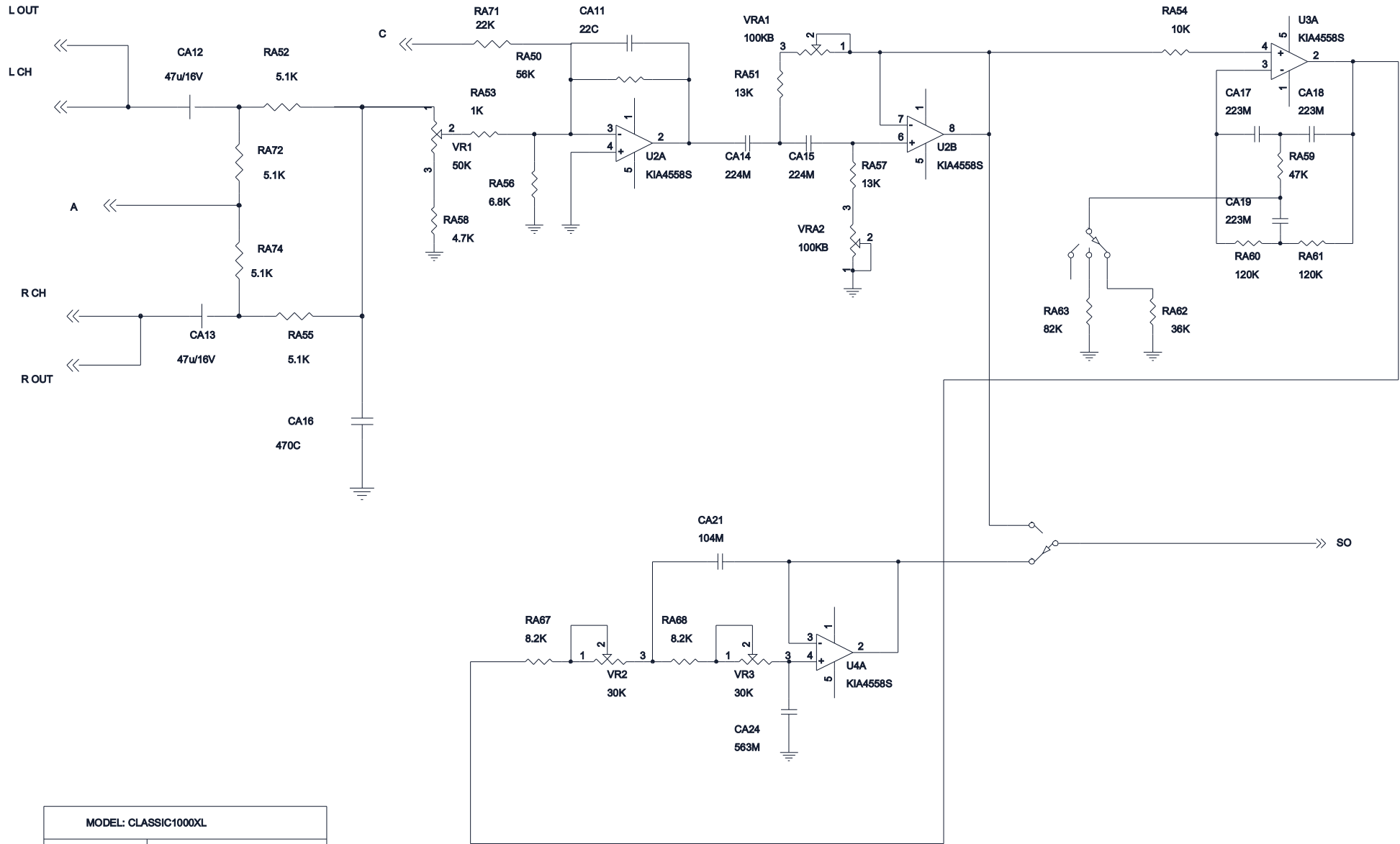
Magnat

CLASSIC 1000 XL

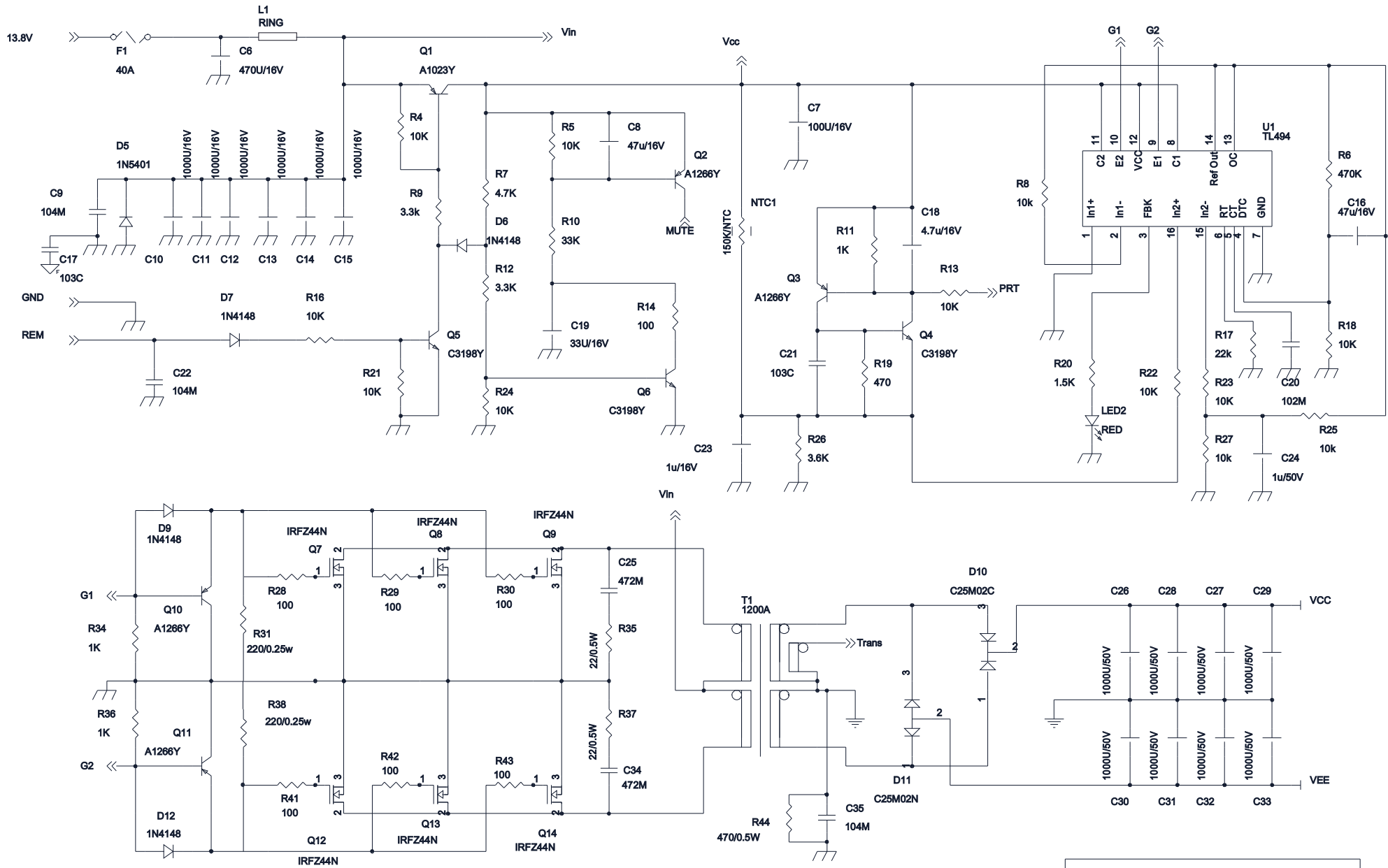
800W MAX 1 CH



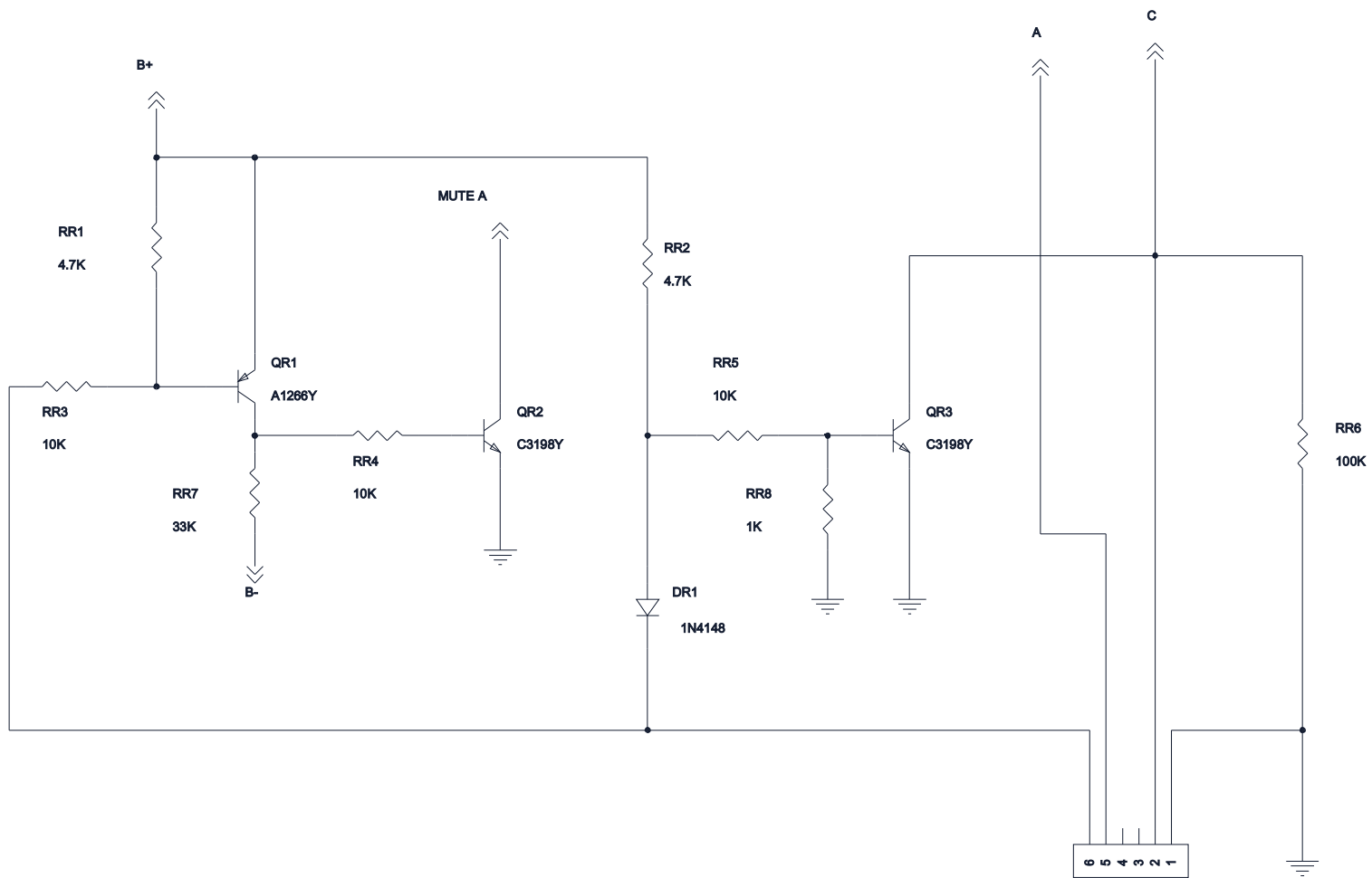
MODEL: CLASSIC1000XL	
JO PARK	DATE: 02. 09. 2004
Rev. : 1.5	1 of 5 pages



MODEL: CLASSIC1000XL	
JO PARK	DATE: 02.09. 2004
Rev. : 1.5	2 of 5 pages



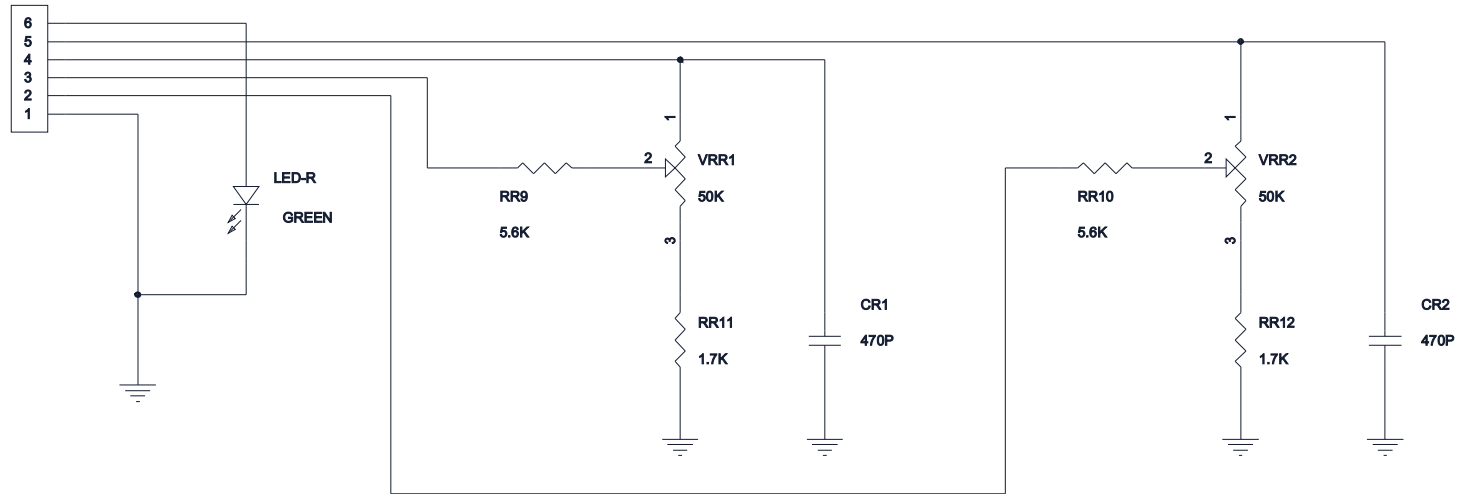
MODEL: CLASSIC1000XL	
JO PARK	DATE: 02. 09. 2004
Rev. : 1.5	3 of 5 pages



MODEL: CLASSIC1000XL	
JO PARK	DATE: 02. 09. 2004
Rev. : 1.5	4 of 5 pages

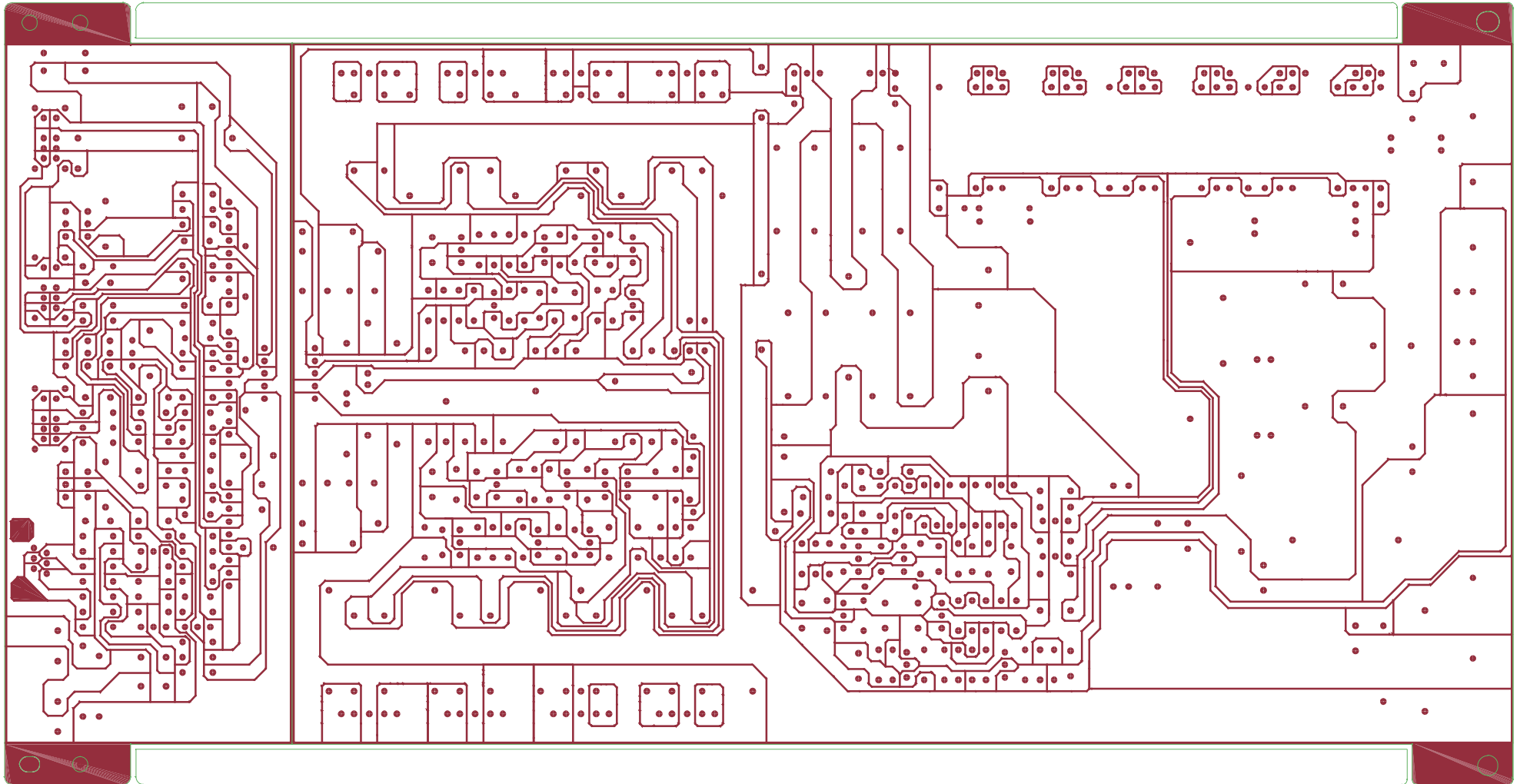
J2

CON6

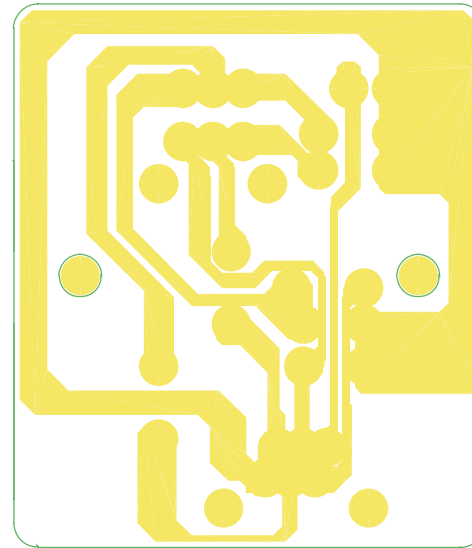
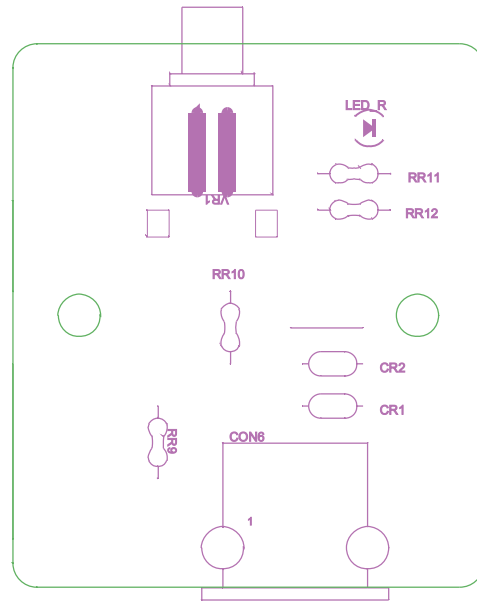


MODEL: CLASSIC1000XL	
JO PARK	DATE: 02. 09. 2004
Rev. : 1.5	5 of 5 pages

CLASSIC1000XL Rev 1.5



CLASSIC1000XL Rev 1.5 VOLUME REMOTE CONTROL



DESCRIPTIONS	SPECIFICATIONS	Q'TY	LOCATION No.													REMARK
			R2	RA30	RA20											
RESISTOR	1/6W 4.7K	3	R2	RA30	RA20											
RESISTOR	1/6W 5.1K	1	RA32													
RESISTOR	1/6W 6.8K	1	RA56													
RESISTOR	1/6W 8.2K	2	RA67	RA68												
RESISTOR	1/6W 10K	18	R4	R5	R8	R13	R16	RA71	R21	R22	R23	R24				
			R25	R27	RR4	RA41	RA42	RA54	RR3	R7						
RESISTOR	1/6W 15K	1	RA73													
RESISTOR	1/6W 22K	1	RA23													
RESISTOR	1/6W 13K	2	RA51	RA57												
RESISTOR	1/6W 16K	1	R17													
RESISTOR	1/6W 33K	2	R10	RR7												
RESISTOR	1/6W 36K	1	RA62													
RESISTOR	1/6W 47K	1	RA59													
RESISTOR	1/6W 82K	2	R15	RA63												
RESISTOR	1/6W 100K	1	RR6													
RESISTOR	1/6W 120K	2	RA61	RA60												
RESISTOR	1/6W 150K	1	RA50													
RESISTOR	1/6W 470K	1	R6													
REMOTE JACK	623PB-6	1														
JUMPER	6mm	3	DR1	JP1	JP2											
JUMPER	12mm	1														
LUGPCB	LUGPCB	1														
P.C.B		1														
REMOTE WIRE	6P LINE CORD 5M	1														
REMOTE JACK	623PB-6	1														
V/R	15RSC50K	1														
RESISTOR	1/6W 1.2K	1	RR9													
RESISTOR	1/6W 4.7K	1	RR11													
C/C	470C RADIAL	2	CR2													
LED	3PIE GREEN	1														
SCREW	PH M2 3X4 BLK	6														
VOLUME KNOB		1														
REMOTE CONTROL CASE	ADD-D-C-73	1														
HEAT SINK	300mmX282mm	1														
TR-BRACKET(A)		4														
TR-BRACKET(B)		4														
FRONT PANEL		1														
REAR PANEL		1														
BOTTOM CHASSIS		1														
MANUAL		1														
FUSE	40A	1														

Volume Remote Control / Front View



Volume Remote Control / Side View

