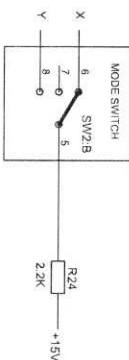
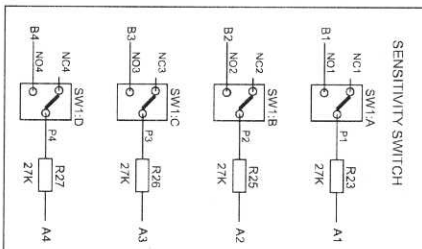
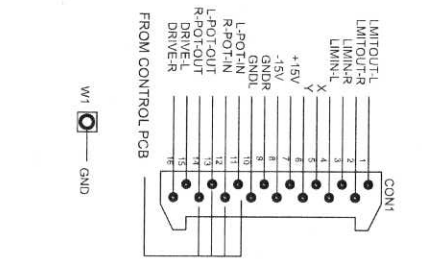
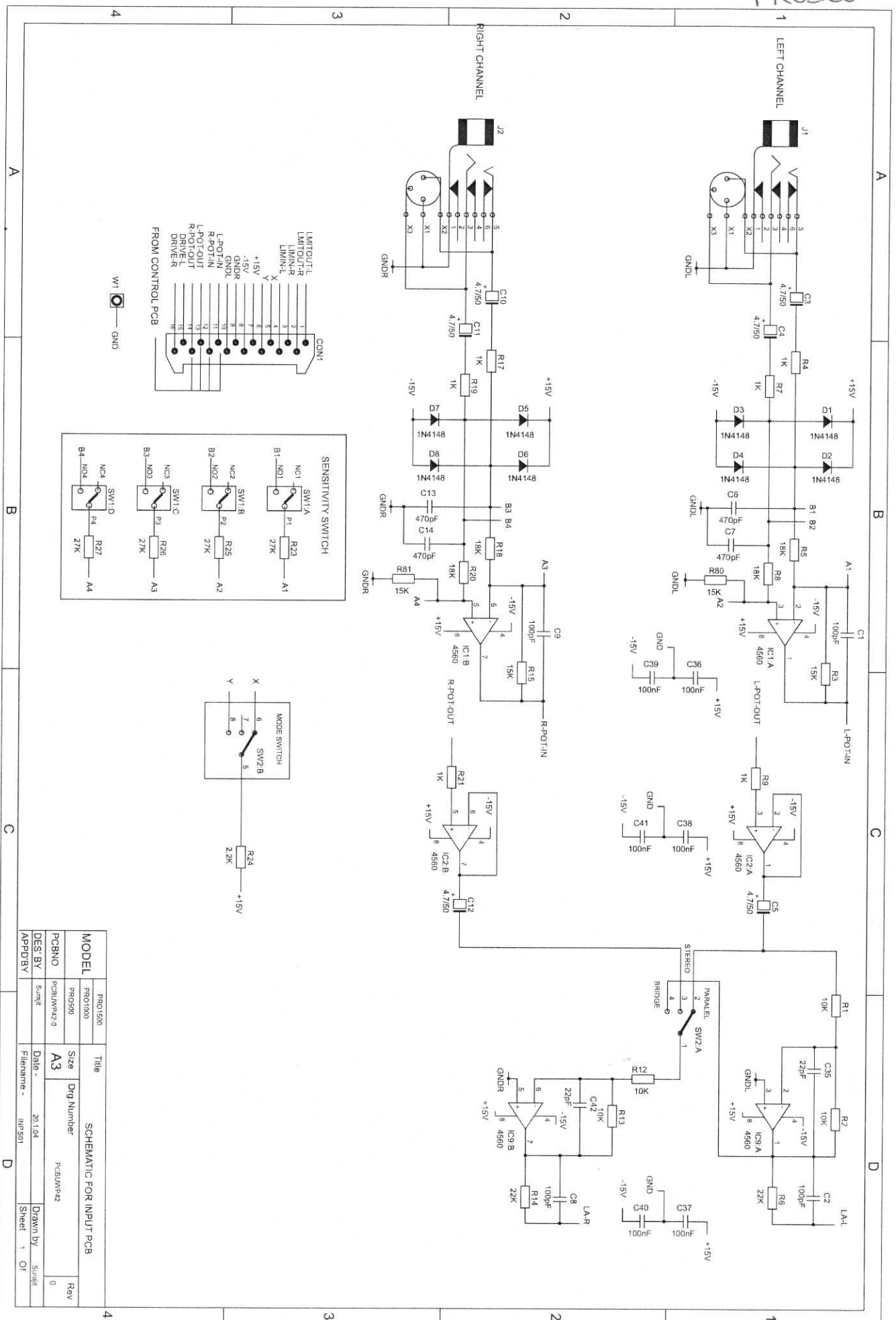
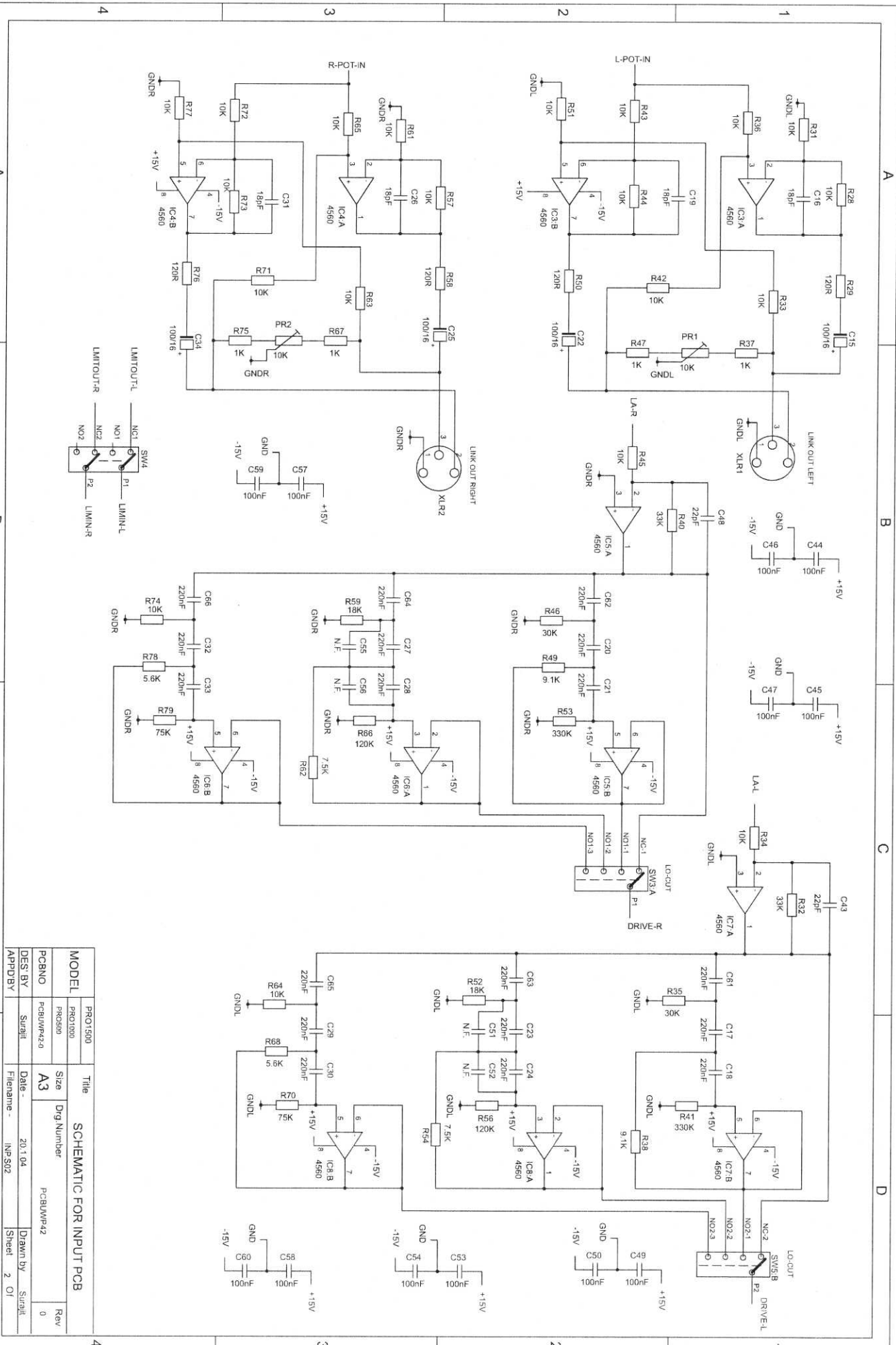


171-200
PRO500

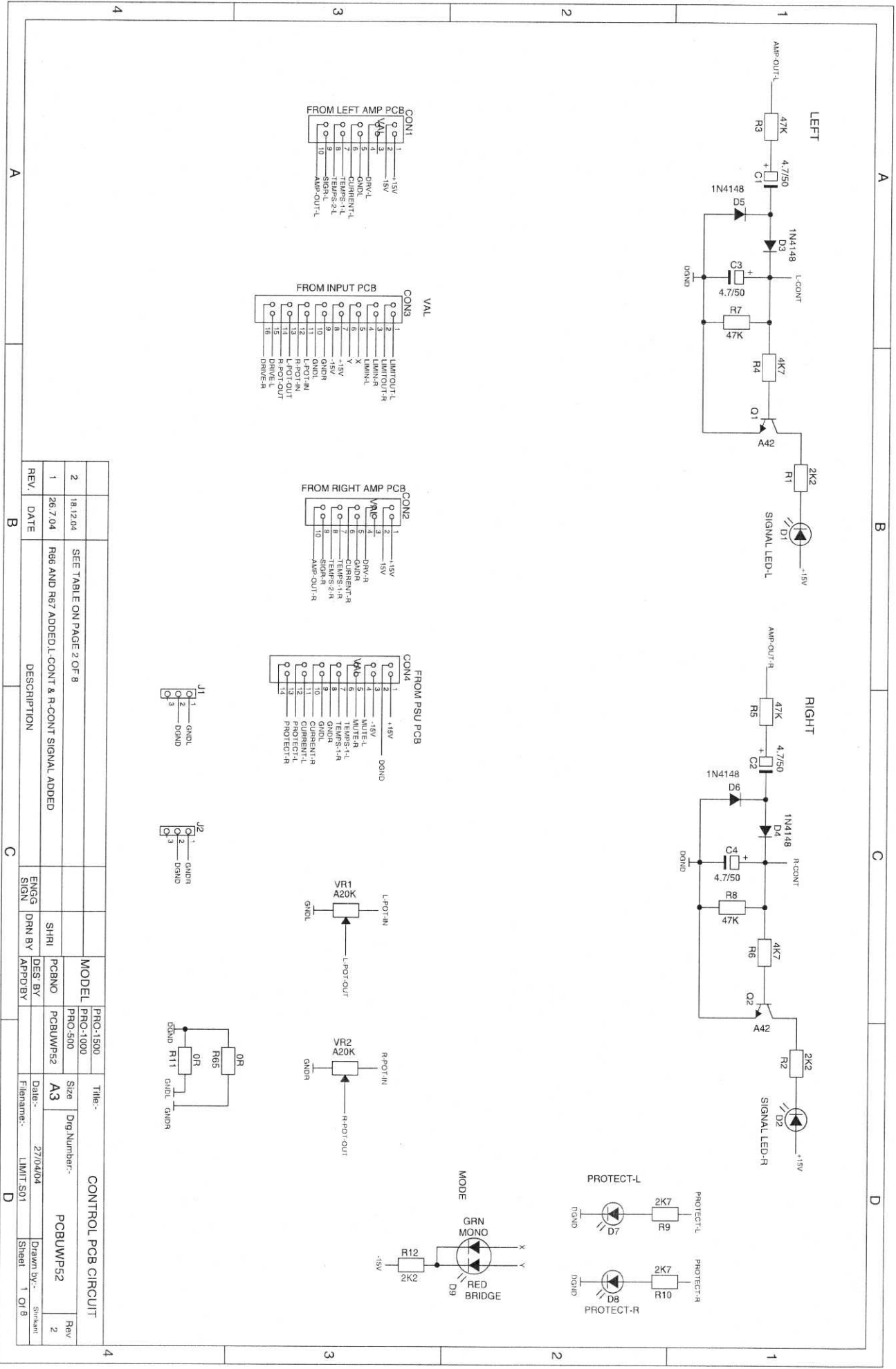


MODEL	PRO1500	Title	SCHEMATIC FOR INPUT PCB	
PCBNO	PRO1000	Size	A3	Rev
DESIGN	PCBURN=42.9	Dwg Number	PCBURN=42	0
APPBY	Swilk	Date	20.104	Drawn by
		Filename	INP501	Sheet 1 of 1



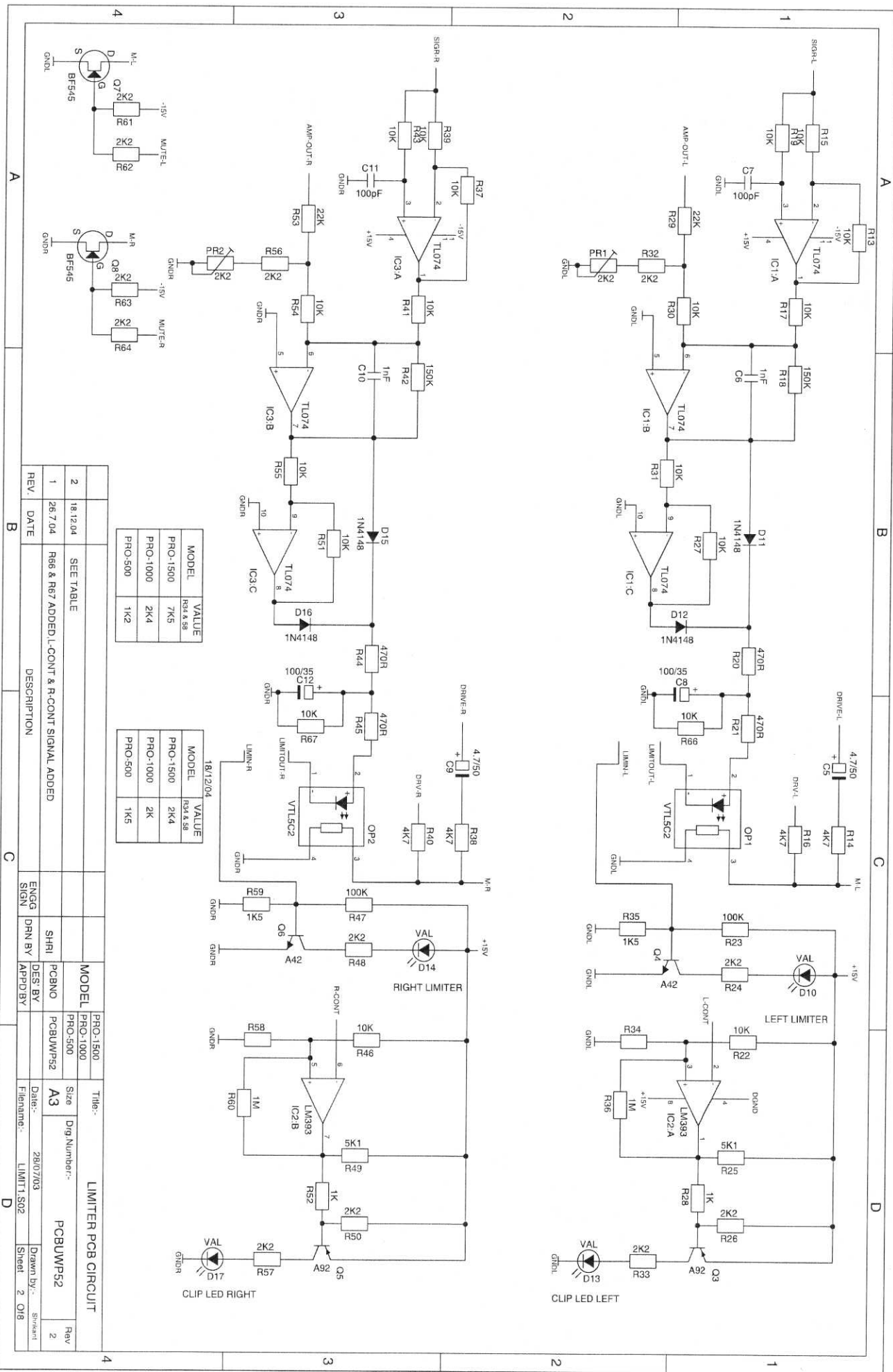
MODEL		Title	
PROT1500	PROT1000	Size	Dig Number
PCBN0	PCBN0	A3	PCBUWP42
DES:BY	PCBUWP420	Date: -	20.1.04
APP:BY	Strall	Filename -	INP.S02
		Drawn by	Strall
		Sheet	2 of

SCHEMATIC FOR INPUT PCB



REV.		DATE	DESCRIPTION	ENGG	DRN BY	APP'D BY	MODEL	PROJ. NO.	Size	DRG Number	PCB No.	Rev
1	26.7.04		R66 AND R67 ADDED. L-COUNT & R-COUNT SIGNAL ADDED		SHRI		PROJ-1500	A3	27/04/04	PCBUWFS2		2
2	18.12.04		SEE TABLE ON PAGE 2 OF 8				PROJ-1000					

Title:		CONTROL PCB CIRCUIT										
Model:		PROJ-1500										
Size:		A3										
Date:		27/04/04										
Filename:		LIMIT_S01										
Drawn by:		Sheet 1 OF 8										
Rev:		2										



MODEL	VALUE
PRO-1500	R34 & R38
PRO-1500	7K5
PRO-1000	2K4
PRO-500	1K2

MODEL	VALUE
PRO-1500	R34 & R38
PRO-1500	2K4
PRO-1000	2K
PRO-500	1K5

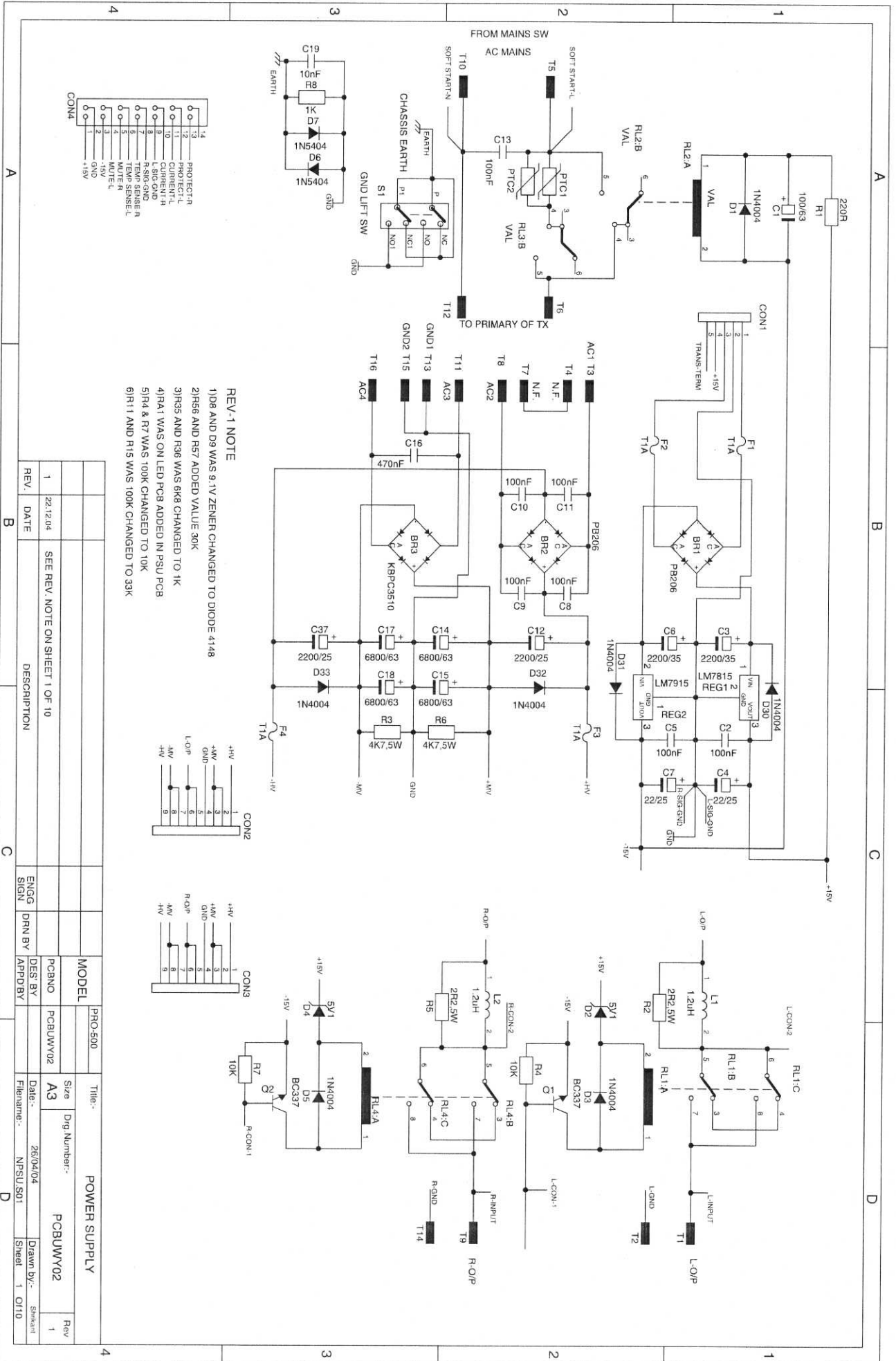
REV.	DATE	DESCRIPTION	ENG	DRN BY	APP'D BY	MODEL	PROJ. NO.	DATE	FILENAME
2	18.12.04	SEE TABLE				PRO-1500			
1	26.7.04	R56 & R57 ADDED, L-COUNT & R-COUNT SIGNAL ADDED		SHH		PRO-1000			

MODEL	PROJ. NO.	DATE	FILENAME
PRO-1500			
PRO-1000			
PRO-500			

Size	Dwg Number	Rev
A3	2807/03	2

PCB	APP'D BY	DATE	SHEET
PCB	SHH	28/07/03	2

LIMITER PCB CIRCUIT
 Title: LIMITER PCB CIRCUIT
 Size: A3
 Dwg Number: 2807/03
 Rev: 2
 PCB: PCBW/P52
 Date: 28/07/03
 File Name: LIMIT1_S02
 Drawn by: SHH
 Sheet: 2 of 8



REV.1 NOTE
 1/D8 AND D9 WAS 9.1V ZENER CHANGED TO DIODE 4148
 2/R56 AND R57 ADDED VALUE 30K
 3/R35 AND R36 WAS 6K8 CHANGED TO 1K
 4/R41 WAS ON LED PCB ADDED IN PSU PCB
 5/R4 & R7 WAS 100K CHANGED TO 10K
 6/R11 AND R15 WAS 100K CHANGED TO 33K

CON1

1	PROTECTA
2	PROTECTA
3	PROTECTA
4	PROTECTA
5	PROTECTA
6	PROTECTA
7	PROTECTA
8	PROTECTA
9	PROTECTA
10	PROTECTA
11	PROTECTA
12	PROTECTA
13	PROTECTA
14	PROTECTA

CON2

1	PROTECTA
2	PROTECTA
3	PROTECTA
4	PROTECTA
5	PROTECTA
6	PROTECTA
7	PROTECTA
8	PROTECTA
9	PROTECTA
10	PROTECTA
11	PROTECTA
12	PROTECTA
13	PROTECTA
14	PROTECTA

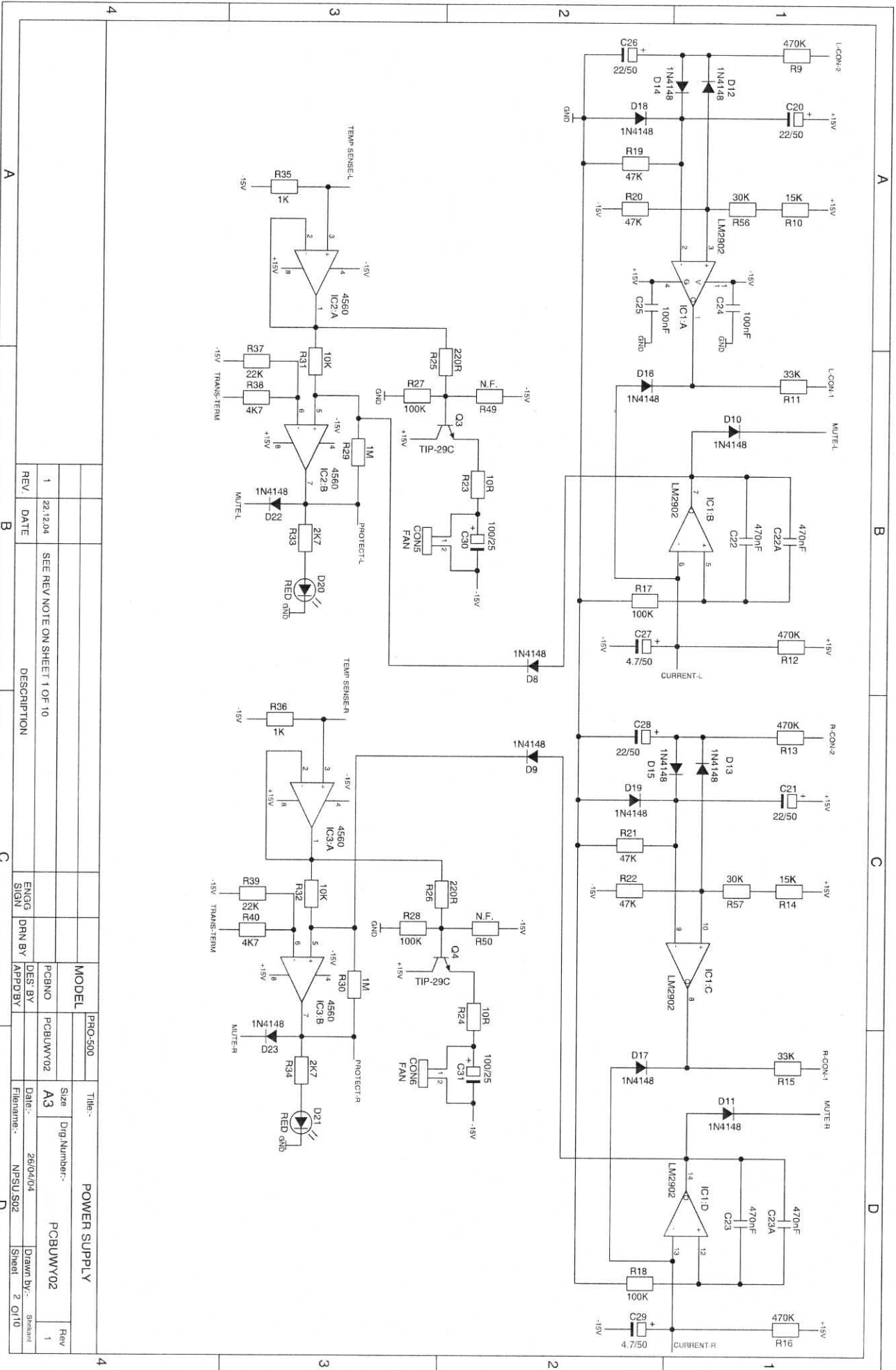
CON3

1	PROTECTA
2	PROTECTA
3	PROTECTA
4	PROTECTA
5	PROTECTA
6	PROTECTA
7	PROTECTA
8	PROTECTA
9	PROTECTA
10	PROTECTA
11	PROTECTA
12	PROTECTA
13	PROTECTA
14	PROTECTA

CON4

1	PROTECTA
2	PROTECTA
3	PROTECTA
4	PROTECTA
5	PROTECTA
6	PROTECTA
7	PROTECTA
8	PROTECTA
9	PROTECTA
10	PROTECTA
11	PROTECTA
12	PROTECTA
13	PROTECTA
14	PROTECTA

REV.	DATE	DESCRIPTION	ENGG SIGN	DRN BY	DES BY	PCBNO	PCBUWY02	PRO-500	MODEL	Title:-	Size	Drwg Number:-	PCBUWY02	Rev
1	22/12/04	SEE REV. NOTE ON SHEET 1 OF 10								POWER SUPPLY	A3	26/04/04	PCBUWY02	1
													Drawn by:-	Shankar
													Sheet	1 OF 10

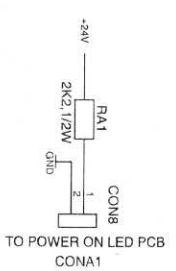
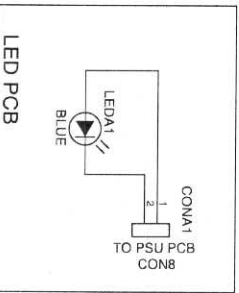
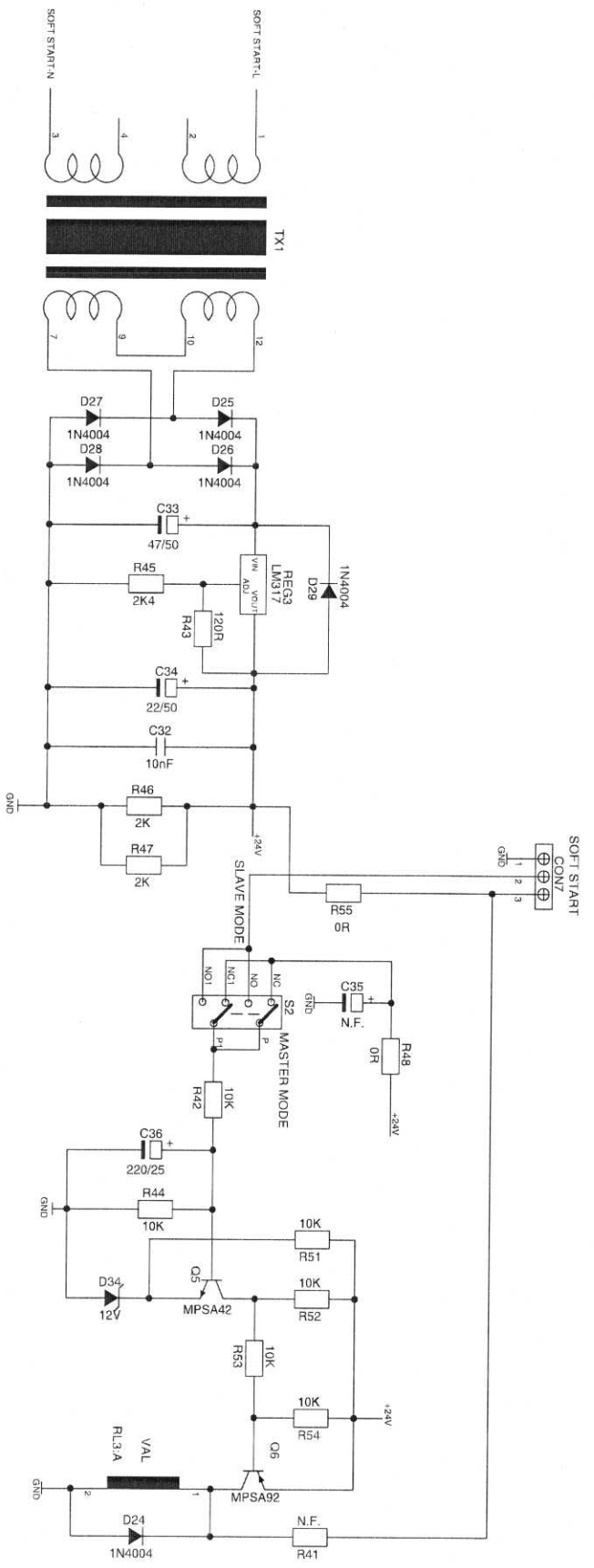


REV.		DATE		DESCRIPTION																			
1	22.12.04	SEE REV NOTE ON SHEET 1 OF 10																					
<table border="1"> <tr> <td>PRO-500</td> <td>MODEL</td> <td>PCBUWY02</td> <td>PCBNO</td> <td>DESIGN BY</td> <td>APP'D BY</td> </tr> <tr> <td>A3</td> <td>Size</td> <td>28/04/04</td> <td>Date</td> <td>NFSU S02</td> <td>Filename</td> </tr> <tr> <td>1</td> <td>Rev</td> <td>2</td> <td>Sheet</td> <td>2</td> <td>Of 10</td> </tr> </table>						PRO-500	MODEL	PCBUWY02	PCBNO	DESIGN BY	APP'D BY	A3	Size	28/04/04	Date	NFSU S02	Filename	1	Rev	2	Sheet	2	Of 10
PRO-500	MODEL	PCBUWY02	PCBNO	DESIGN BY	APP'D BY																		
A3	Size	28/04/04	Date	NFSU S02	Filename																		
1	Rev	2	Sheet	2	Of 10																		

POWER SUPPLY

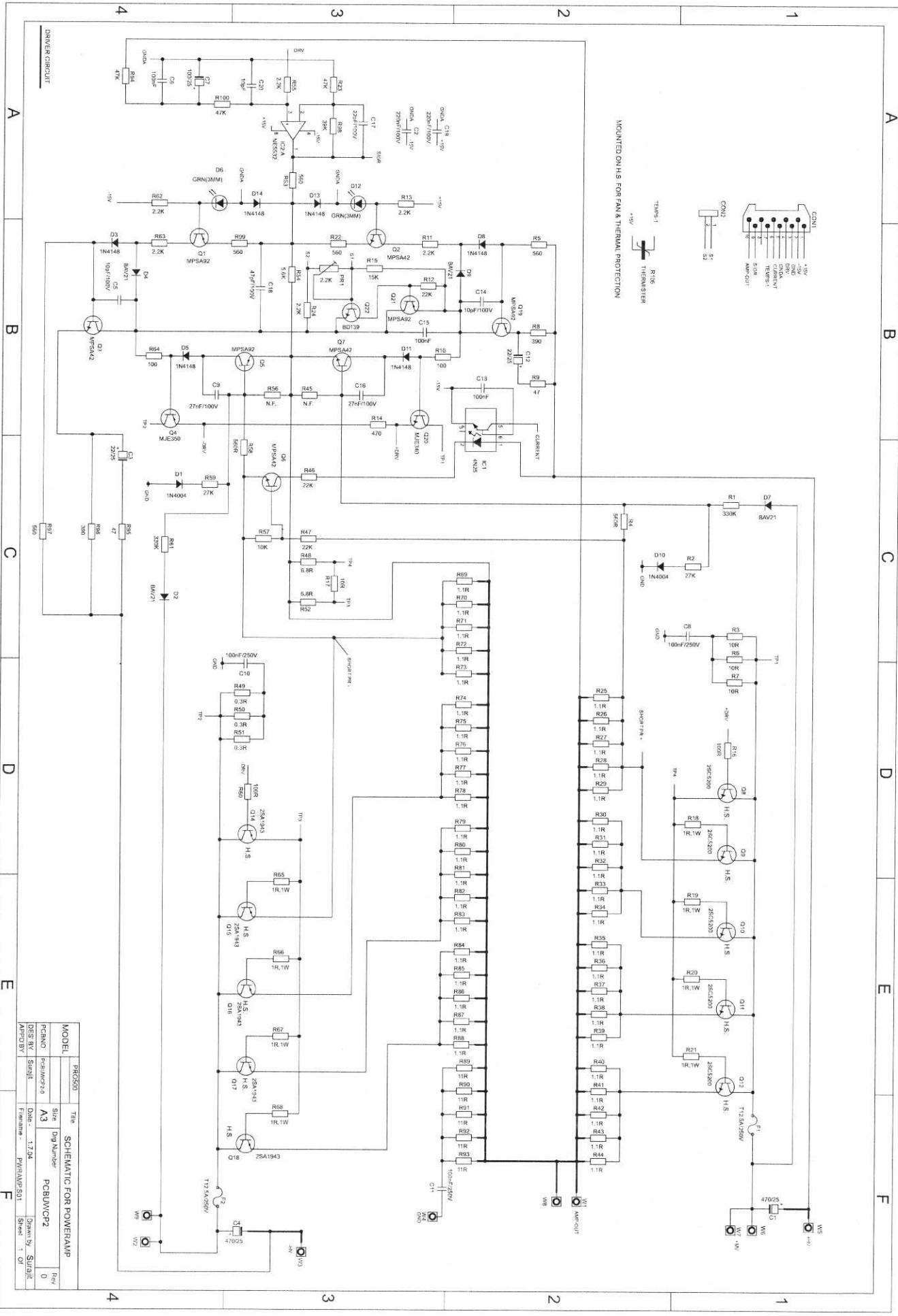
PRO-500

1



REV.	DATE	DESCRIPTION	ENGG SIGN	DRN BY	DES BY	APP'D BY	Size	Dwg Number	PCB U/W Y02	Rev
1	22.12.04	SEE REV NOTE ON SHEET 1 OF 10					A3	26/04/04	PCBUWY02	1
MODEL			Title			POWER SUPPLY				
PRO-500										
PCBNO			Date			Filename				
PCBUWY02			26/04/04			NPSU503				
DES BY			Drawn by			Sheet				
APP'D BY			SHEKANT			3				
			GND							

4 3 2 1 A B C D



MODEL	TYPE
PCBAMP01	SCHEMATIC FOR POWERAMP
PCBAMP02	PCBAMP02
PCBAMP03	PCBAMP03
PCBAMP04	PCBAMP04
PCBAMP05	PCBAMP05
PCBAMP06	PCBAMP06
PCBAMP07	PCBAMP07
PCBAMP08	PCBAMP08
PCBAMP09	PCBAMP09
PCBAMP10	PCBAMP10
PCBAMP11	PCBAMP11
PCBAMP12	PCBAMP12
PCBAMP13	PCBAMP13
PCBAMP14	PCBAMP14
PCBAMP15	PCBAMP15
PCBAMP16	PCBAMP16
PCBAMP17	PCBAMP17
PCBAMP18	PCBAMP18
PCBAMP19	PCBAMP19
PCBAMP20	PCBAMP20
PCBAMP21	PCBAMP21
PCBAMP22	PCBAMP22
PCBAMP23	PCBAMP23
PCBAMP24	PCBAMP24
PCBAMP25	PCBAMP25
PCBAMP26	PCBAMP26
PCBAMP27	PCBAMP27
PCBAMP28	PCBAMP28
PCBAMP29	PCBAMP29
PCBAMP30	PCBAMP30
PCBAMP31	PCBAMP31
PCBAMP32	PCBAMP32
PCBAMP33	PCBAMP33
PCBAMP34	PCBAMP34
PCBAMP35	PCBAMP35
PCBAMP36	PCBAMP36
PCBAMP37	PCBAMP37
PCBAMP38	PCBAMP38
PCBAMP39	PCBAMP39
PCBAMP40	PCBAMP40
PCBAMP41	PCBAMP41
PCBAMP42	PCBAMP42
PCBAMP43	PCBAMP43
PCBAMP44	PCBAMP44
PCBAMP45	PCBAMP45
PCBAMP46	PCBAMP46
PCBAMP47	PCBAMP47
PCBAMP48	PCBAMP48
PCBAMP49	PCBAMP49
PCBAMP50	PCBAMP50

DESIGN BY: SUTARIC
 DATE: 17.04
 SHEET: 1 OF 1