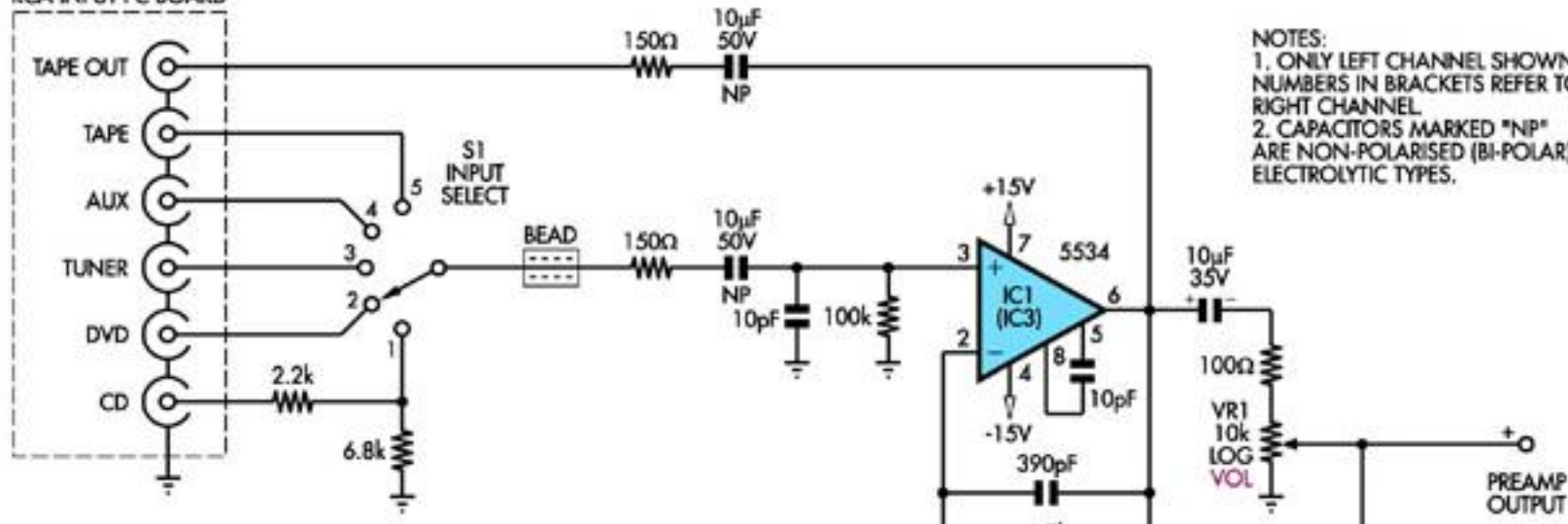
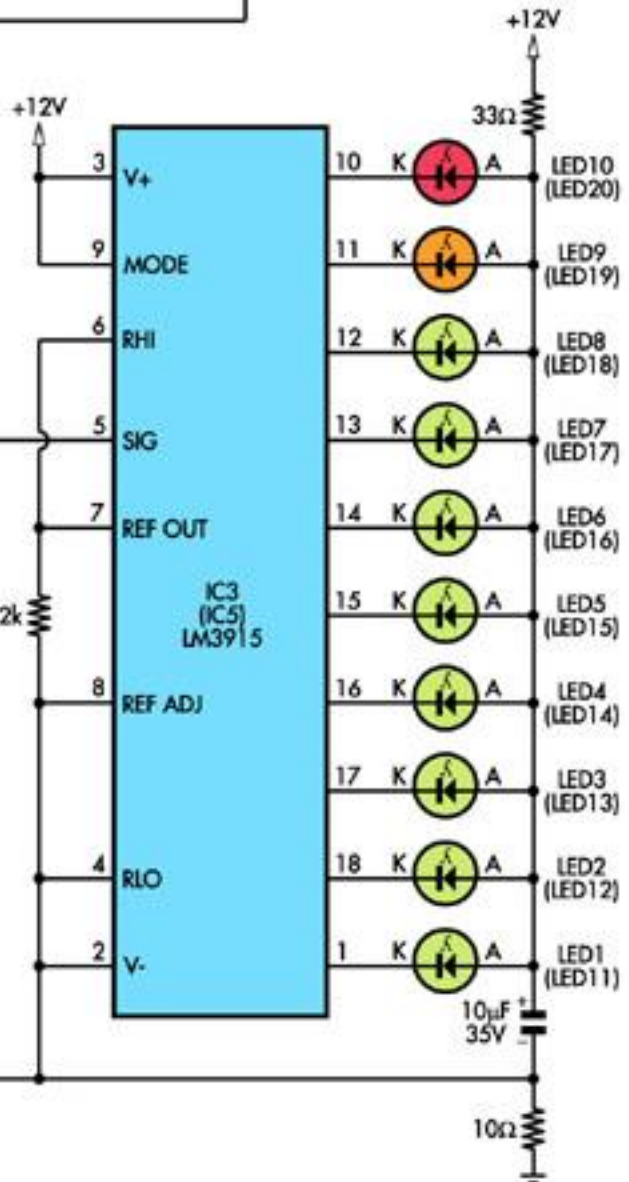
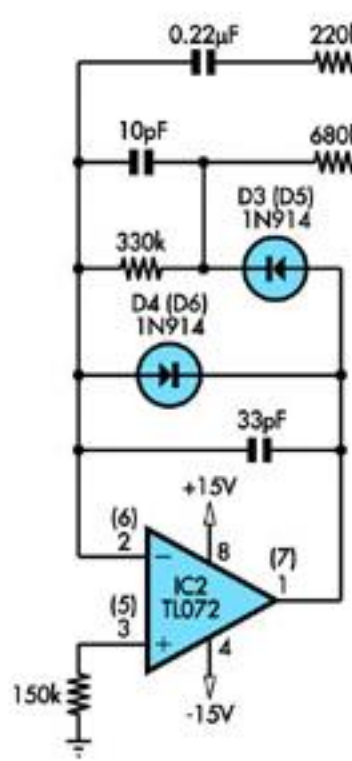
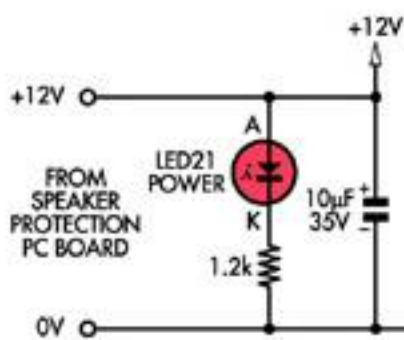
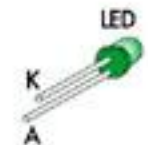
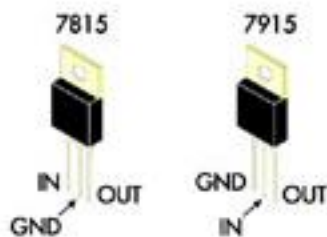
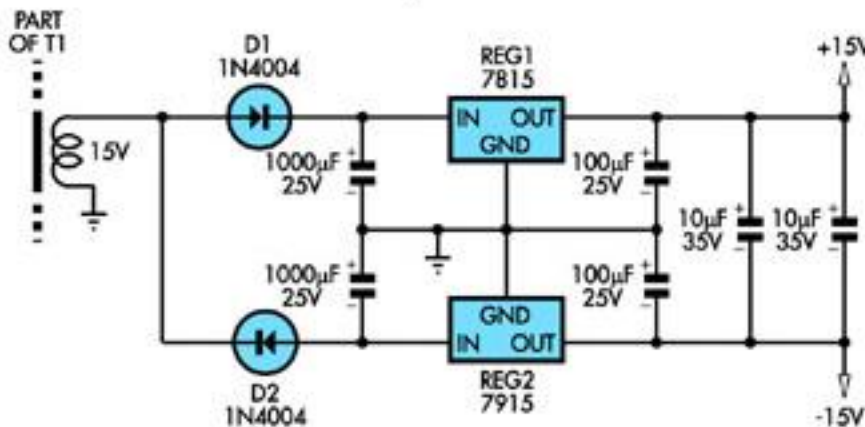
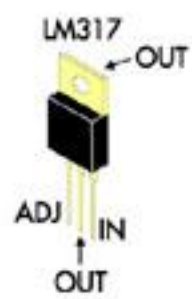
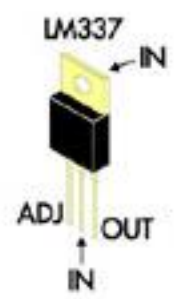
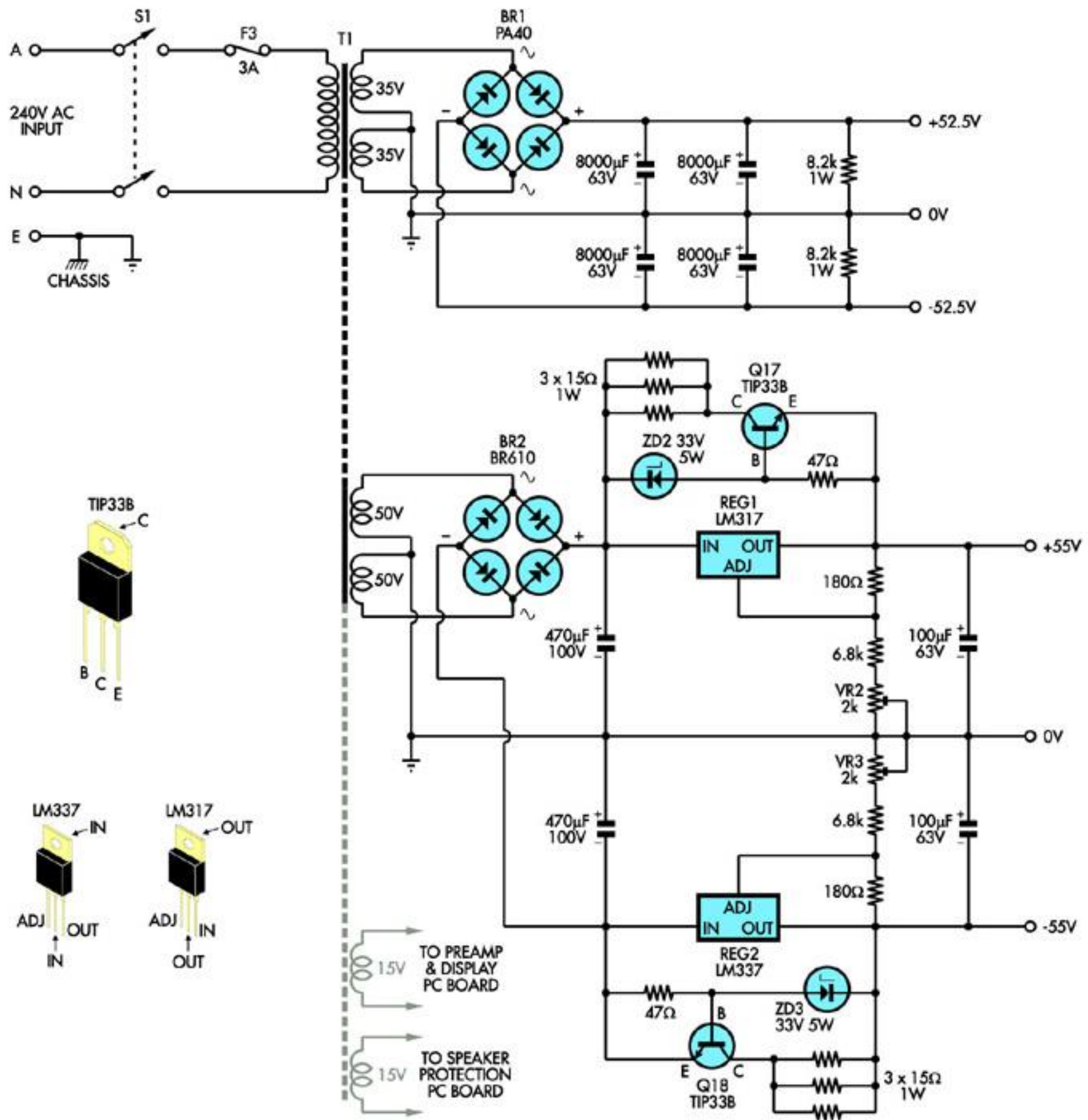


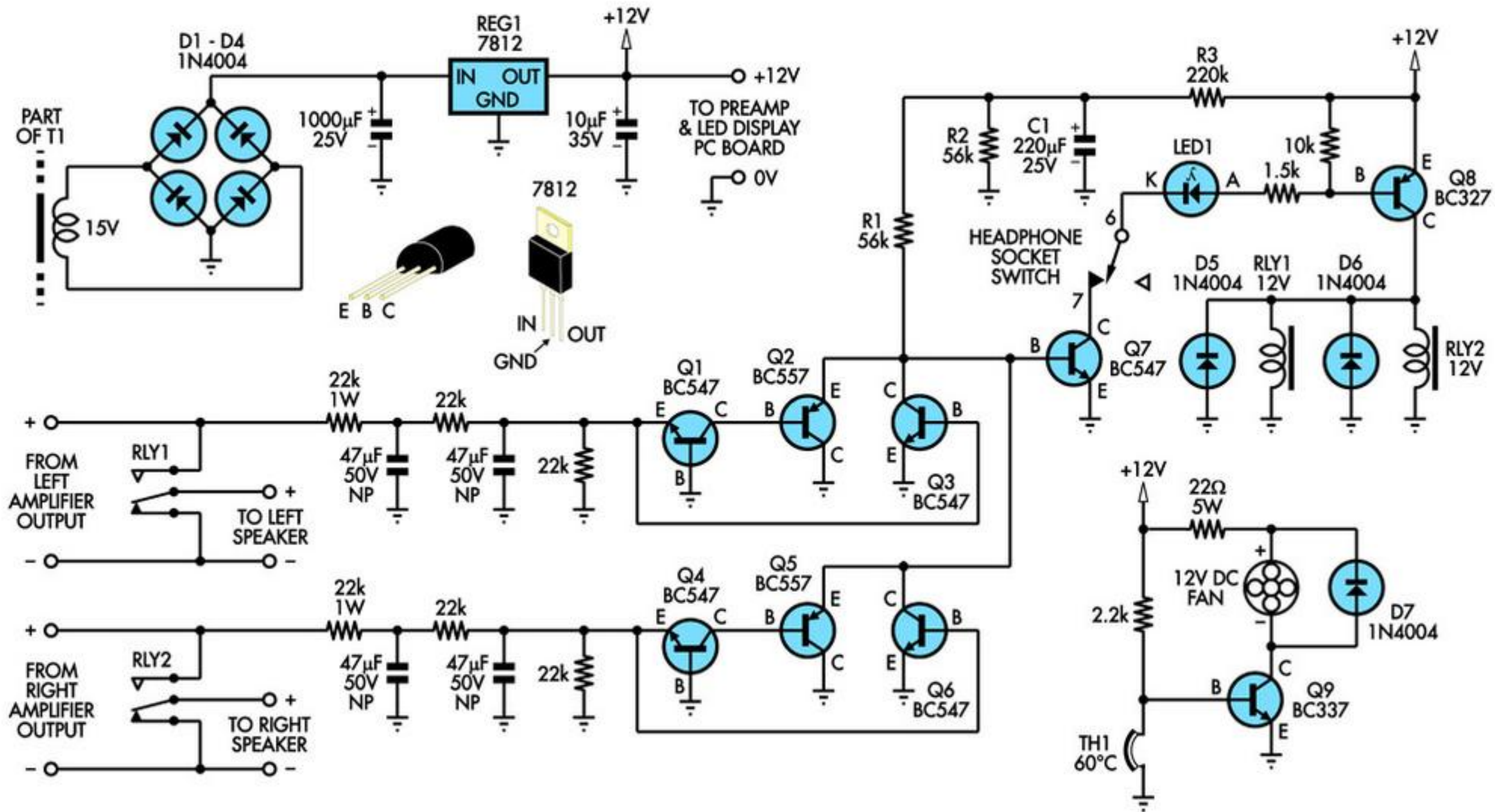
RCA INPUT PC BOARD



NOTES:
 1. ONLY LEFT CHANNEL SHOWN. NUMBERS IN BRACKETS REFER TO RIGHT CHANNEL.
 2. CAPACITORS MARKED "NP" ARE NON-POLARISED (BI-POLAR) ELECTROLYTIC TYPES.







SC ©2001 **ULTRA-LD SPEAKER PROTECTION**

NOTE: CAPACITORS MARKED "NP" ARE NON-POLARISED (BI-POLAR) ELECTROLYTIC TYPES