

KRELL INDUSTRIES, INC.
45 Connair Road
Orange, CT 06477 USA

FPB 300
Output Board

Page 1 of 1

Drawn by T. Eichenbaum

Drawing No. 100-077-01

Rev. -

Date: August 1995

Rev.	Description	Date
B	changed connections to 0.1uF caps, changed R130,R131,R158,R159 to 150 ohms, changed C77,C78,C79,C80 to 680pf	1/28/98

Rev.	Description	Date

Rev.	Description	Date

Rev.	Description	Date

6

5

4

3

2

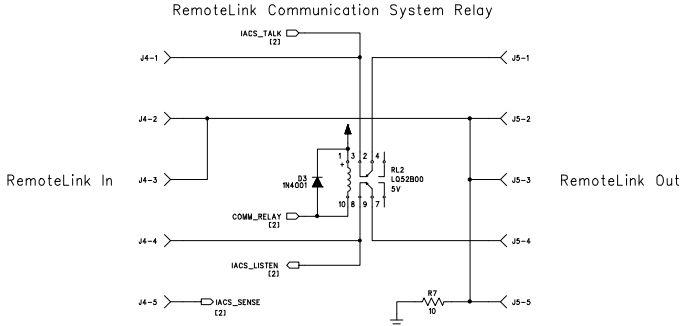
1

D

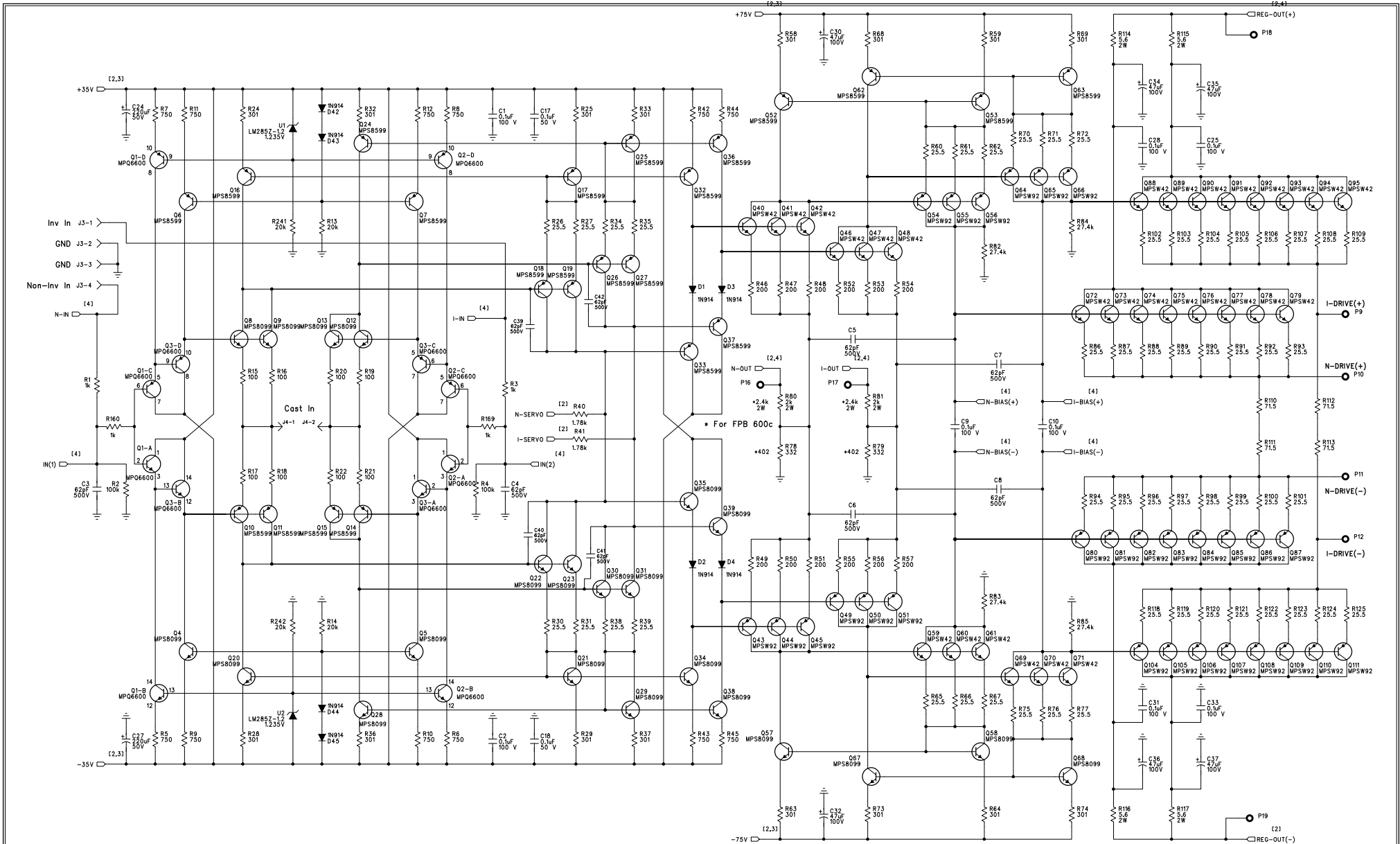
C

B

A



REVISION RECORD			 30 Maple Drive Wrentham, MA 01960				
REV	COMMENTS	DATE	TITLE	DRAWN BY:	SIZE:	DRAWING NO:	REV:
1	PROTOTYPE	10/95	FPB 300/600 SLOW START	SGF	D	100-077-06	B
		DATE:	10-27-95	SHEET:		2 of 2	

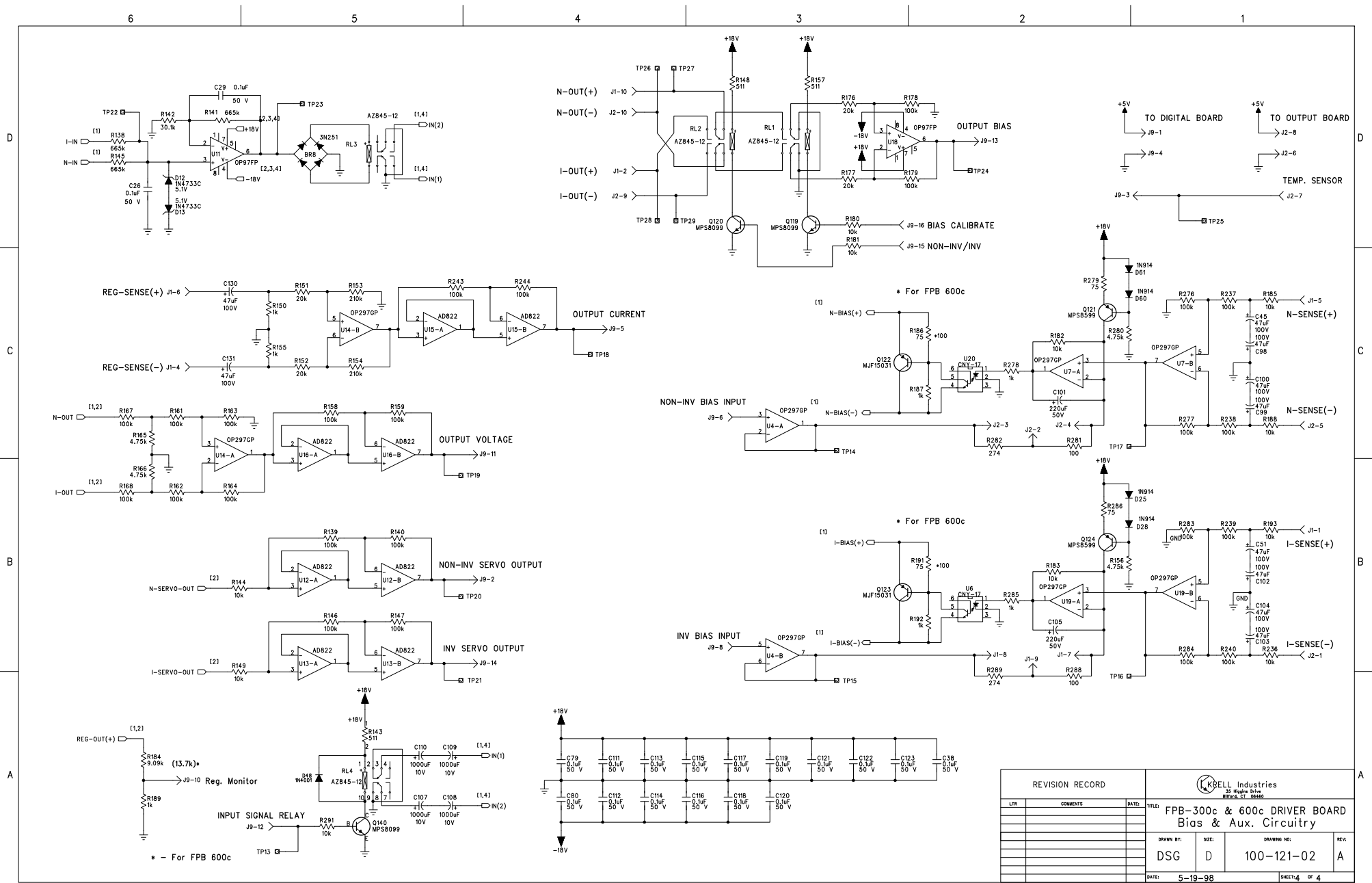


KRELL INDUSTRIES, INC.
45 Connair Road
Orange, CT 06477 USA

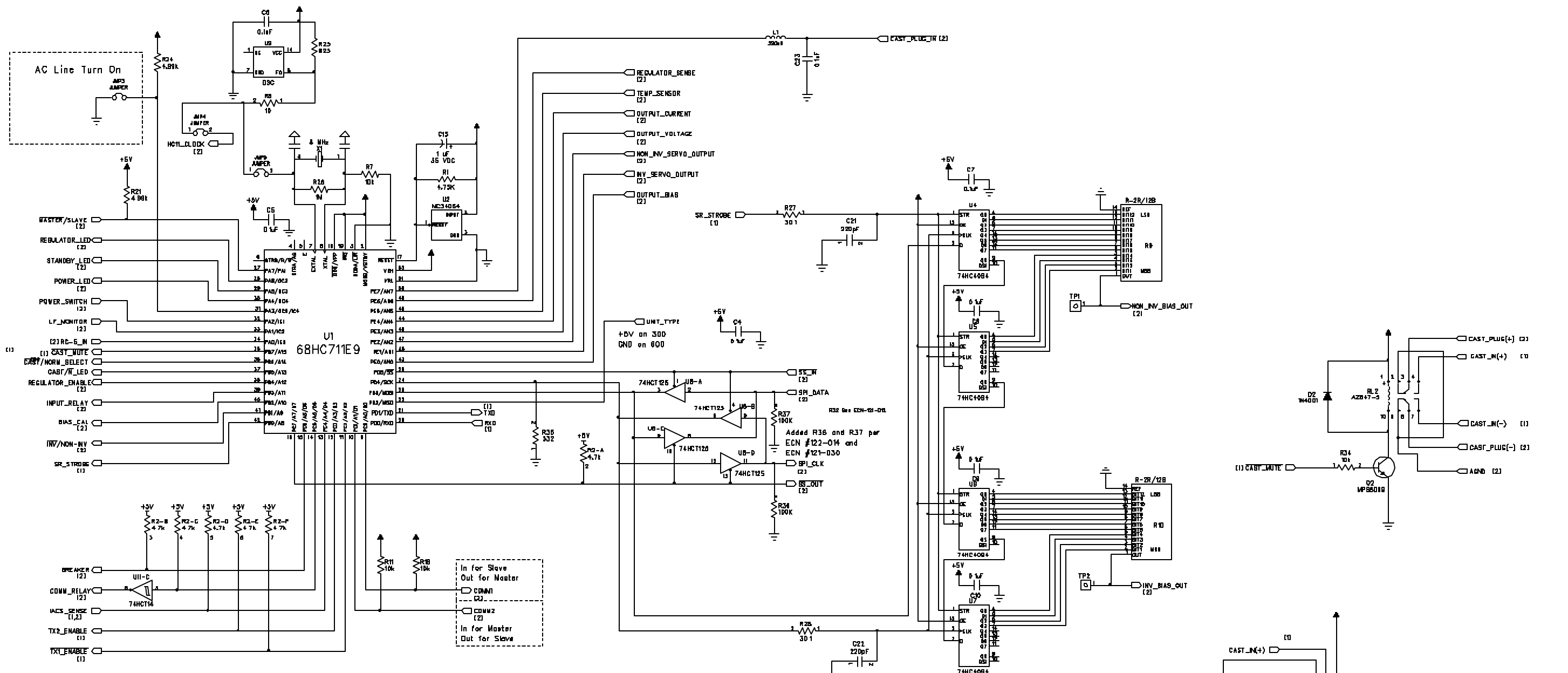
FPB-300c & 600c DRIVER BOARD
Input and Voltage Gain Stages
Drawing No. 100-121-02 Rev. A

Page 1 of 4
Drawn by DJP
Date: 5-19-98

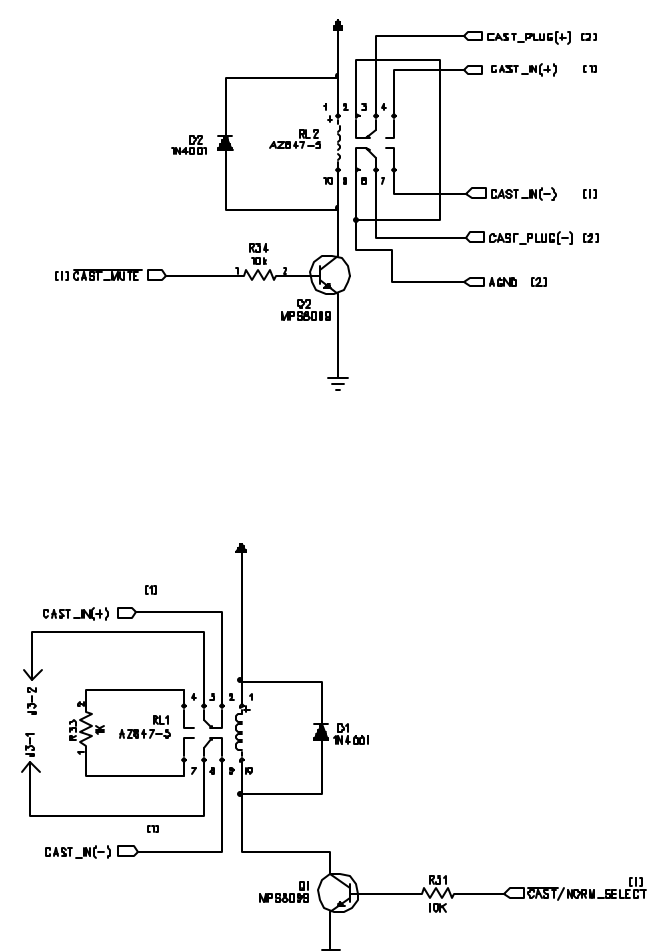
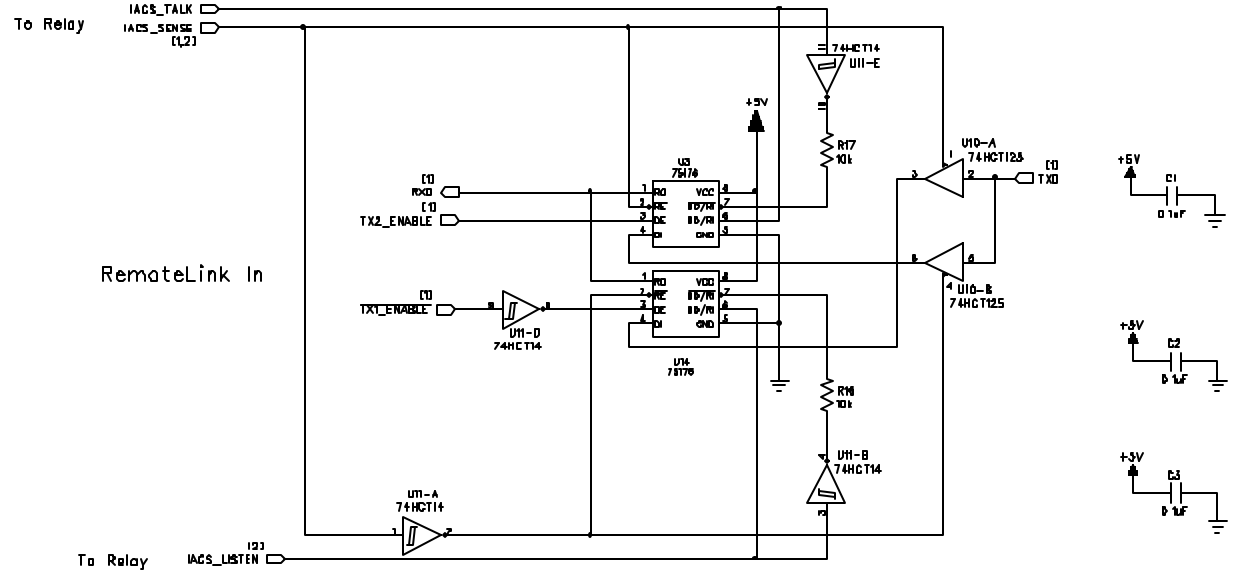
Rev.	Description	Date	Rev.	Description	Date	Rev.	Description	Date
A	Added comp. caps for cost oper. C39-42	12-4-98						
A1	Change MPQ6600 with BC547C & BC557C.	9-23-98						



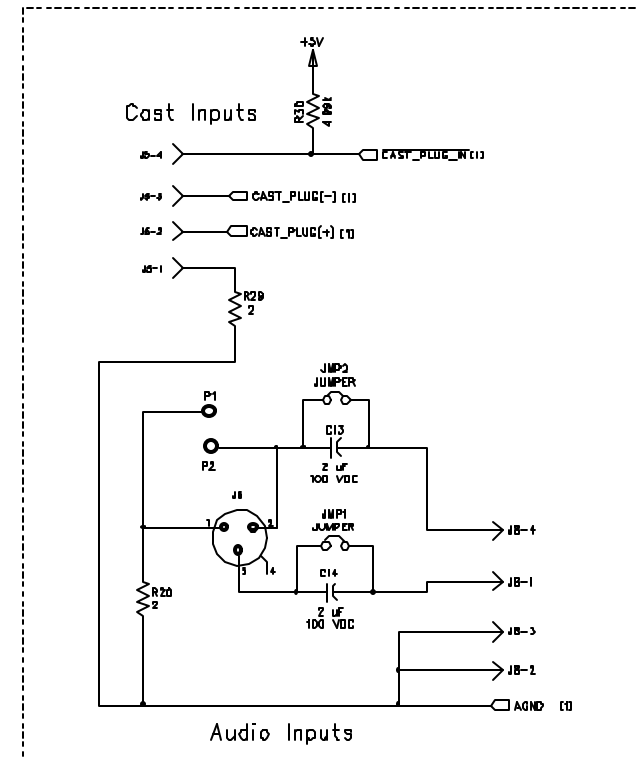
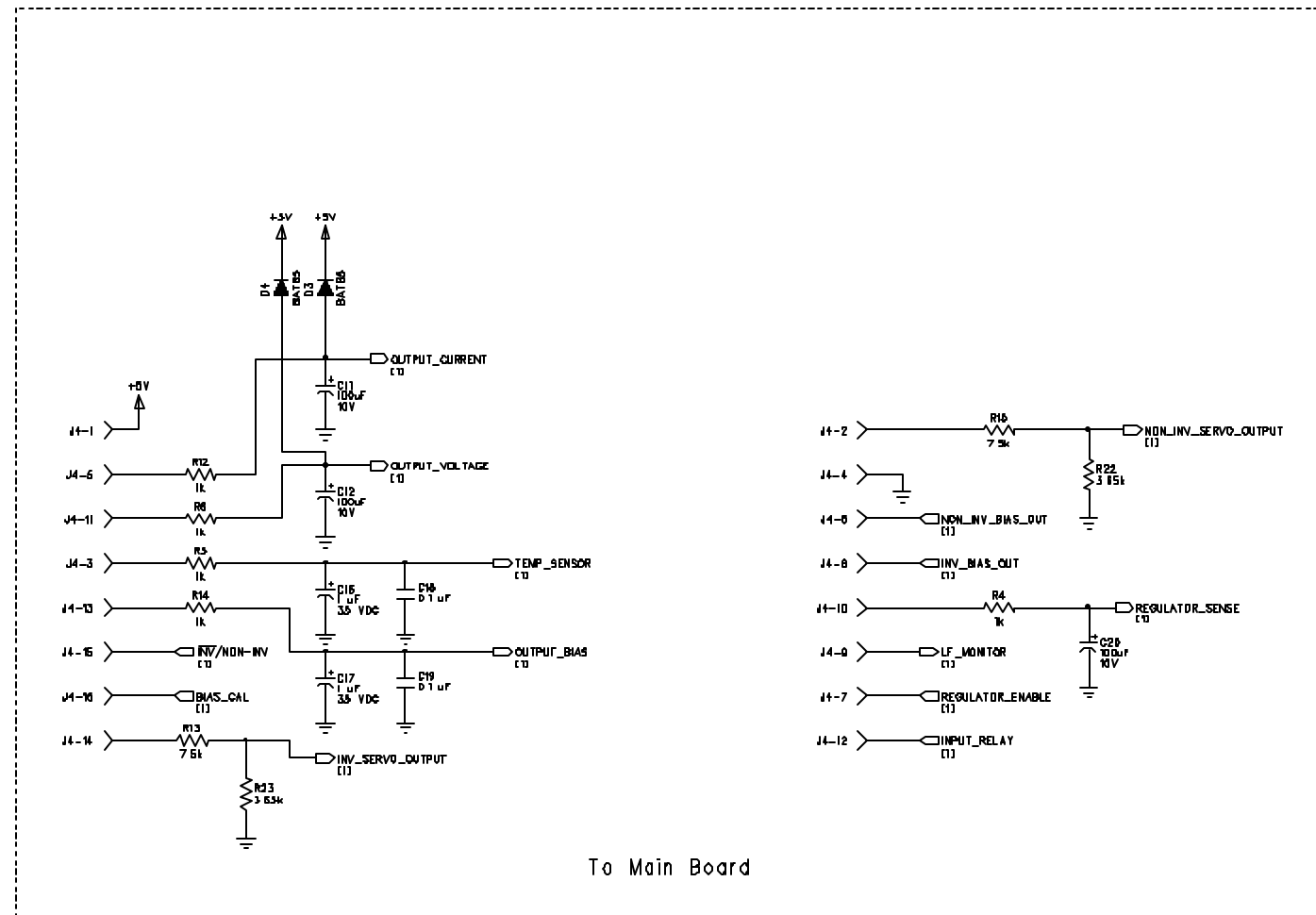
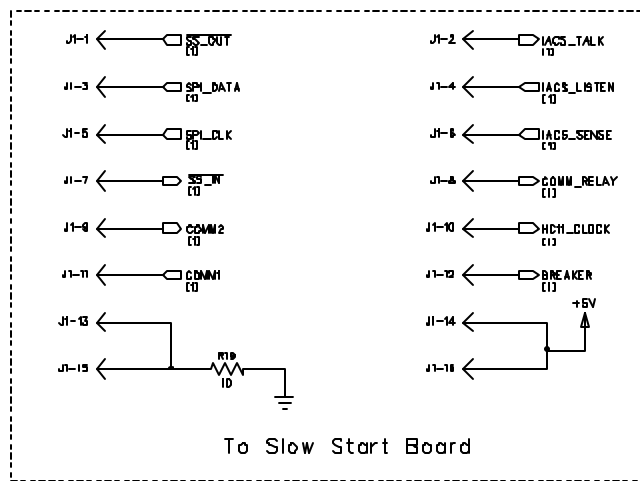
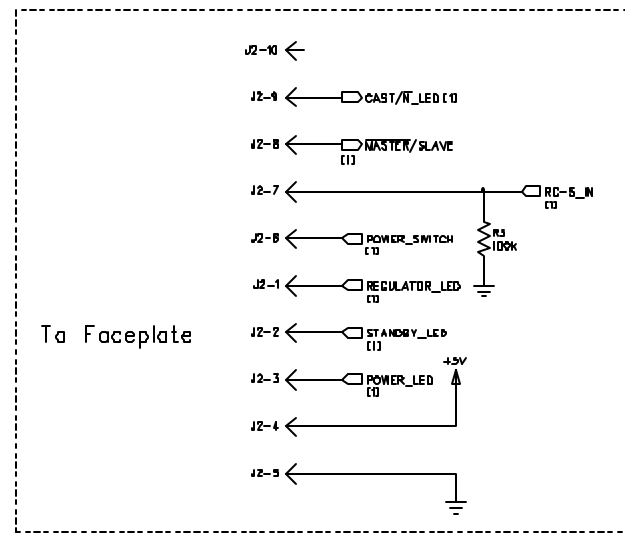
REVISION RECORD			KRELL Industries 19 High Street Worcester, ST 0600	
REV	COMMENTS	DATE	TITLE	REV
			FPB-300c & 600c DRIVER BOARD Bias & Aux. Circuitry	
			DRAWN BY: DSG	
			SIZE: D	
			DRAWING NO: 100-121-02	
			REV: A	
			DATE: 5-19-98	
			SHEET 4 OF 4	



RemoteLink Communication System



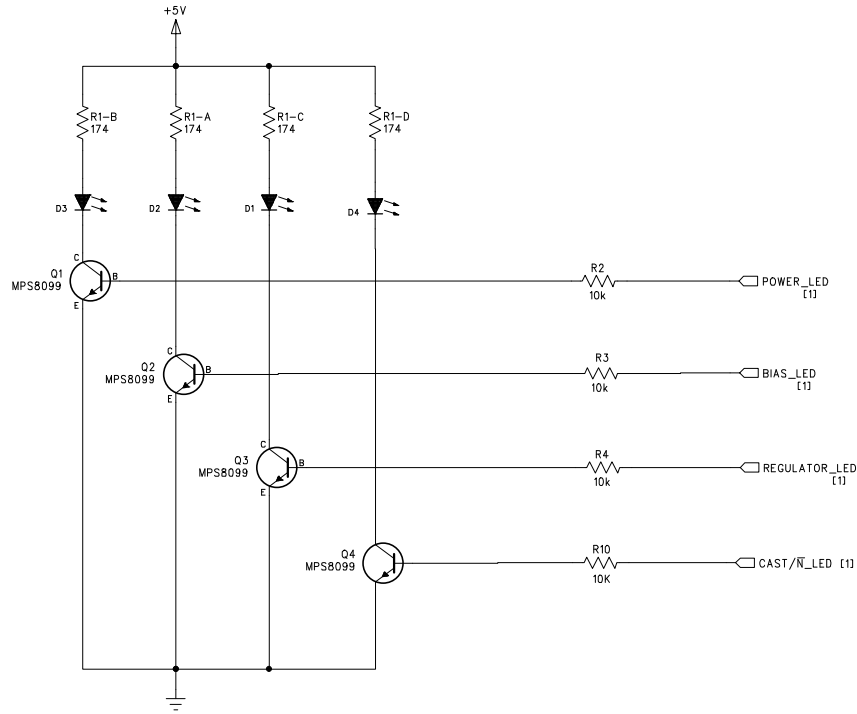
Revision Record		KRELL Industries 40 Cherry Road Orange, CT 06477		
D				
C				
B	Moved J6 on PCB. Removed deglitch resistor R32.	03-30-99	FPB-600c/650Mc Digital Board	
A	Added deglitch resistors R32, R35.	12-4-98		
	Chngd oper. of RL2 from open to short to gnd.		Drawn By: DJP	
	Chngd phase of signal from J3 to relays.			Drawing #: 100-122-03 REV B
	Added new transceiver circuitry U3, U4.			
	- Original Drawing	6-9-98	Sheet #: 1 of 2	Sheet Size D



Revision Record		KRELL Industries 40 Cherry Road Orange, CT 06477	
G		FPB 300e & 600e Digital Board Connectors	
F			
E			
D			
C			
B		Drawn By: DJP	Drawing #: 100-121-03
A		Sheet #:	2 of 2
- Original Drawing		6-9-98	Sheet Size D

6 5 4 3 2 1

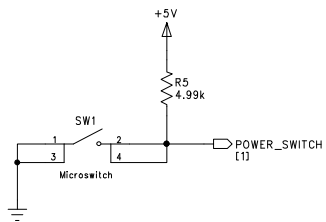
D



C

B

A

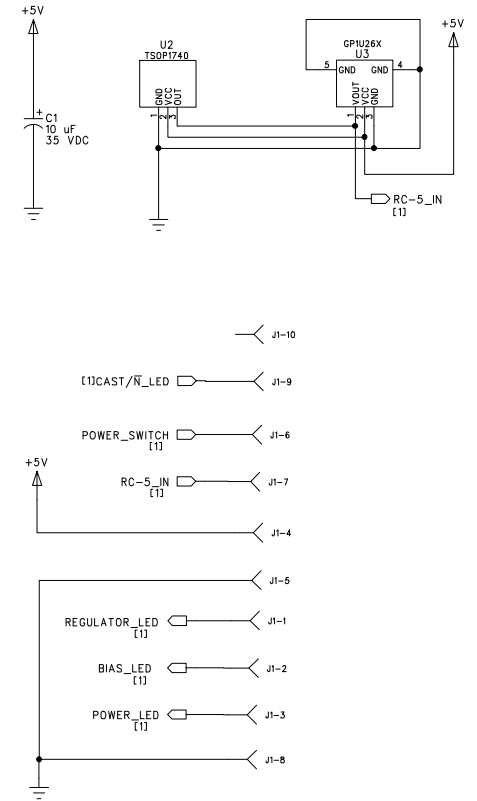


D

C

B

A



REVISION RECORD			KRELL Industries 45 Connair Drive Orange, CT 06477	
LTR	COMMENTS	DATE:	TITLE:	
			FPB-300c & 600c FACEPLATE BOARD	
			DRAWN BY:	SIZE:
			DJP	C
			DRAWING NO:	REV:
			100-121-04	A
B	Changed IR detector	4/00		
A	Moved conn J1 p10 to p9.	12/98		
-	Original Drawing	6/98	DATE: 06-17-98	SHEET: 1 of 1

6

5

4

3

2

1

D

D

C

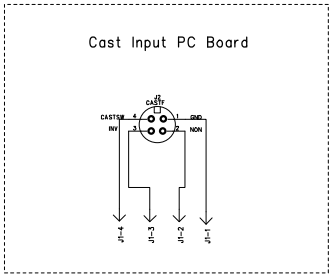
C

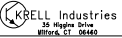
B

B

A

A



REVISION RECORD			 <small>30 Maple Drive Worcester, MA 01480</small>		
LR#	COMMENTS	DATE	TITLE:		
A	Changed detail on PC board.	07-30-98	FPB-300c & 600c Cast Board		
			DRAWN BY:	SIZE:	DRAWING NO:
			DJP	D	100-121-07
					REV:
					A
			DATE:	07-30-98	SHEET: 1 of 1